



sarens
group

www.sarens.com

CLIMBING SYSTEM

CS 600



CLIMBING SYSTEM : SWL 600 TONNES / TOWER – principle

nothing too heavy, nothing too high



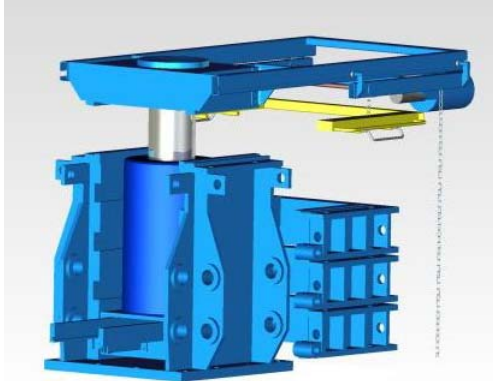


CLIMBING SYSTEM

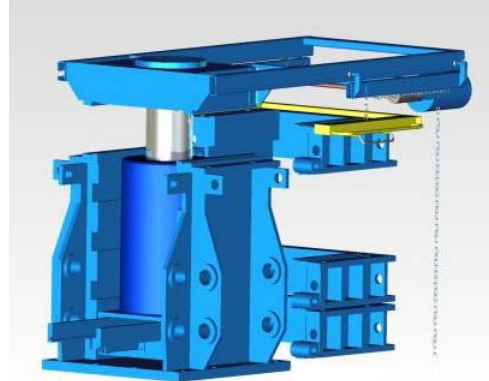
Werking
Fonctionnement

CS 600

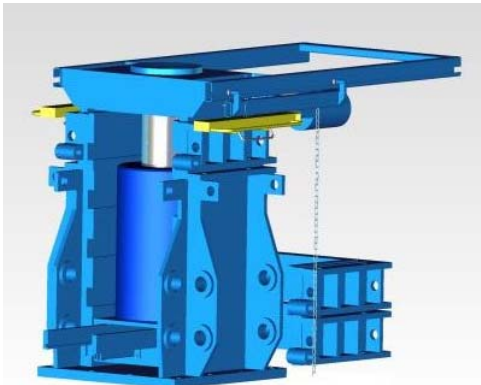
Operation
Betrieb



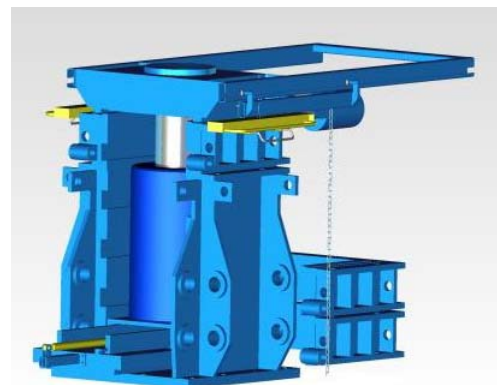
1. Cylinder pushes out. Lock plate is locked



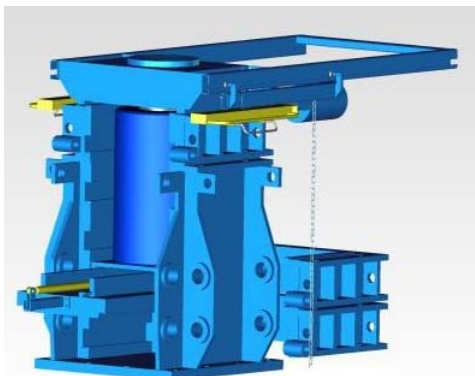
2. New element moves in.



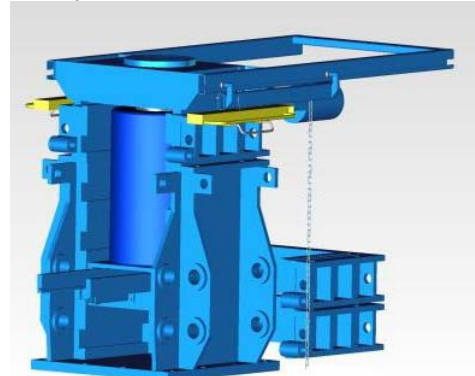
3. Element is locked



4. Lock plate unlocked



5. Cylinder retracted. Lock plate unlocked.



6. Lock plate locked.

nothing too heavy, nothing too high





CLIMBING SYSTEM

Werking
Fonctionnement

CS 600

Operation
Betrieb

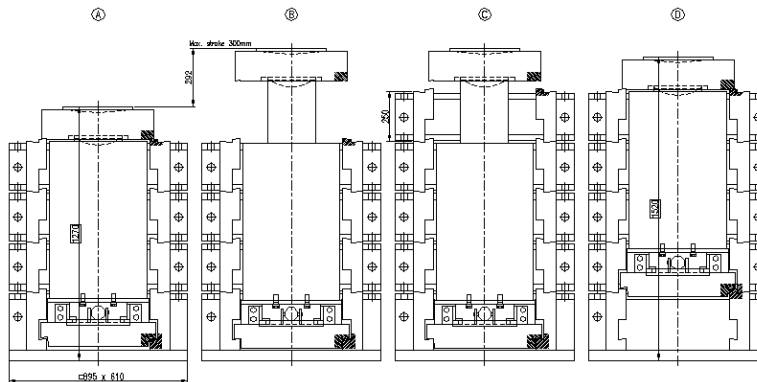


nothing too heavy, nothing too high

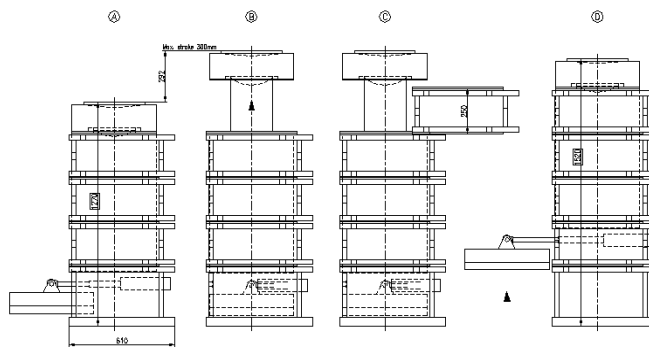




FRONT VIEW :



SIDE VIEW :



This climbing system has to be secured as from a certain height with bracings, so engineering will be necessary.

Lifting capacity per jack	600 Ton
Minimal Height :	1350 mm
Maximum stroke jack	300 mm
Height element :	250 mm
Weight element :	290/340 Kg
Working pressure	700 Bar
Power supply	Diesel/Electrisch

More information available on request.

