

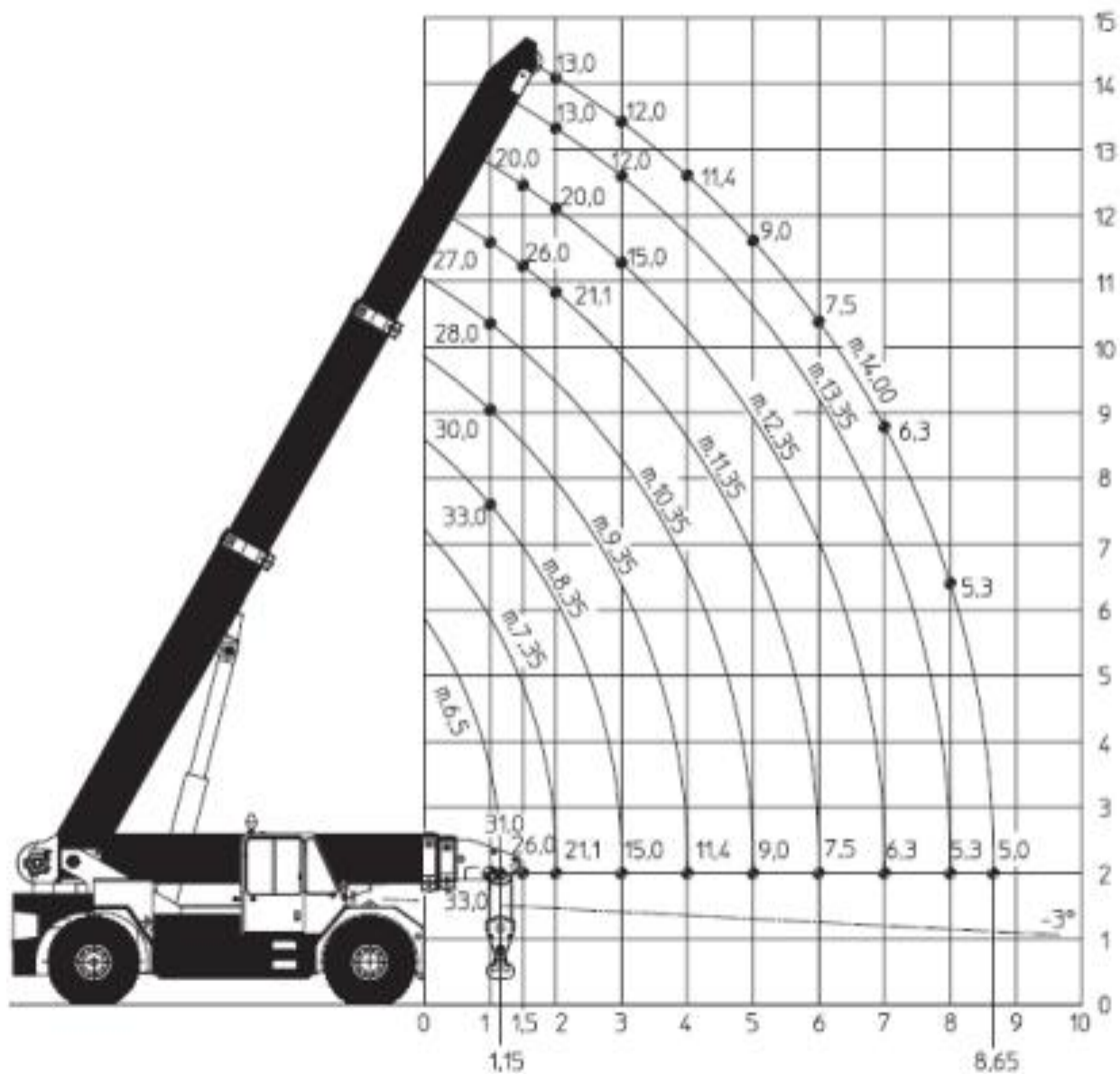


**sarens**  
group

[www.sarens.com](http://www.sarens.com)

**Ormig 33 tm E/L**

**33 ton**



nothing too heavy, nothing too high





# Ormig 33 tmE / L

Technical  
Technique

**33ton**

Technisch  
Technisch

Technical Features	
<b>Tyres</b>	<b>14.00-24</b>
<b>Lifting capacity at 1 m from front plate</b>	<b>DIN 33 t - SAE 36 t</b>
<b>Capacity of each tyre</b>	<b>max. static 18000 kg</b>
<b>Drive</b>	<b>Front</b>
<b>Power source</b>	<b>96 Volt 1400 Ah</b>
<b>Boom height</b>	<b>14,5 m</b>
<b>Electric motor</b>	<b>36 Kw</b>
<b>Hydraulic and services motor</b>	<b>26 Kw</b>
<b>Working outreach</b>	<b>8,65 m</b>
<b>Max. speed</b>	<b>8,45 Km/h</b>
<b>Boom angle</b>	<b>- 3° + 61°</b>

Other load charts are available on demand.

V.2012-07-12

nothing too heavy, nothing too high

