



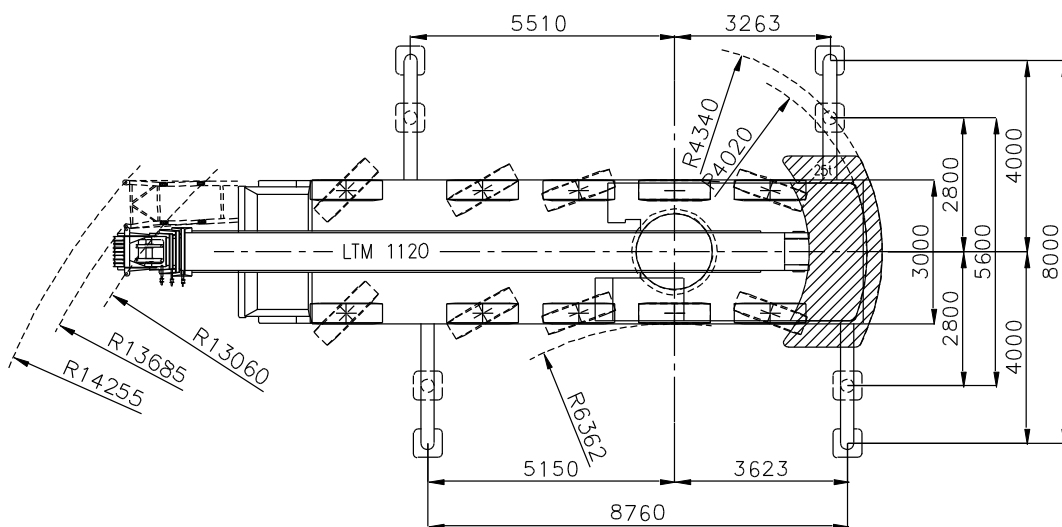
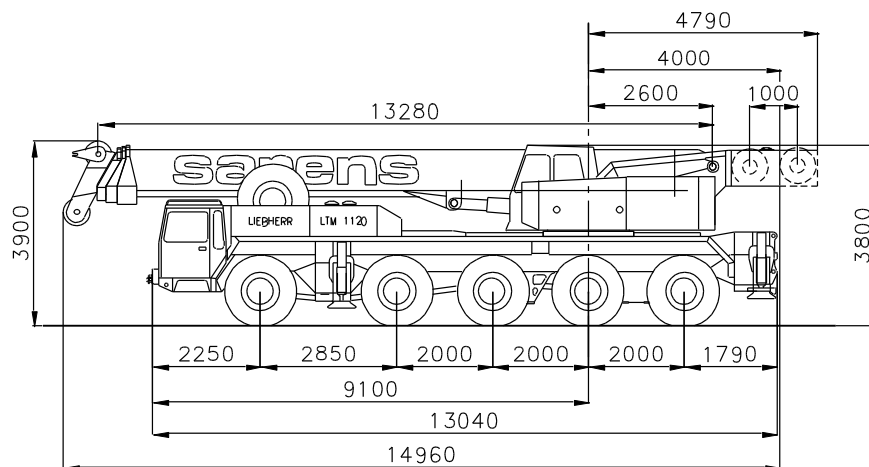
**sarens**  
group

[www.sarens.com](http://www.sarens.com)

**LIEBHERR LTM 1120**

**120 / 140 TON**

1/150



Axle load / Charge par essieu / Achslast / Aslast : 5 x 12 t (☐ 0 t)  
 Total weight / Poids total / Gesamtgewicht / Totaal gewicht : 60 t (☐ 0 t)

nothing too heavy, nothing too high





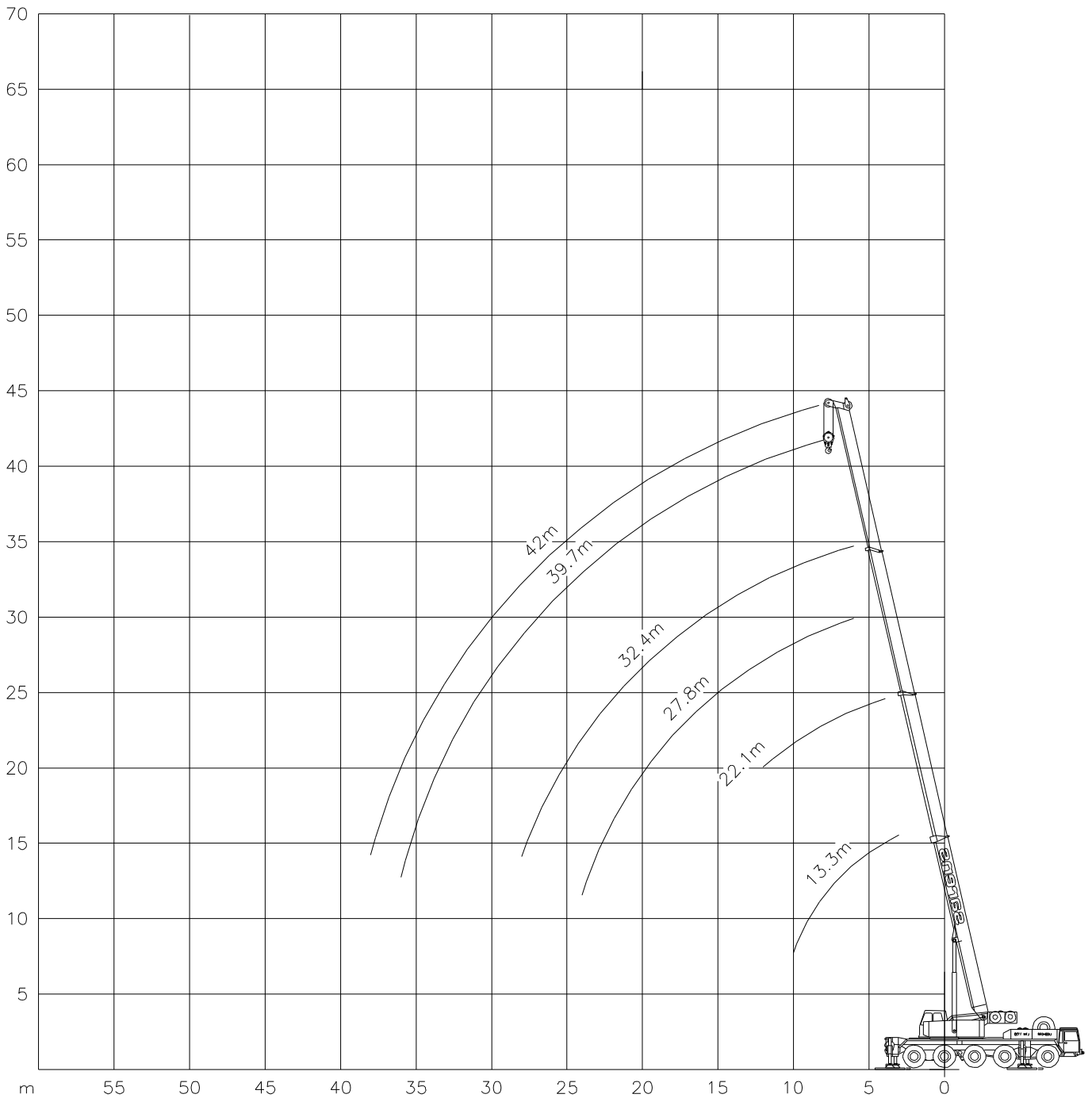
# LIEBHERR LTM 1120

## 120 / 140 TON

Working ranges  
Portées

Arbeitsbereiche  
Werkbereich

T



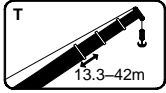


# LIEBHERR LTM 1120

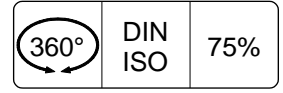
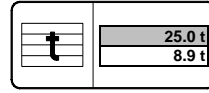
# 120 / 140 TON

Lifting capacities at mainboom  
Capacités à la fleche principale

Tragfähigkeiten am Hauptausleger  
Capaciteiten aan de hoofdgiëk



T



	13.3 m*	13.3 m	22.1 m	27.8 m	32.4 m	39.7 m	42.0 m	
m	t	t	t	t	t	t	t	m
3.0	120.0*	100.0	-	-	-	-	-	3.0
3.5	101.0*	93.0	-	-	-	-	-	3.5
4.0	89.0*	86.0	-	-	-	-	-	4.0
4.5	80.0*	78.0	64.0	-	-	-	-	4.5
5.0	72.0*	71.0	62.0	-	-	-	-	5.0
6.0	60.0*	60.0	56.0	40.5	32.5	-	-	6.0
7.0	52.0*	52.0	49.5	38.5	32.5	-	-	7.0
8.0	45.0*	45.0	43.0	36.0	31.0	21.0	19.0	8.0
9.0	40.0*	40.0	37.5	34.5	29.4	21.0	19.0	9.0
10.0	35.5*	35.5	33.5	32.5	27.8	20.8	18.7	10.0
12.0	-	-	26.9	27.2	24.8	19.0	17.8	12.0
14.0	-	-	22.3	22.2	22.1	17.1	16.8	14.0
16.0	-	-	20.2	18.6	18.9	15.5	14.8	16.0
18.0	-	-	17.1	15.3	15.6	14.1	13.4	18.0
20.0	-	-	-	12.7	13.0	12.8	12.2	20.0
22.0	-	-	-	10.6	10.9	11.2	11.0	22.0
24.0	-	-	-	9.0	9.5	9.6	9.5	24.0
26.0	-	-	-	-	9.0	8.4	8.3	26.0
28.0	-	-	-	-	8.6	7.3	7.2	28.0
30.0	-	-	-	-	-	6.4	6.3	30.0
32.0	-	-	-	-	-	5.6	5.6	32.0
34.0	-	-	-	-	-	4.8	4.9	34.0
36.0	-	-	-	-	-	4.2	4.2	36.0
38.0	-	-	-	-	-	-	3.6	38.0

\*Over rear / En arrière / Nach hinten / Over achterzijde

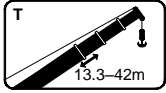


# LIEBHERR LTM 1120

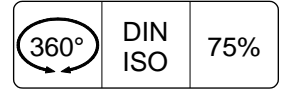
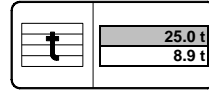
## 120 / 140 TON


Lifting capacities at mainboom  
Capacités à la fleche principale

Tragfähigkeiten am Hauptausleger  
Capaciteiten aan de hoofdgiëk



T



	13.3 m	22.1 m	27.8 m	32.4 m	39.7 m	42.0 m	
m	t	t	t	t	t	t	m
3.0	88.0	-	-	-	-	-	3.0
3.5	80.0	-	-	-	-	-	3.5
4.0	73.0	-	-	-	-	-	4.0
4.5	67.0	64.0	-	-	-	-	4.5
5.0	62.0	60.0	-	-	-	-	5.0
6.0	54.0	50.0	40.5	32.5	-	-	6.0
7.0	46.5	40.5	38.5	32.5	-	-	7.0
8.0	39.5	33.5	32.5	31.0	19.5	16	8.0
9.0	32.0	29.2	27.8	26.7	19.5	16	9.0
10.0	26.8	27.3	24.1	23.3	19.5	16	10.0
12.0	-	21.3	18.3	17.8	17.6	16	12.0
14.0	-	16.5	14.2	15.4	13.7	13.4	14.0
16.0	-	13.0	11.0	13.3	10.9	10.7	16.0
18.0	-	10.5	8.7	11.0	8.8	8.6	18.0
20.0	-	-	6.7	9.2	7.2	7.1	20.0
22.0	-	-	5.2	7.8	5.9	5.8	22.0
24.0	-	-	4.1	6.6	4.9	4.8	24.0
26.0	-	-	-	5.6	4.0	3.9	26.0
28.0	-	-	-	4.8	3.3	3.2	28.0
30.0	-	-	-	-	2.7	2.6	30.0
32.0	-	-	-	-	2.1	2.1	32.0
34.0	-	-	-	-	1.6	1.6	34.0
36.0	-	-	-	-	1.1	1.1	36.0
38.0	-	-	-	-	-	-	38.0



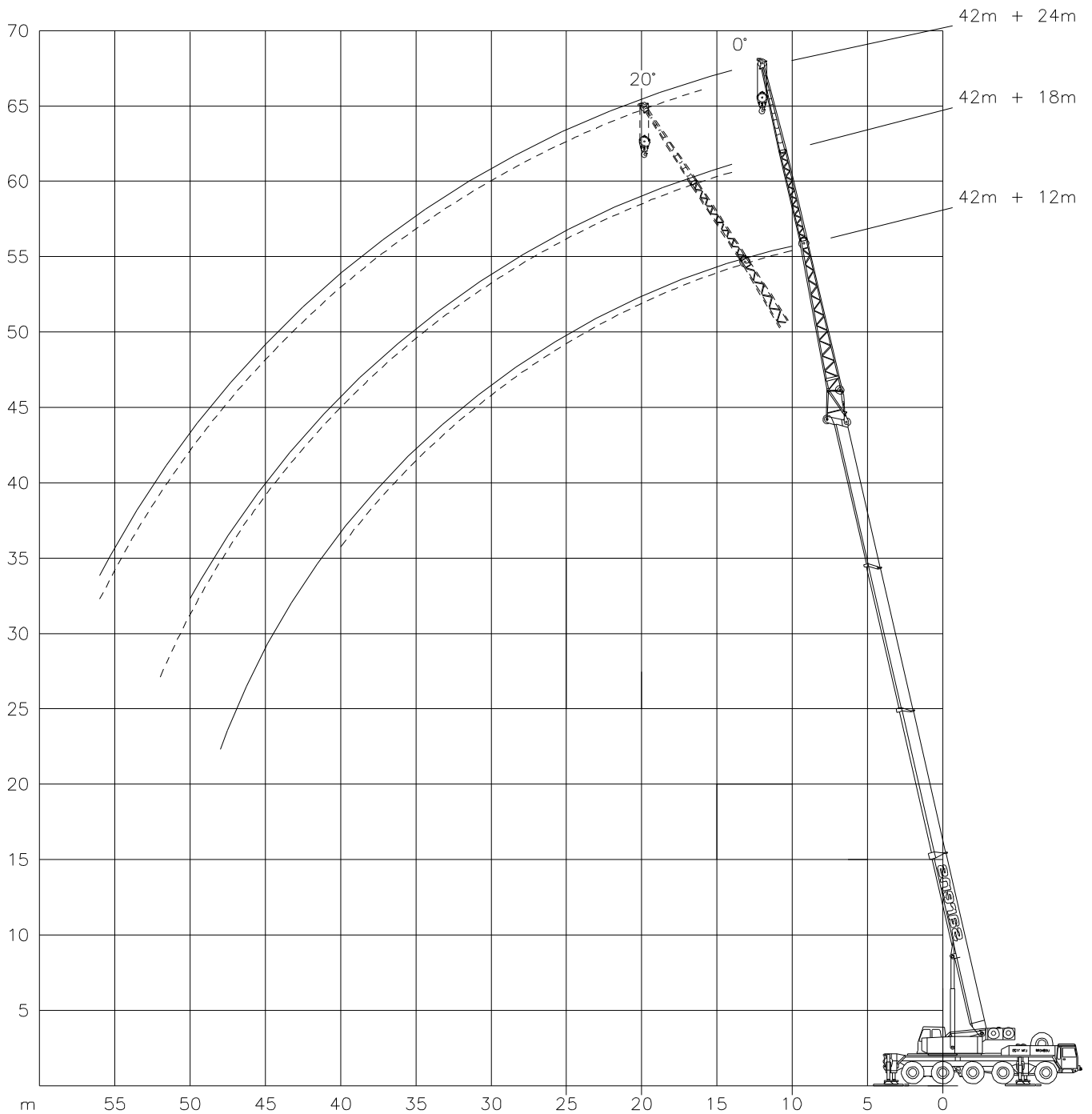
# LIEBHERR LTM 1120

## 120 / 140 TON

Working ranges  
Portées

Arbeitsbereiche  
Werkbereich

TK



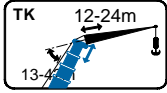


# LIEBHERR LTM 1120

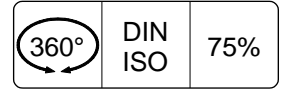
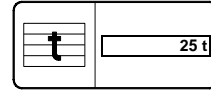
# 120 / 140 TON

Lifting capacities at folding jib  
Capacités à la fléchette pliante

Tragfähigkeiten an der Klappspitze  
Capaciteiten aan de klappjib



TK



m	33.7 m		39.7 m						42 m						m
	12 m		12 m		18 m		24 m		12 m		18 m		24 m		
	0°	20°	0°	20°	0°	20°	0°	20°	0°	20°	0°	20°	0°	20°	
9	13.2	8.2	-	-	-	-	-	-	-	-	-	-	-	-	9
10	12.9	7.8	9.8	7.2	-	-	-	-	8.2	6.1	-	-	-	-	10
12	12.5	7.3	9.6	6.7	6.2	5.2	-	-	8.1	5.7	-	-	-	-	12
14	11.3	6.8	9.4	6.3	6.1	4.9	4.5	-	8.0	5.4	5.7	4.3	4.3	-	14
16	10.1	6.4	9.2	6.0	6.0	4.7	4.5	3.7	7.8	5.1	5.7	4.1	4.2	3.4	16
18	9.2	6.1	9.0	5.6	5.9	4.5	4.5	3.6	7.4	4.8	5.6	3.8	4.1	3.2	18
20	8.4	5.7	8.3	5.4	5.8	4.3	4.4	3.5	7.0	4.6	5.4	3.7	4.1	3.0	20
22	7.6	5.5	7.6	5.2	5.7	4.2	4.2	3.4	6.6	4.4	5.1	3.5	4.0	2.9	22
24	7.1	5.2	7.0	5.0	5.5	4.0	4.1	3.3	6.1	4.2	4.8	3.4	4.0	2.8	24
26	6.5	5.0	6.5	4.8	5.1	3.8	3.9	3.2	5.7	4.0	4.5	3.2	3.8	2.6	26
28	6.1	4.9	6.1	4.6	4.8	3.7	3.8	3.1	5.3	3.9	4.3	3.1	3.6	2.5	28
30	5.7	4.8	5.7	4.4	4.6	3.5	3.7	2.9	5.0	3.8	4.1	3.0	3.4	2.4	30
32	5.4	4.7	5.4	4.3	4.4	3.4	3.5	2.8	4.7	3.7	3.8	2.9	3.2	2.3	32
34	4.9	4.6	4.9	4.1	4.2	3.3	3.4	2.7	4.4	3.6	3.6	2.8	3.0	2.2	34
36	4.3	4.5	4.4	4.0	4.0	3.2	3.3	2.7	4.1	3.6	3.4	2.7	2.9	2.1	36
38	3.8	-	3.9	3.9	3.8	3.1	3.2	2.6	3.6	3.5	3.3	2.6	2.7	2.0	38
40	3.4	-	3.4	-	3.5	3.0	3.1	2.5	3.2	3.3	3.1	2.5	2.6	2.0	40
42	3.0	-	3.0	-	3.1	2.9	2.9	2.4	2.9	-	3.0	2.4	2.5	2.0	42
44	-	-	2.7	-	2.8	2.8	2.8	2.4	2.5	-	2.7	2.3	2.3	1.9	44
46	-	-	2.4	-	2.5	2.7	2.6	2.3	2.2	-	2.4	2.2	2.2	1.8	46
48	-	-	2.1	-	2.2	2.4	2.3	2.2	2.0	-	2.1	2.1	2.1	1.8	48
50	-	-	-	-	2.0	-	2.0	2.2	-	-	1.9	2.0	1.9	1.7	50
52	-	-	-	-	-	-	1.8	2.1	-	-	1.6	-	1.7	1.6	52
54	-	-	-	-	-	-	1.6	1.8	-	-	-	-	1.5	1.6	54
56	-	-	-	-	-	-	-	-	-	-	-	-	1.3	1.5	56

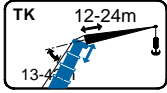


# LIEBHERR LTM 1120

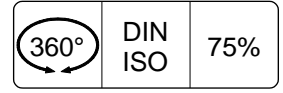
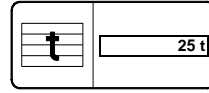
# 120 / 140 TON



Lifting capacities at folding jib  
Capacités à la fléchette pliante

Tragfähigkeiten an der Klappspitze  
Capaciteiten aan de klapjib



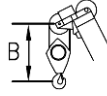
TK



	33.7 m		39.7 m								42 m					
	12 m		12 m		18 m		24 m		12 m		18 m		24 m			
	0°	20°	0°	20°	0°	20°	0°	20°	0°	20°	0°	20°	0°	20°		
m	t	t	t	t	t	t	t	t	t	t	t	t	t	t	t	m
9	12.5	8.2	-	-	-	-	-	-	-	-	-	-	-	-	-	9
10	12.5	7.8	9.3	7.2	-	-	-	-	7.7	6.1	-	-	-	-	-	10
12	12.5	7.3	9.3	6.7	5.8	5.2	-	-	7.7	5.7	-	-	-	-	-	12
14	11.3	6.8	9.3	6.3	5.8	4.9	4.2	-	7.7	5.4	5.3	4.3	4.0	-	-	14
16	10.1	6.4	9.2	6.0	5.8	4.7	4.2	3.7	7.7	5.1	5.3	4.1	4.0	3.4	-	16
18	8.6	6.1	8.2	5.6	5.8	4.5	4.2	3.6	7.4	4.8	5.3	3.8	4.0	3.2	-	18
20	7.1	5.7	6.8	5.4	5.8	4.3	4.2	3.5	6.3	4.6	5.3	3.7	4.0	3.0	-	20
22	5.9	5.5	5.7	5.2	5.5	4.2	4.2	3.4	5.3	4.4	5.1	3.5	4.0	2.9	-	22
24	5.0	5.2	4.7	5.0	4.7	4.0	4.1	3.3	4.4	4.2	4.5	3.4	4.0	2.8	-	24
26	4.1	4.6	4.0	4.5	3.9	3.8	3.9	3.2	3.7	4.0	3.8	3.2	3.7	2.6	-	26
28	3.5	3.9	3.3	3.8	3.3	3.7	3.3	3.1	3.0	3.5	3.2	3.1	3.2	2.5	-	28
30	2.9	3.2	2.7	3.1	2.8	3.4	2.8	2.9	2.5	2.9	2.6	3.0	2.7	2.4	-	30
32	2.4	2.7	2.3	2.6	2.3	2.9	2.4	2.8	2.0	2.4	2.2	2.8	2.2	2.3	-	32
34	1.9	2.2	1.8	2.1	1.9	2.4	2.0	2.7	1.6	2.0	1.8	2.3	1.8	2.2	-	34
36	1.6	1.8	1.5	1.7	1.6	2.0	1.6	2.3	1.3	1.6	1.4	1.9	1.5	2.1	-	36
38	1.2	-	1.1	1.4	1.3	1.7	1.3	1.9	1.0	1.2	1.1	1.6	1.2	1.8	-	38
40	-	-	-	-	1.0	1.4	1.1	1.6	-	-	-	1.2	-	1.5	-	40
42	-	-	-	-	-	1.1	-	1.3	-	-	-	1.0	-	1.2	-	42
44	-	-	-	-	-	-	-	1.0	-	-	-	-	-	-	-	44



**Hook Block / Crane hook**  
**Crochet mouflé / Crochet simple**



**Unterflasche / Hakengehänge**  
**Kraanblok / Kraanhaak**

Capacity Capacité Tragfähigkeit Capaciteit	Number of sheaves Nombre de poulies Anzahl der Rollen Aantal schijven	Number of lines Nombre de brins Strangzahl Aantal parten	Weight Poids Gewicht Gewicht	"B"
SWL 100 t	7	14	980 kg	2.4 m
SWL 80 t	5	11	880 kg	2.4 m
SWL 50 t	3	7	520 kg	2.4 m
SWL 25 t	1	3	400 kg	2.4 m
SWL 8 t	-	1	190 kg	2.0 m