

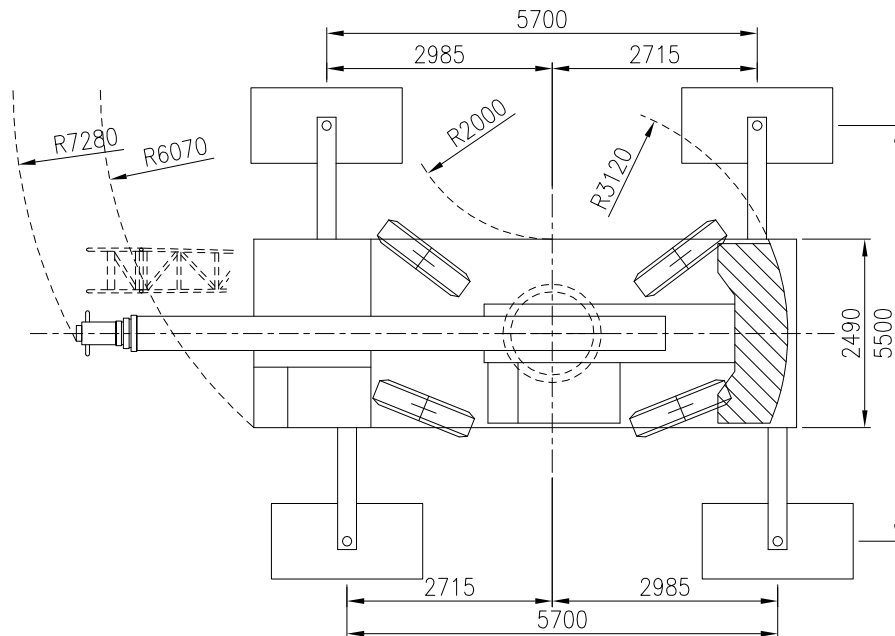
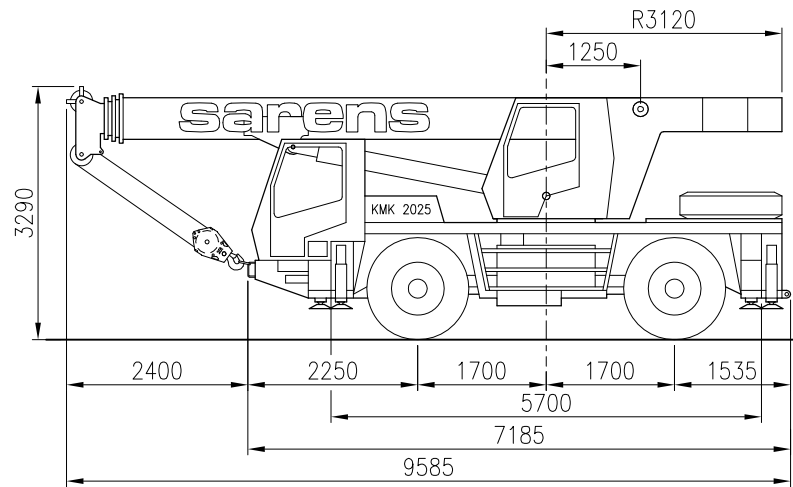


sarens
group

www.sarens.com

KRUPP KMK 2025

25 TON



Axle load / Charge par essieu / Achslast / Aslast	:	2 x 12 t	(☐ 5.1 t)
Total weight / Poids total / Gesamtgewicht / Totaal gewicht	:	24 t	(☐ 5.1 t)

nothing too heavy, nothing too high





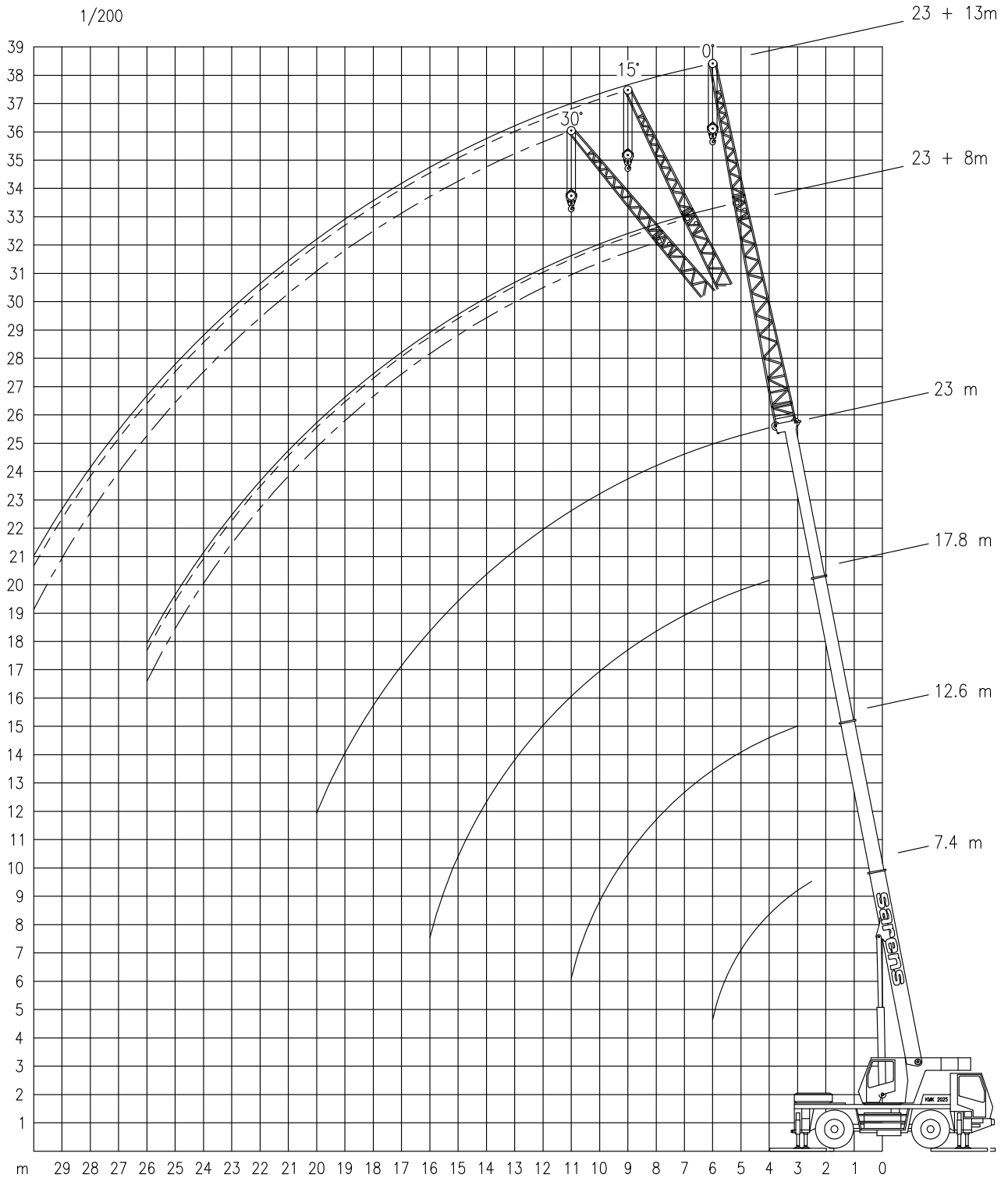
KRUPP KMK 2025

Working ranges
Portées

25 TON

Arbeitsbereiche
Werkbereich

T + TK



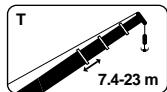


KRUPP KMK 2025

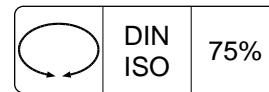
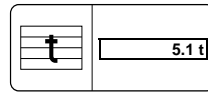
25 TON

Lifting capacities
Capacités

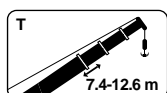
Tragfähigkeiten
Capacités



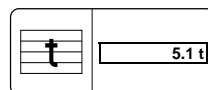
T



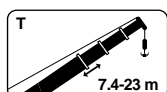
m	360°				±30° !*			
	7.4 m	12.6 m	17.8 m	23.0 m	7.4 m	12.6 m	17.8 m	23.0 m
2.5	25.0	-	-	-	25.0	-	-	-
3.0	22.0	18.0	-	-	23.5	18.0	-	-
4.0	18.1	18.0	9.5	9.0	19.3	18.0	9.5	9.0
5.0	15.2	15.1	9.5	9.0	15.8	15.8	9.5	9.0
6.0	12.4	12.4	9.5	8.7	12.9	12.8	9.5	8.7
7.0	-	10.3	9.5	7.9	-	10.8	9.5	7.9
8.0	-	9.0	8.6	7.3	-	9.4	9.2	7.3
9.0	-	7.3	6.9	6.7	-	8.1	7.7	6.7
10.0	-	6.1	5.7	6.1	-	6.8	6.4	6.2
11.0	-	5.1	4.9	5.2	-	5.7	5.4	5.8
12.0	-	-	4.5	4.4	-	-	4.6	5.0
13.0	-	-	4.2	3.8	-	-	4.2	4.3
14.0	-	-	3.7	3.4	-	-	3.9	3.8
15.0	-	-	3.3	2.9	-	-	3.7	3.4
16.0	-	-	2.9	2.6	-	-	3.3	3.0
18.0	-	-	-	2.0	-	-	-	2.4
20.0	-	-	-	1.6	-	-	-	1.9



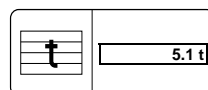
T



m	7.4 m		12.6 m	
	360°	0° !**	360°	0° !**
3.0	8.0	9.0	8.0	9.0
4.0	6.6	9.0	6.8	9.0
5.0	4.8	7.6	5.0	7.7
6.0	3.6	5.9	3.8	6.1
7.0	-	-	2.9	4.7
8.0	-	-	2.3	3.8
9.0	-	-	1.9	3.1
10.0	-	-	1.5	2.6
11.0	-	-	1.2	2.2



T (Tele)



m	7.4 m – 9.8 m !*	9.8 m – 12.6 m !*	12.6 m – 15.2 m !*	15.2 m – 17.8 m !*	12.6 m - 17.8 m !*	17.8m – 23.0 m !*
	t	t	t	t	t	t
2.5	17.0	17.0	-	-	-	-
3.0	17.0	17.0	9.5	9.5	9.5	-
4.0	16.0	16.0	9.5	9.5	9.5	9.0
5.0	13.7	13.7	9.5	9.5	9.5	9.0
6.0	11.2	11.2	9.5	9.5	9.5	8.2
7.0	9.8	9.8	9.2	9.2	9.2	7.5
8.0	7.8	7.8	8.0	8.0	7.7	6.9
9.0	-	6.2	6.4	6.4	6.1	6.4
10.0	-	5.1	5.3	5.3	5.0	5.3
11.0	-	4.3	4.4	4.4	4.2	4.4
12.0	-	-	3.6	3.6	3.5	3.7
13.0	-	-	3.1	3.1	3.0	3.2
14.0	-	-	-	2.7	2.6	2.8
15.0	-	-	-	2.3	2.3	2.4
16.0	-	-	-	2.0	2.0	2.0
18.0	-	-	-	-	-	1.6
20.0	-	-	-	-	-	1.3

!* Over rear / En arrière / Nach hinten / Over achterzijde

!** Over rear & front / En arrière & avant / Nach hinten & vorne / Over achterzijde & voorzijde

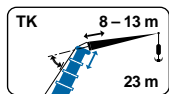


KRUPP KMK 2025

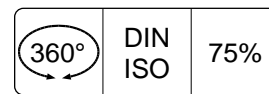
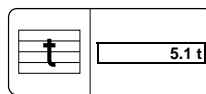
25 TON

Lifting capacities
Capacités

Tragfähigkeiten
Capacités



TK

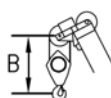


m	23.0 m					
	8.0 m			13.0 m		
	0°	15°	30°	0°	15°	30°
	t	t	t	t	t	t
6.0	3.0	-	-	-	-	-
7.0	3.0	-	-	-	-	-
8.0	3.0	-	-	2.2	-	-
9.0	3.0	2.8	-	2.2	-	-
10.0	3.0	2.8	-	2.2	-	-
11.0	3.0	2.8	2.5	2.2	1.9	-
12.0	2.8	2.8	2.4	2.2	1.8	-
13.0	2.6	2.8	2.3	2.2	1.8	-
14.0	2.4	2.7	2.2	2.1	1.7	1.5
15.0	2.3	2.5	2.1	2.1	1.6	1.5
16.0	2.2	2.2	2.0	2.0	1.6	1.4
18.0	2.0	1.9	1.9	1.8	1.5	1.3
20.0	1.6	1.7	1.7	1.6	1.4	1.2
22.0	1.3	1.4	1.4	1.4	1.3	1.1
24.0	1.0	1.1	1.1	1.1	1.2	1.1
26.0	0.8	0.8	0.8	0.9	1.0	1.1
28.0	-	-	-	0.7	0.8	0.8
30.0	-	-	-	0.5	0.6	0.6

Working speeds Vitesses de travail

Arbeitsgeschwindigkeiten Werksnelheden

Mechanisms Mécanismes Antriebe Aandrijvingen	Speeds Vitesses Geschwindigkeiten Snelheden	Rope diameter Diamètre du câble Seildurchmesser Kabeldiameter	Single line pull Effort sur brin simple Zulässiger Seilzug je strang Toegelaten trekkracht / part	Length of ropes Longueur des cables Länge der Seile Kabellengte
Main hoist Levage sur flèche Hubwerk 1 Hijslier 1	0 – 130 m/min	13 mm	29 kN	135 m
Slewing gear Orientation Drehwerk Zwenkwerk	0 – 3 RPM			
Travel speed Vitesse sur route Fahrgeschwindigkeit Rijsnelheid	0 – 78 km/h			



Hook block/Crane hook Crochet-mouflé/Crochet simple

Unterflasche/Hakengehänge Kraanblok/Kraanhaak

Capacity / Capacité Tragfähigkeit / Capaciteit	Number of sheaves / Nombre de poulies Anzahl der Rollen / Aantal schijven	Number of lines / Nombre de brins Strangzahl / Aantal parten	Weight / Poids Gewicht / Gewicht	"B"
SWL 20 t	3	7	250 kg	1.3 m
SWL 9 t	1	3	120 kg	1.3 m