

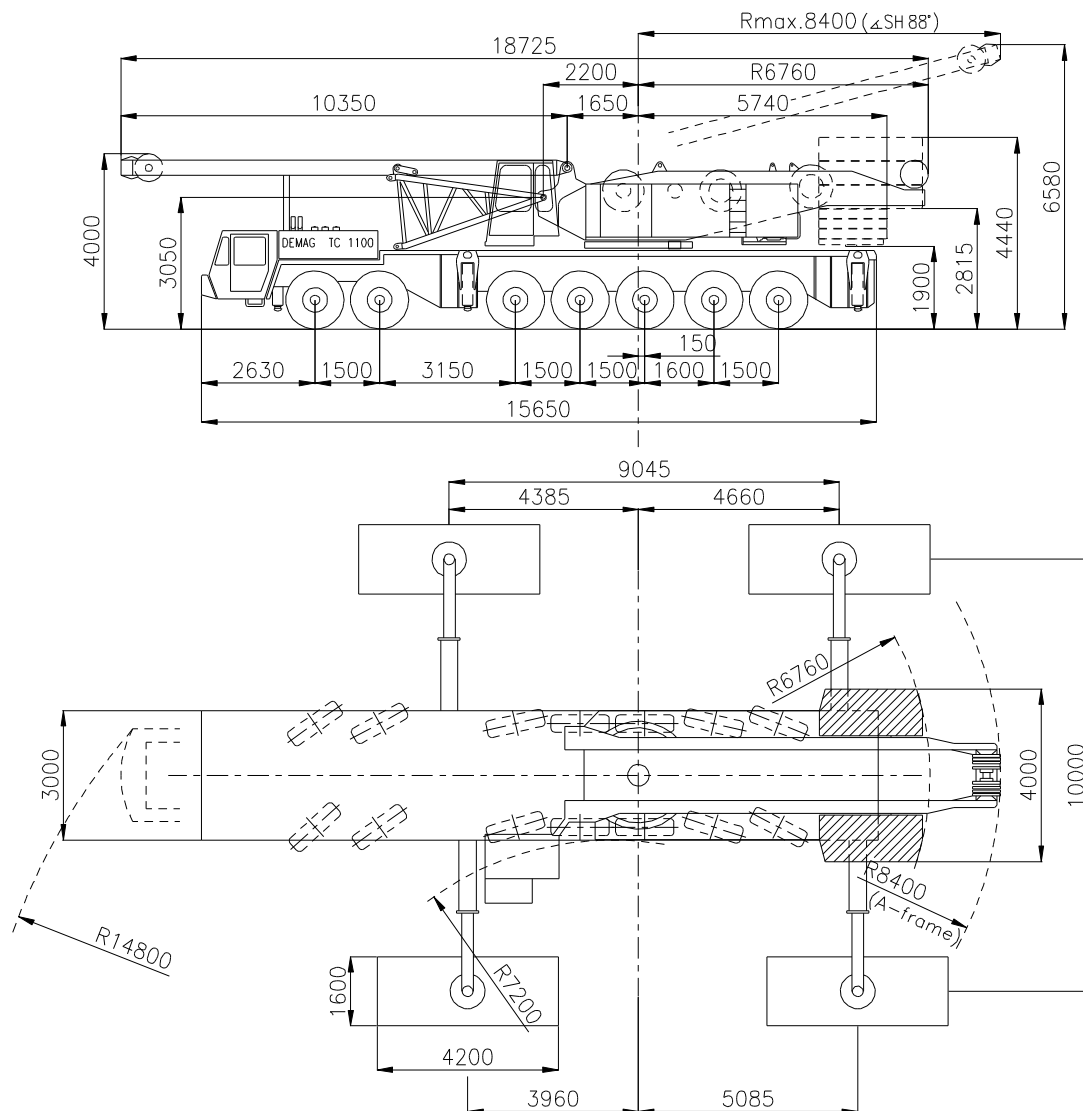


sarens
group

www.sarens.com

TEREX TC 1100

250 TON



Aslast / Charge par essieu / Axle-load / Achslast : 7 x 12 t
 Total gewicht / Poids total / Total weight / Gesamtgewicht : 84 t

(= 0 t)
 (= 0 t)

nothing too heavy, nothing too high





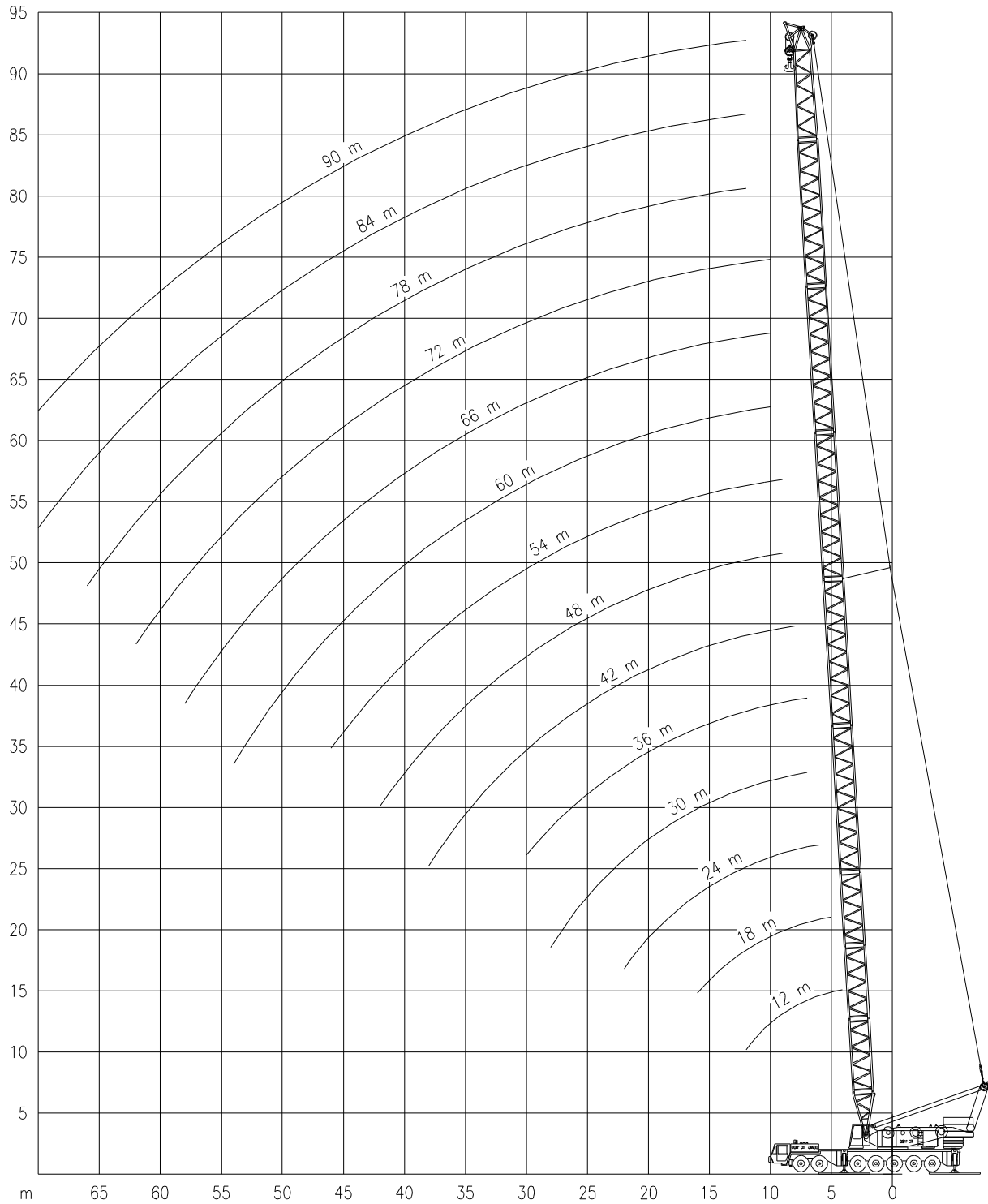
TEREX TC 1100

Working ranges
Portées

250 TON

Arbeitsbereiche
Werkbereich

LH



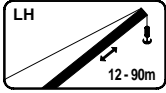


TEREX TC 1100

Lifting capacities
Capacités

250 TON

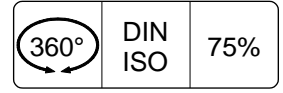
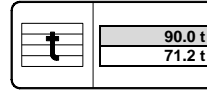
Tragfähigkeiten
Capacités



LH



10 m



m	12m	18m	24m	30m	36m	42m	48m	54m	60m	66m	72m	78m	84 m	90m
	t	t	t	t	t	t	t	t	t	t	t	t	t	t
4.0	220.0	-	-	-	-	-	-	-	-	-	-	-	-	-
4.5	200.0	-	-	-	-	-	-	-	-	-	-	-	-	-
5.0	186.0	180.0	-	-	-	-	-	-	-	-	-	-	-	-
5.5	175.0	170.0	-	-	-	-	-	-	-	-	-	-	-	-
6.0	166.0	162.0	145.0	-	-	-	-	-	-	-	-	-	-	-
7.0	150.0	146.0	136.0	125.0	115.0	-	-	-	-	-	-	-	-	-
8.0	137.0	133.0	128.0	120.0	111.0	100.0	-	-	-	-	-	-	-	-
9.0	122.0	107.0	120.0	114.0	107.0	98.0	92.0	85.0	-	-	-	-	-	-
10.0	108.0	88.0	107.0	106.0	102.0	95.0	90.0	84.0	75.0	65.0	55.0	-	-	-
12.0	89.0	74.0	87.0	86.0	85.0	85.0	84.0	81.0	73.0	65.0	55.0	45.0	38.0	32.0
14.0	-	64.0	74.0	73.0	72.0	71.0	70.0	70.0	69.0	64.0	55.0	45.0	38.0	32.0
16.0	-	57.0	63.0	63.0	62.0	61.0	60.0	60.0	59.0	59.0	54.0	45.0	38.0	32.0
18.0	-	-	56.0	55.0	54.0	53.0	52.0	52.0	51.0	51.0	50.0	45.0	38.0	32.0
20.0	-	-	50.0	49.0	48.0	47.0	46.0	46.0	45.0	45.0	44.0	44.0	38.0	32.0
22.0	-	-	45.0	44.0	43.0	42.0	41.0	41.0	40.0	40.0	39.0	39.0	38.0	32.0
24.0	-	-	-	40.0	39.0	38.0	37.0	37.0	35.0	35.0	35.0	34.0	34.0	31.0
26.0	-	-	-	36.0	35.0	34.0	33.0	33.0	32.0	32.0	31.0	31.0	30.0	30.0
28.0	-	-	-	33.0	32.0	31.0	30.0	30.0	29.0	29.0	28.0	28.0	27.0	27.0
30.0	-	-	-	-	29.0	29.0	28.0	27.0	26.0	26.0	26.0	25.0	25.0	24.0
34.0	-	-	-	-	-	24.0	23.0	23.0	22.0	22.0	21.0	21.0	20.0	20.0
38.0	-	-	-	-	-	21.0	20.0	19.0	19.0	18.0	18.0	17.0	17.0	16.0
42.0	-	-	-	-	-	-	17.0	17.0	16.0	15.0	15.0	15.0	14.0	13.0
46.0	-	-	-	-	-	-	-	14.0	14.0	13.0	13.0	12.0	12.0	11.0
50.0	-	-	-	-	-	-	-	-	12.0	11.0	11.0	10.0	10.0	9.4
54.0	-	-	-	-	-	-	-	-	10.0	10.0	10.0	9.1	8.4	8.0
58.0	-	-	-	-	-	-	-	-	-	9.0	8.2	7.7	7.0	6.6
62.0	-	-	-	-	-	-	-	-	-	-	7.0	6.5	5.8	5.3
66.0	-	-	-	-	-	-	-	-	-	-	-	5.4	4.8	4.2
70.0	-	-	-	-	-	-	-	-	-	-	-	-	3.9	3.2

m	12m	18m	24m	30m	36m	42m	48m	54m	60m	66m	72m	78m	84 m	90m
	t	t	t	t	t	t	t	t	t	t	t	t	t	t
4.5	170.0	-	-	-	-	-	-	-	-	-	-	-	-	-
5.0	168.0	168.0	-	-	-	-	-	-	-	-	-	-	-	-
5.5	157.0	157.0	-	-	-	-	-	-	-	-	-	-	-	-
6.0	151.0	151.0	145.0	-	-	-	-	-	-	-	-	-	-	-
7.0	141.0	139.0	136.0	125.0	115.0	-	-	-	-	-	-	-	-	-
8.0	127.0	125.0	124.0	120.0	111.0	100.0	-	-	-	-	-	-	-	-
9.0	115.0	113.0	112.0	111.0	107.0	98.0	92.0	85.0	-	-	-	-	-	-
10.0	105.0	103.0	102.0	101.0	100.0	95.0	90.0	84.0	75.0	65.0	55.0	-	-	-
12.0	89.0	88.0	87.0	86.0	85.0	85.0	84.0	81.0	73.0	65.0	55.0	45.0	-	-
14.0	-	74.0	74.0	73.0	72.0	71.0	70.0	70.0	69.0	64.0	55.0	45.0	-	-
16.0	-	64.0	63.0	63.0	62.0	61.0	60.0	60.0	59.0	59.0	54.0	45.0	-	-
18.0	-	56.0	56.0	55.0	54.0	53.0	52.0	52.0	51.0	51.0	50.0	45.0	-	-
20.0	-	-	47.0	47.0	46.0	45.0	45.0	44.0	44.0	43.0	43.0	42.0	-	-
22.0	-	-	41.0	40.0	40.0	39.0	38.0	38.0	38.0	37.0	37.0	36.0	-	-
24.0	-	-	-	36.0	35.0	34.0	33.0	33.0	33.0	32.0	32.0	31.0	-	-
26.0	-	-	-	32.0	31.0	30.0	29.0	29.0	29.0	28.0	28.0	27.0	-	-
28.0	-	-	-	29.0	28.0	27.0	26.0	26.0	26.0	25.0	25.0	24.0	-	-
30.0	-	-	-	-	25.0	25.0	24.0	23.0	23.0	22.0	22.0	21.0	-	-
34.0	-	-	-	-	-	20.0	19.0	19.0	19.0	18.0	17.0	16.0	-	-
38.0	-	-	-	-	-	17.0	16.0	16.0	15.0	15.0	14.0	13.0	-	-
42.0	-	-	-	-	-	-	14.0	13.0	12.0	12.0	11.0	11.0	-	-
46.0	-	-	-	-	-	-	-	11.0	10.0	10.0	9.5	8.8	-	-
50.0	-	-	-	-	-	-	-	-	8.9	8.2	7.7	7.0	-	-
54.0	-	-	-	-	-	-	-	-	7.5	6.7	6.2	5.5	-	-
58.0	-	-	-	-	-	-	-	-	-	5.5	5.0	4.3	-	-
62.0	-	-	-	-	-	-	-	-	-	-	3.9	3.2	-	-
66.0	-	-	-	-	-	-	-	-	-	-	-	2.3	-	-



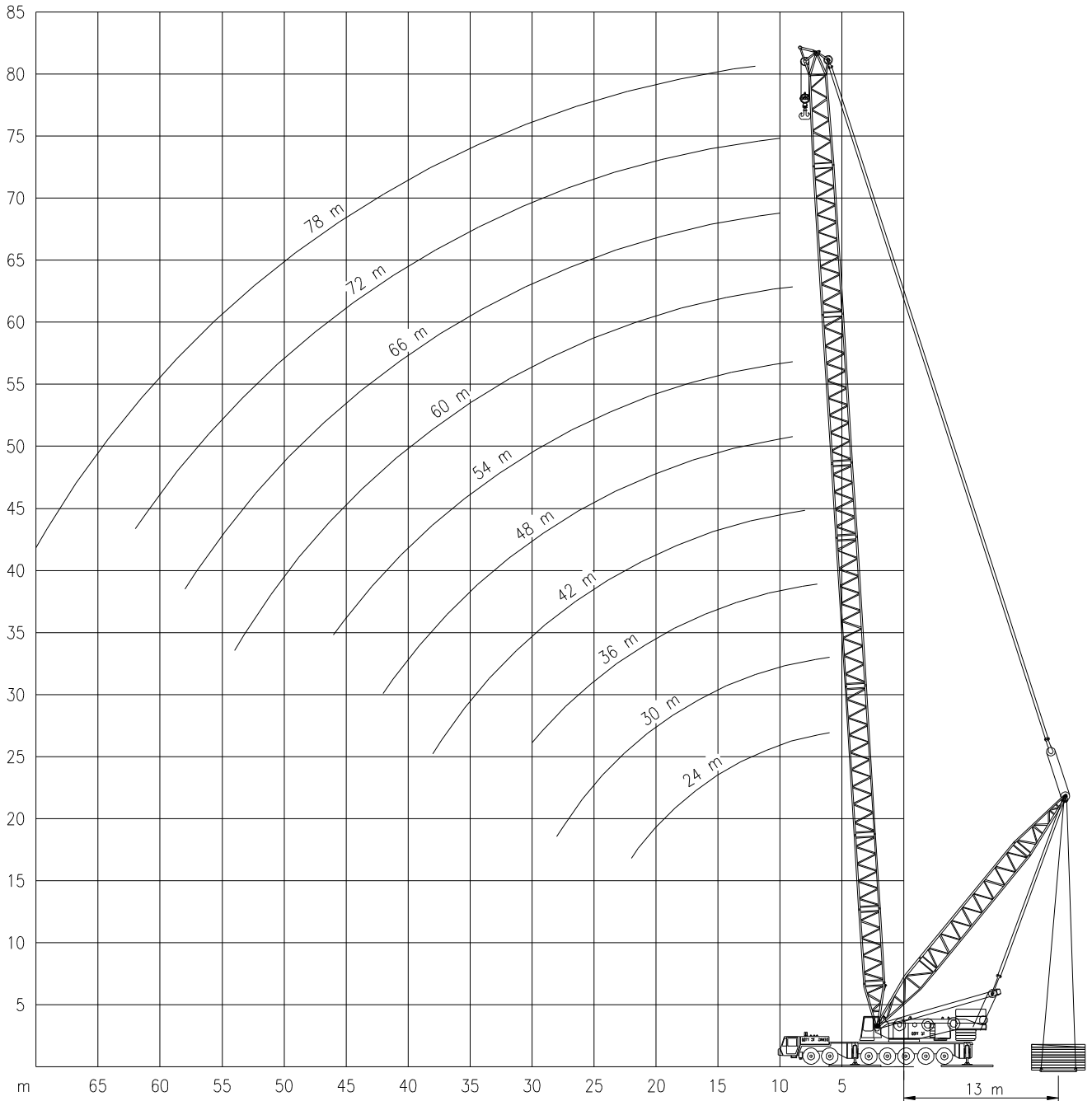
TEREX TC 1100

Working ranges
Portées

250 TON

Arbeitsbereiche
Werkbereich

LSL





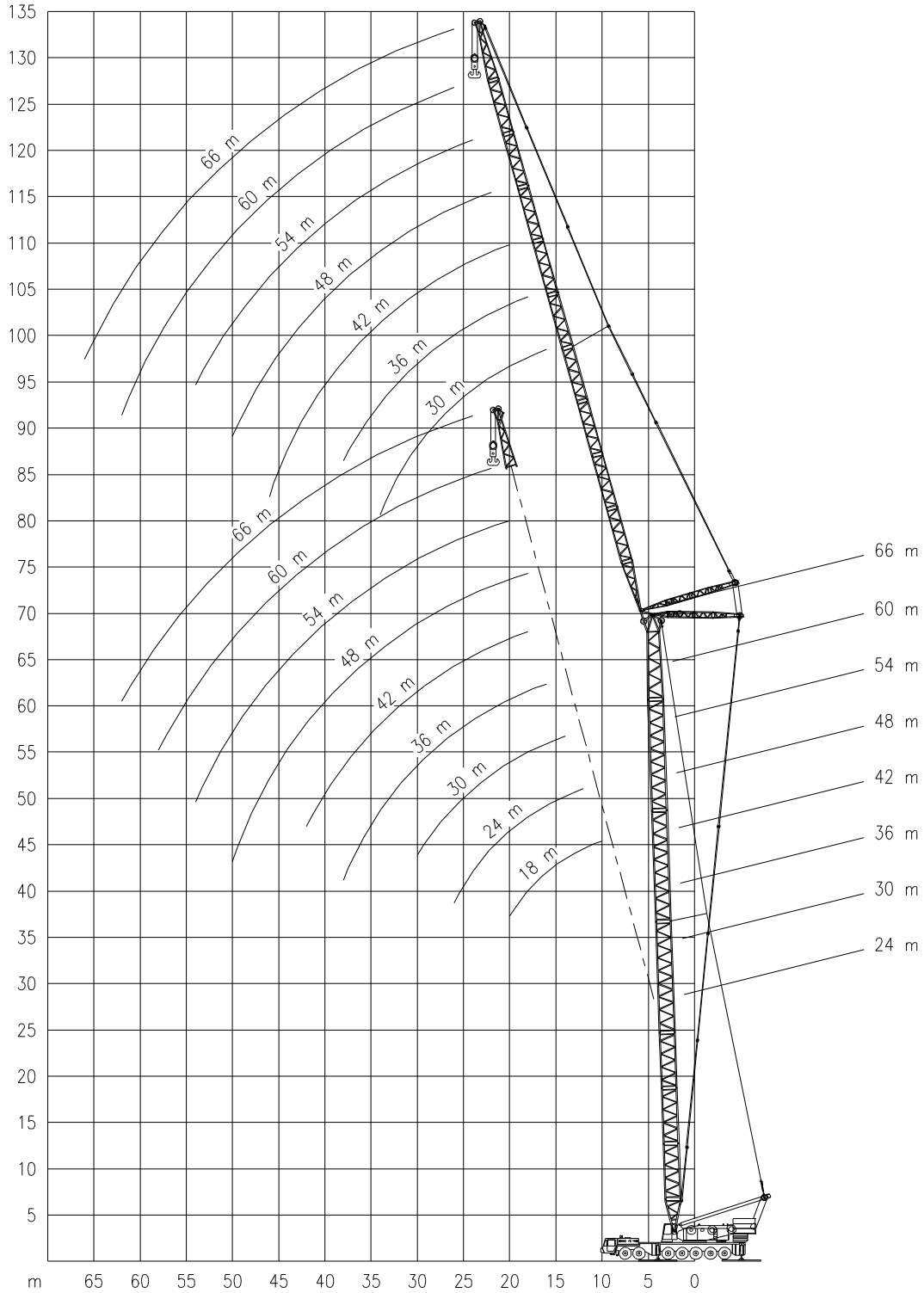
TEREX TC 1100

Working ranges
Portées

250 TON

Arbeitsbereiche
Werkbereich

SW



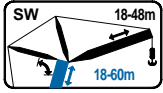


TEREX TC 1100

Lifting capacities
Capacités

250 TON

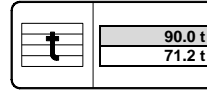
Tragfähigkeiten
Capacités



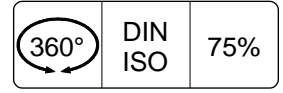
SW 88°



10m



90.0 t
71.2 t



360°

DIN
ISO

75%

m	24 m										30 m									
	18m	24m	30m	36m	42m	48m	54m	60m	66m	18m	24m	30m	36m	42m	48m	54m	60m	66m		
	t	t	t	t	t	t	t	t	t	t	t	t	t	t	t	t	t	t		
10.0	75.0	-	-	-	-	-	-	-	-	73.0	-	-	-	-	-	-	-	-		
12.0	68.0	62.0	-	-	-	-	-	-	-	69.0	62.0	-	-	-	-	-	-	-		
14.0	63.0	58.0	54.0	-	-	-	-	-	-	64.0	58.0	55.0	-	-	-	-	-	-		
16.0	59.0	54.0	50.0	45.0	-	-	-	-	-	60.0	55.0	51.0	46.0	-	-	-	-	-		
18.0	52.0	51.0	47.0	43.0	37.0	30.0	-	-	-	51.0	51.0	48.0	44.0	37.0	-	-	-	-		
20.0	45.0	45.0	44.0	41.0	36.0	29.0	23.5	-	-	45.0	44.0	44.0	42.0	36.0	28.0	-	-	-		
22.0	-	39.0	39.0	39.0	35.0	29.0	23.5	18.5	-	-	39.0	39.0	39.0	36.0	28.0	23.0	-	-		
24.0	-	35.0	35.0	35.0	33.0	28.5	23.5	18.5	14.5	-	35.0	35.0	34.0	34.0	28.0	23.0	18.0	14.0		
26.0	-	32.0	32.0	31.0	31.0	28.0	23.5	18.4	14.3	-	32.0	31.0	31.0	31.0	28.0	23.0	18.0	13.9		
28.0	-	-	29.0	28.0	26.0	27.4	23.5	18.2	14.2	-	-	28.0	28.0	28.0	27.2	23.0	18.0	13.8		
30.0	-	-	26.0	26.0	28.0	25.1	23.5	18.0	14.1	-	-	26.0	26.0	25.0	24.0	23.0	17.8	13.7		
34.0	-	-	-	22.0	22.0	21.3	21.0	17.8	14.0	-	-	-	22.0	22.0	21.0	20.8	17.6	13.6		
38.0	-	-	-	19.7	19.2	18.4	18.1	17.5	13.9	-	-	-	19.5	19.1	18.2	17.9	17.2	13.5		
42.0	-	-	-	-	16.9	16.1	15.8	15.5	13.7	-	-	-	-	16.8	15.9	15.6	15.4	13.4		
46.0	-	-	-	-	-	14.3	14.0	13.7	13.0	-	-	-	-	-	14.0	13.8	13.5	13.0		
50.0	-	-	-	-	-	12.9	12.4	12.1	11.6	-	-	-	-	-	-	12.3	12.0	11.5		
54.0	-	-	-	-	-	-	11.2	10.9	10.4	-	-	-	-	-	-	11.1	10.7	10.2		
58.0	-	-	-	-	-	-	-	9.8	9.3	-	-	-	-	-	-	-	9.7	9.2		
62.0	-	-	-	-	-	-	-	-	8.3	-	-	-	-	-	-	-	8.6	8.2		
66.0	-	-	-	-	-	-	-	-	-	-	-	-	-	-	-	-	-	7.4		
36 m										42 m										
12.0	62.0	60.0	-	-	-	-	-	-	-	-	-	-	-	-	-	-	-	-		
14.0	60.0	59.0	51.0	-	-	-	-	-	-	-	59.0	48.0	-	-	-	-	-	-		
16.0	58.0	55.0	49.0	44.0	-	-	-	-	-	-	56.0	47.0	40.0	-	-	-	-	-		
18.0	51.0	51.0	47.0	43.0	34.0	-	-	-	-	-	50.0	46.0	40.0	32.0	-	-	-	-		
20.0	45.0	44.0	44.0	42.0	34.0	26.0	-	-	-	-	44.0	43.0	40.0	32.0	24.0	-	-	-		
22.0	39.0	39.0	39.0	38.0	33.0	26.0	22.0	-	-	-	39.0	38.0	38.0	31.0	24.0	21.0	-	-		
24.0	-	35.0	34.0	34.0	32.0	26.0	22.0	17.2	13.5	-	35.0	34.0	34.0	30.5	24.0	20.9	16.5	13.0		
26.0	-	32.0	31.0	31.0	30.0	26.0	22.0	17.2	13.5	-	31.0	31.0	31.0	30.0	24.0	20.8	16.5	13.0		
28.0	-	-	28.0	28.0	28.0	26.0	21.8	17.2	13.4	-	29.0	28.0	28.0	27.0	24.0	20.6	16.5	13.0		
30.0	-	-	26.0	26.0	25.0	24.6	21.5	17.2	13.4	-	-	26.0	25.0	25.0	23.0	20.4	16.5	13.0		
34.0	-	-	-	22.0	21.0	20.8	20.5	17.0	13.3	-	-	-	22.0	21.0	20.6	20.2	16.4	12.9		
38.0	-	-	-	19.3	18.9	18.0	17.7	16.0	13.2	-	-	-	19.1	18.8	17.8	17.4	15.0	12.7		
42.0	-	-	-	-	16.6	15.7	15.5	14.5	13.0	-	-	-	-	16.5	15.5	14.7	13.6	12.5		
46.0	-	-	-	-	-	13.9	13.6	13.0	11.8	-	-	-	-	-	13.5	13.3	12.2	11.1		
50.0	-	-	-	-	-	-	12.1	11.7	10.7	-	-	-	-	-	12.0	12.0	11.1	10.0		
54.0	-	-	-	-	-	-	10.9	10.5	9.7	-	-	-	-	-	-	10.8	10.0	9.1		
58.0	-	-	-	-	-	-	-	9.4	8.8	-	-	-	-	-	-	-	9.0	8.3		
62.0	-	-	-	-	-	-	-	8.4	8.1	-	-	-	-	-	-	-	8.0	7.6		
66.0	-	-	-	-	-	-	-	-	7.3	-	-	-	-	-	-	-	-	7.0		
48 m										54 m										
14.0	-	53.0	-	-	-	-	-	-	-	-	45.0	-	-	-	-	-	-	-		
16.0	-	50.0	43.0	35.0	-	-	-	-	-	-	43.0	38.0	-	-	-	-	-	-		
18.0	-	47.0	41.0	35.0	29.0	-	-	-	-	-	42.0	37.0	32.0	27.0	-	-	-	-		
20.0	-	43.0	39.0	35.0	29.0	23.0	-	-	-	-	40.0	35.0	31.0	27.0	21.0	-	-	-		
22.0	-	38.0	37.0	33.0	29.0	23.0	19.5	-	-	-	38.5	33.0	30.0	26.0	21.0	18.0	-	-		
24.0	-	34.0	34.0	31.0	28.0	23.0	19.5	15.5	-	-	34.5	32.0	28.0	25.0	21.0	18.0	14.5	-		
26.0	-	31.0	31.0	29.0	26.0	23.0	19.5	15.5	12.0	-	31.2	30.8	27.0	24.0	21.0	18.0	14.5	11.0		
28.0	-	28.0	28.0	27.0	25.0	22.0	19.5	15.5	12.0	-	-	28.0	25.0	23.0	20.3	18.0	14.5	11.0		
30.0	-	-	25.0	25.0	23.0	21.0	19.5	15.5	12.0	-	-	25.0	23.5	22.0	19.0	17.4	14.5	11.0		
34.0	-	-	22.0	21.0	20.5	19.5	19.0	15.5	12.0	-	-	21.0	21.0	19.5	18.0	16.8	14.5	11.0		
38.0	-	-	-	18.9	18.3	17.2	16.0	14.0	12.0	-	-	-	18.7	17.7	16.1	14.8	13.0	11.0		
42.0	-	-	-	-	16.3	15.2	14.0	12.8	11.6	-	-	-	-	16.1	14.6	13.3	12.0	10.8		
46.0	-	-	-	-	-	13.2	12.6	11.6	10.4	-	-	-	-	-	12.9	12.1	10.9	9.7		
50.0	-	-	-	-	-	11.8	11.3	10.5	9.4	-	-	-	-	-	11.5	11.0	9.9	8.8		
54.0	-	-	-	-	-	-	10.3	9.5	8.5	-	-	-	-	-	-	10.2	9.0	8.0		
58.0	-	-	-	-	-	-	-	8.4	7.6	-	-	-	-	-	-	-	8.1	7.2		
62.0	-	-	-	-	-	-	-	7.7	7.0	-	-	-	-	-	-	-	7.4	6.5		
66.0	-	-	-	-	-	-	-	-	6.6	-	-	-	-	-	-	-	-	6.1		
60 m										66 m										
16.0	-	-	32.0	-	-	-	-	-	-	-	-	24.0	-	-	-	-	-	-		
18.0	-	-	32.0	28.0	-	-	-	-	-	-	-	24.0	21.0	-	-	-	-	-		
20.0	-	-	32.0	28.0	24.0	-	-	-	-	-	-	24.0	21.0	18.0	-	-	-	-		
22.0	-	-	30.3	27.0	24.0	19.0	16.0	-	-	-	-	23.5	20.4	18.0	15.5	-	-	-		
24.0	-	-	28.8	25.7	23.0	19.0	16.0	13.0	-	-	-	22.7	19.7	17.4	15.5	13.0	-	-		
26.0	-	-	27.5	24.6	22.0	19.0	16.0	13.0	10.0	-	-	22.0	19.0	16.8	15.0	13.0	10.7	8.5		
28.0	-	-	25.6	23.2	21.0	18.6	16.0	13.0	10.0	-	-	21.3	18.3	16.3	14.5	12.7	10.7	8.5		
30.0	-	-	24.0	22.0	20.0	17.6	16.0	13.0	10.0	-	-	20.6	17.7	15.8	14.0	12.2	10.7	8.5		
34.0	-	-	-	20.0	18.5	15.1	14.7	13.0	10.0	-	-	19.5	16.6	14.8	13.0	11.5	10.1	8.3		
38.0	-	-	-	18.5	17.1	14.0	13.5	12.0	10.0	-	-	-	15.6	14.0	12.2	10.7	9.5	8.1		
42.0	-	-	-	-	15.9	12.5	12.5	11.1	10.0	-	-	-	-	13.3	11.6	10.1	8.8	7.8		
46.0	-	-	-	-	-	11.1	11.6	10.2	9.0	-	-	-	-	12.2	10.9	9.5	8.2	7.6		
50.0	-	-	-	-	-	-	10.7	9.3	8.2	-	-	-	-	-	10.2	9.0	7.7	7.2		
54.0	-	-	-	-	-	-	10.0	8.5	7.4	-	-	-	-	-	-	8.2	7.3	6.7		
58.0	-	-	-	-	-	-	8.6	7.6	6.7	-	-	-	-	-	-	-	6.6	6.2		
62.0	-	-	-	-	-	-	-	6.8	6.1	-	-	-	-	-	-	-	6.1	5.6		
66.0	-	-	-	-	-	-	-	-	5.6	-	-	-	-	-	-	-	-	5.1		



TEREX TC 1100

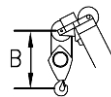
250 TON

Working speeds
Vitesses de travail

Arbeitsgeschwindigkeiten
Werksnelheden

Mechanisms Mécanismes Aandrijvingen	Speeds Vitesses Geschwindigkeiten Snelheden	Rope diameter Diamètre du câble Seildurchmesser Kabeldiameter	Single line pull Effort sur brin simple Zulässiger Seilzug je strang Toegelaten trekkracht / part	Length of ropes Longueur des cables Länge der Seile Kabellengte
Main hoist Levage sur flèche Hubwerk 1 Hijlslier 1	0 – 87 m/min	26 mm	100 kN	600 m
Auxiliary hoist Levage sur fléchette Hubwerk 2 Hijlslier 2	0 – 87 m/min	26 mm	100 kN	600 m
Boom derricking Relevage de flèche Wippwerk haupausleger Toplier hoofdmast	2 x 25 m/min	26 mm		2 x 200 m
Hoist A-frame Relevage chevalet Einziehwerk Lier A-frame	0 – 43 m/min	26 mm		310 m
Slewing gear Orientation Drehwerk Zwenkwerk	0 – 1.6 RPM			
Travel speed Vitesse sur route Fahrgeschwindigkeit Rijsnelheid	0 – 65 km/h			

Hook Block / Crane hook Crochet mouflé / Crochet simple



Unterflasche / Hakengehänge Kraanblok / Kraanhaak

Capacity Capacité Tragfähigkeit Capaciteit	Number of sheaves Nombre de poulies Anzahl der Rollen Aantal schijven	Number of lines Nombre de brins Strangzahl Aantal parten	Weight Poids Gewicht Gewicht	“B”
SWL 125 t	6	13	3040 kg	2.5 m
SWL 70 t	3	7	2020 kg	2.5 m
SWL 36 t	1	3	1100 kg	2.0 m
SWL 10 t	-	1	540 kg	1.5 m