

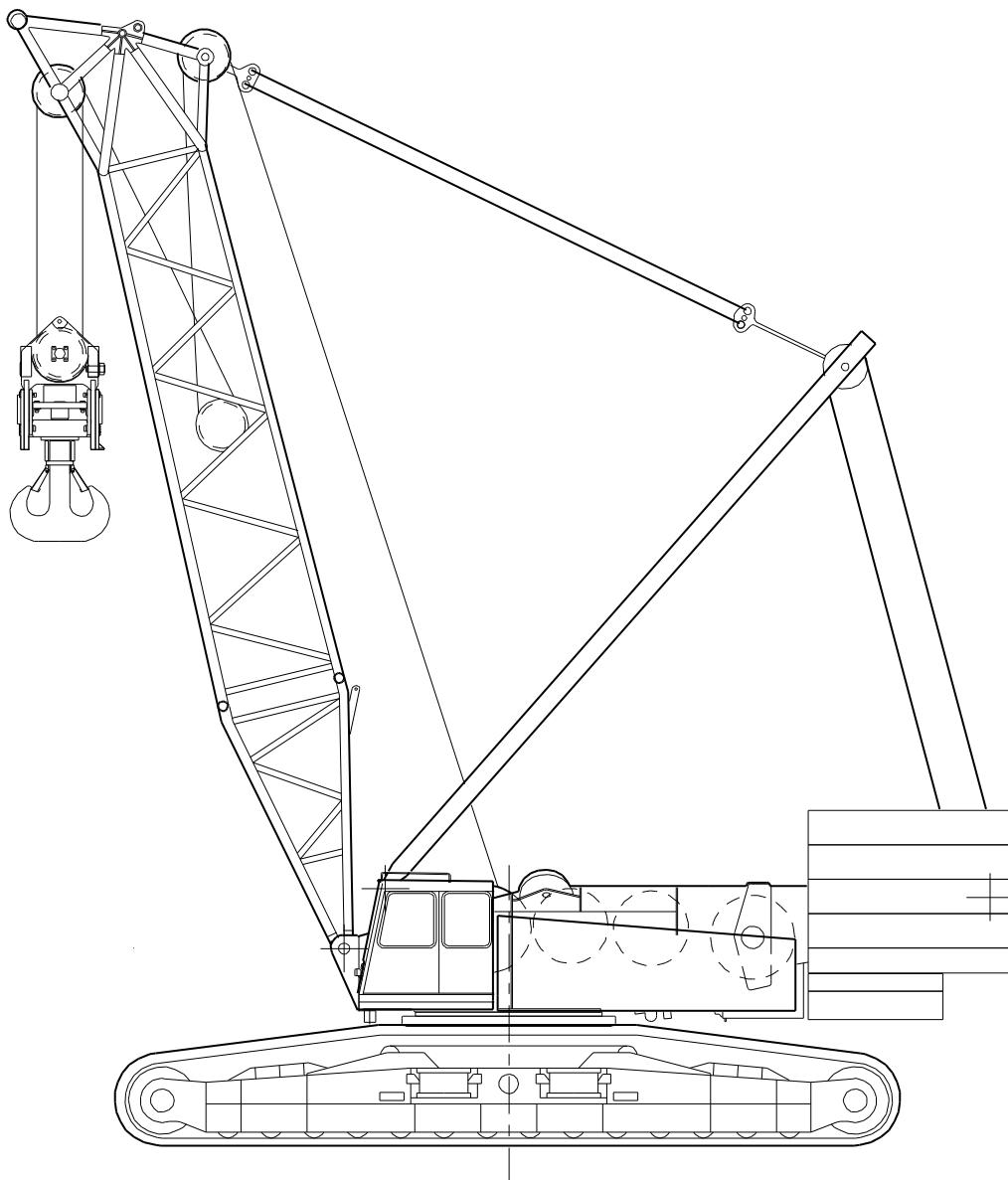


sarens
group

www.sarens.com

TEREX CC 2000

400 TON



nothing too heavy, nothing too high



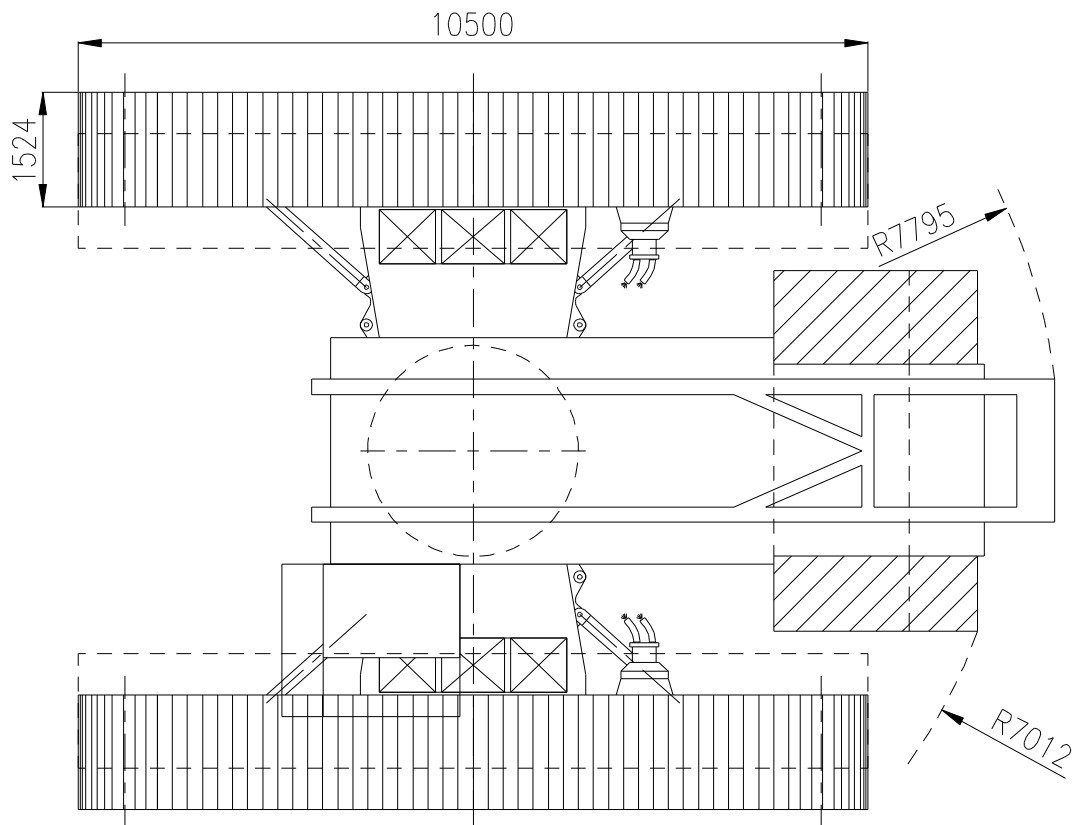
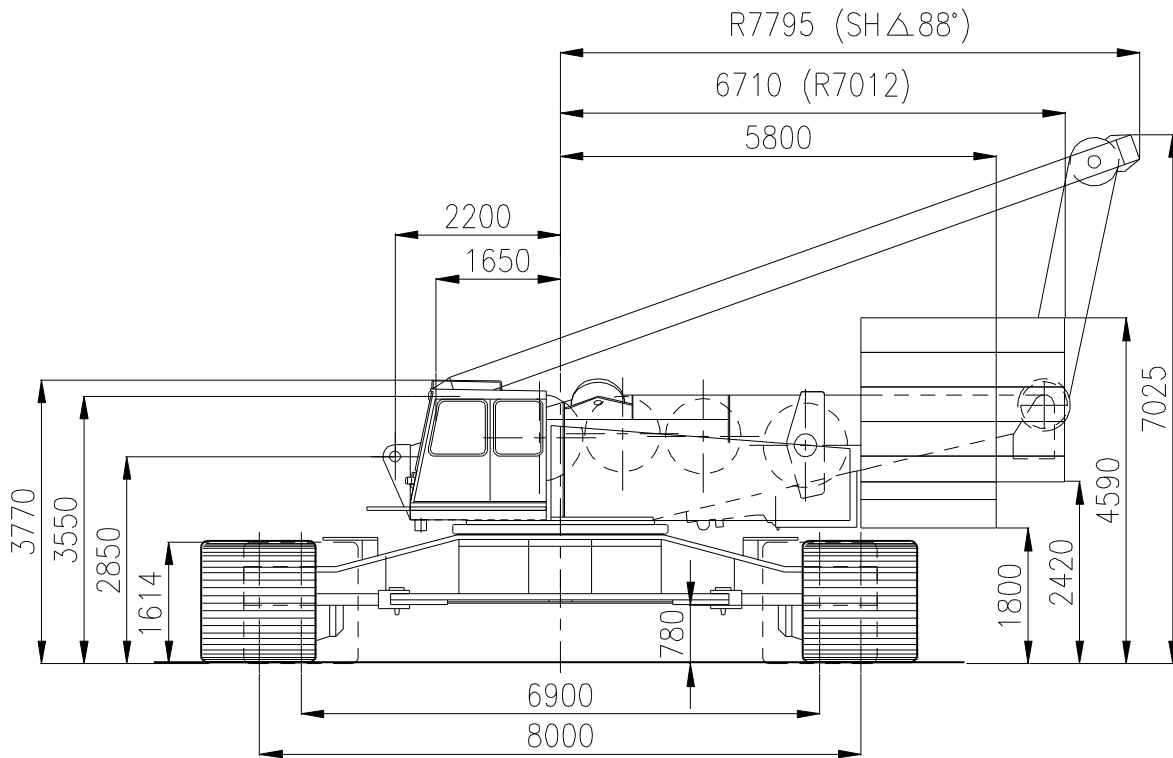


TEREX CC 2000

Dimensions
Dimensions

400 TON

Abmessungen
Afmetingen





TEREX CC 2000

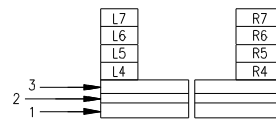
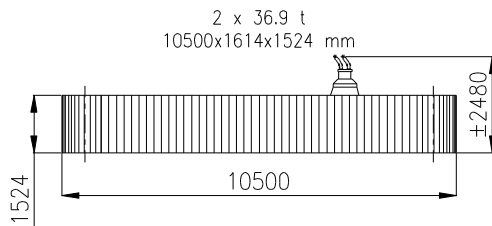
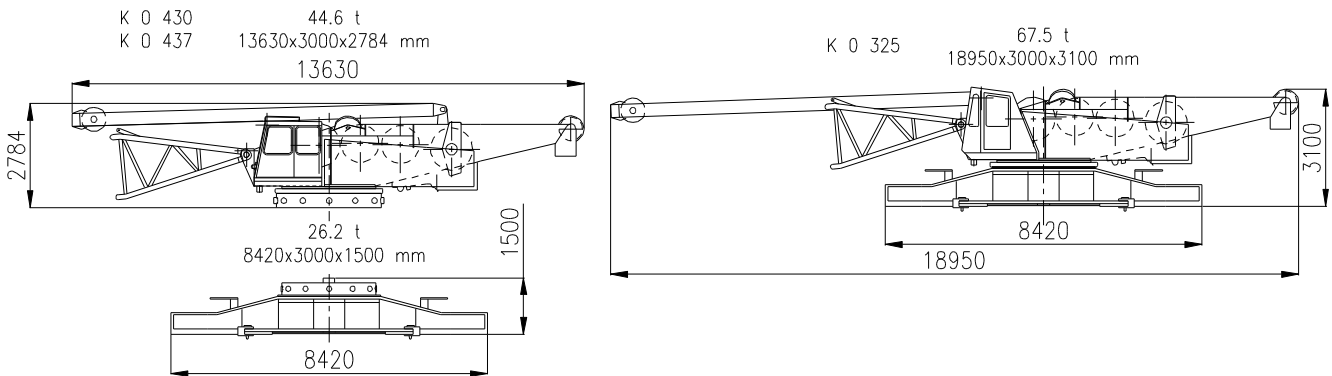
Weight
Poids

400 TON

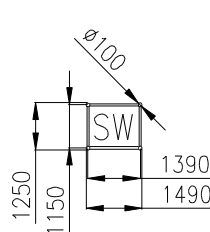
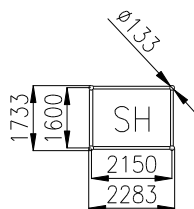
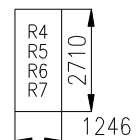
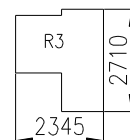
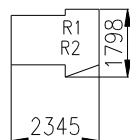
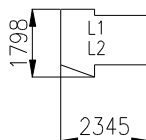
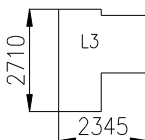
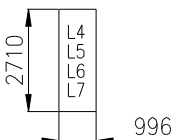
Gewicht
Gewicht

1/200

	K 0 430 K 0 437	K 0 325
Superstructure Partie supérieure Oberwagen mit Bovenwagen	44.6 t	67.5 t
Carbody Carter central Mittelstück Centraal onderstelgedeelte	26.2 t	
Crawler unit Bâti de chenille Raupen Rupsen	2 x 41 t	
Counterweight Contrepoids Gegengewicht Tegengewicht	130.7 t	



- 4 x 8.2 t 996x2710x474 mm
- 1 x 9.2 t 2345x2710x355 mm
- L1 : 1 x 7.90 t 2345x1798x400 mm
- L2 : 1 x 5.35 t 2345x1798x250 mm
- R1 : 1 x 7.90 t 2345x1798x400 mm
- R2 : 1 x 5.35 t 2345x1798x250 mm
- 1 x 9.7 t 2345x2710x355 mm
- 4 x 10.4 t 1246x2710x474 mm





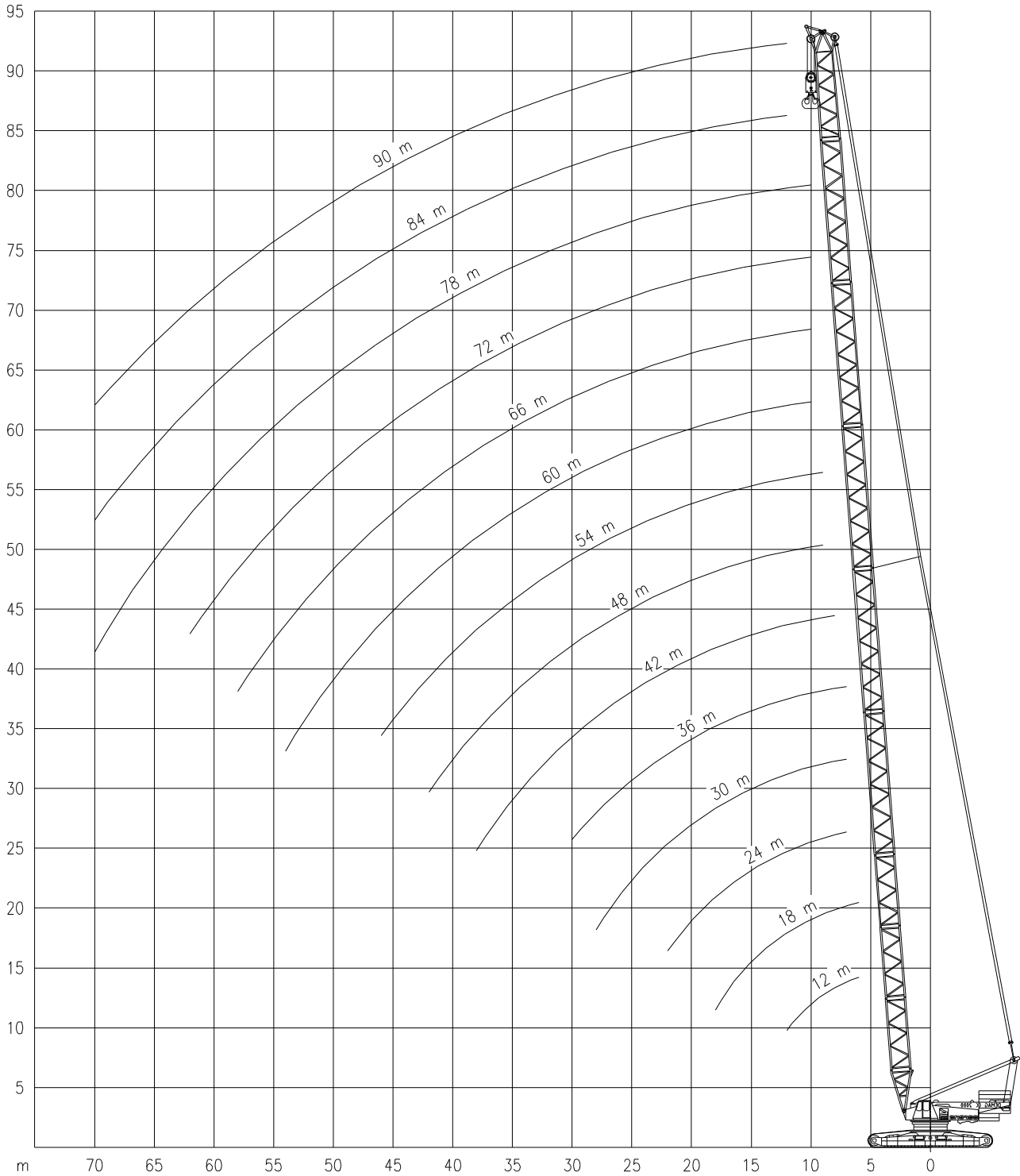
TEREX CC 2000

Working ranges
Portées

400 TON

Arbeitsbereiche
Werkbereich

SH



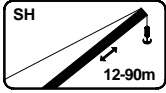


TEREX CC 2000

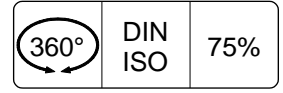
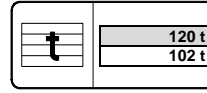
400 TON

Lifting capacities
Capacités

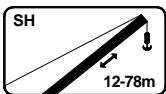
Tragfähigkeiten
Capaciteiten



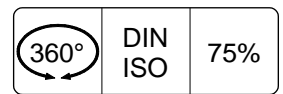
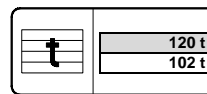
SH



m	12m	18m	24m	30m	36m	42m	48m	54m	60m	66m	72m	78m	84m	90m
	t	t	t	t	t	t	t	t	t	t	t	t	t	t
6.0	300.0	300.0	-	-	-	-	-	-	-	-	-	-	-	-
7.0	284.0	282.0	277.0	277.0	235.0	-	-	-	-	-	-	-	-	-
8.0	252.0	250.0	248.0	248.0	217.0	203.0	-	-	-	-	-	-	-	-
9.0	221.0	220.0	217.0	217.0	202.0	190.0	179.0	158.0	-	-	-	-	-	-
10.0	194.0	193.0	191.0	191.0	188.0	179.0	170.0	151.0	132.0	109.0	90.0	78.5	-	-
12.0	144.0	143.0	142.0	142.0	141.0	140.0	140.0	137.0	123.0	102.0	93.8	72.3	61.3	50.2
14.0	-	114.0	112.0	112.0	111.0	110.0	110.0	109.0	109.0	96.0	78.5	67.0	56.4	45.0
16.0	-	94.6	92.7	92.7	91.9	91.0	90.3	89.8	89.2	88.8	73.2	62.6	52.0	41.0
18.0	-	80.7	78.6	78.6	77.8	76.9	76.2	75.6	75.0	74.5	68.8	58.2	48.5	37.9
20.0	-	-	68.1	68.1	67.2	66.3	65.6	64.9	64.4	63.9	63.4	54.7	45.0	34.8
22.0	-	-	59.9	59.9	59.0	58.1	57.3	56.7	56.1	55.6	55.1	51.1	41.9	32.6
24.0	-	-	53.4	53.4	52.4	51.5	50.7	50.1	49.5	49.0	48.5	47.6	38.8	30.4
26.0	-	-	48.1	48.1	47.1	46.2	45.4	44.7	44.1	43.5	43.0	42.7	36.1	28.6
28.0	-	-	43.8	43.8	42.7	41.7	40.9	40.2	39.6	39.0	38.5	38.1	34.0	26.1
30.0	-	-	-	-	39.0	38.0	37.1	36.4	35.8	35.2	34.7	34.3	31.7	25.3
34.0	-	-	-	-	-	32.1	31.2	30.4	29.8	29.0	28.2	28.0	27.6	22.9
38.0	-	-	-	-	-	27.7	26.6	25.7	24.9	24.2	23.3	22.8	22.5	19.8
42.0	-	-	-	-	-	-	22.9	22.0	21.1	20.4	19.5	19.0	18.6	17.6
46.0	-	-	-	-	-	-	-	19.0	18.1	17.3	16.4	15.7	15.3	14.5
50.0	-	-	-	-	-	-	-	-	15.6	14.8	13.7	13.0	12.5	11.8
54.0	-	-	-	-	-	-	-	-	13.5	12.6	11.5	10.7	10.3	9.5
58.0	-	-	-	-	-	-	-	-	-	10.8	9.6	8.9	8.3	7.5
62.0	-	-	-	-	-	-	-	-	-	-	8.1	7.3	6.7	5.9
66.0	-	-	-	-	-	-	-	-	-	-	-	5.9	5.3	4.5
70.0	-	-	-	-	-	-	-	-	-	-	-	4.7	4.1	3.2



SH



m	12m	18m	24m	30m	36m	42m	48m	54m	60m	66m	72m	78m
	t	t	t	t	t	t	t	t	t	t	t	t
6.0	200.0	200.0	-	-	-	-	-	-	-	-	-	-
7.0	181.0	181.0	181.0	181.0	181.0	-	-	-	-	-	-	-
8.0	167.0	167.0	167.0	167.0	167.0	167.0	-	-	-	-	-	-
9.0	156.0	156.0	156.0	156.0	156.0	156.0	156.0	156.0	-	-	-	-
10.0	137.0	137.0	136.0	135.0	135.0	134.0	134.0	133.0	120.0	95.0	77.0	65.0
12.0	105.0	104.0	103.0	102.0	102.0	101.0	100.0	100.0	100.0	86.5	72.8	60.0
14.0	-	83.7	82.9	82.2	81.6	80.9	80.4	79.9	79.4	78.9	68.8	56.7
16.0	-	69.8	69.0	68.3	67.6	67.0	66.4	65.9	65.4	64.9	64.5	52.9
18.0	-	59.8	58.9	58.2	57.5	56.8	56.3	55.8	55.2	54.7	54.3	49.9
20.0	-	-	51.3	50.6	49.8	49.2	48.6	48.1	47.5	47.0	46.6	46.0
22.0	-	-	45.4	44.6	43.9	43.2	42.6	42.1	41.5	40.9	40.6	39.9
24.0	-	-	-	39.8	39.0	38.3	37.7	37.2	36.6	36.1	35.7	35.0
26.0	-	-	-	35.9	35.1	34.3	33.8	33.2	32.6	32.1	31.7	31.0
28.0	-	-	-	32.7	31.8	31.1	30.4	29.9	29.3	28.7	28.3	27.7
30.0	-	-	-	-	29.1	28.3	27.6	27.1	26.5	25.9	25.2	24.7
34.0	-	-	-	-	-	23.9	22.2	22.6	21.6	21.0	20.1	19.6
38.0	-	-	-	-	-	20.6	19.6	18.6	17.8	17.1	16.2	15.5
42.0	-	-	-	-	-	-	16.6	15.7	14.8	14.0	13.0	12.3
46.0	-	-	-	-	-	-	-	13.3	12.3	11.4	10.4	9.7
50.0	-	-	-	-	-	-	-	-	10.2	9.3	8.2	7.5
54.0	-	-	-	-	-	-	-	-	8.6	7.6	6.5	5.7
58.0	-	-	-	-	-	-	-	-	-	6.1	5.0	4.2
62.0	-	-	-	-	-	-	-	-	-	-	3.8	3.0



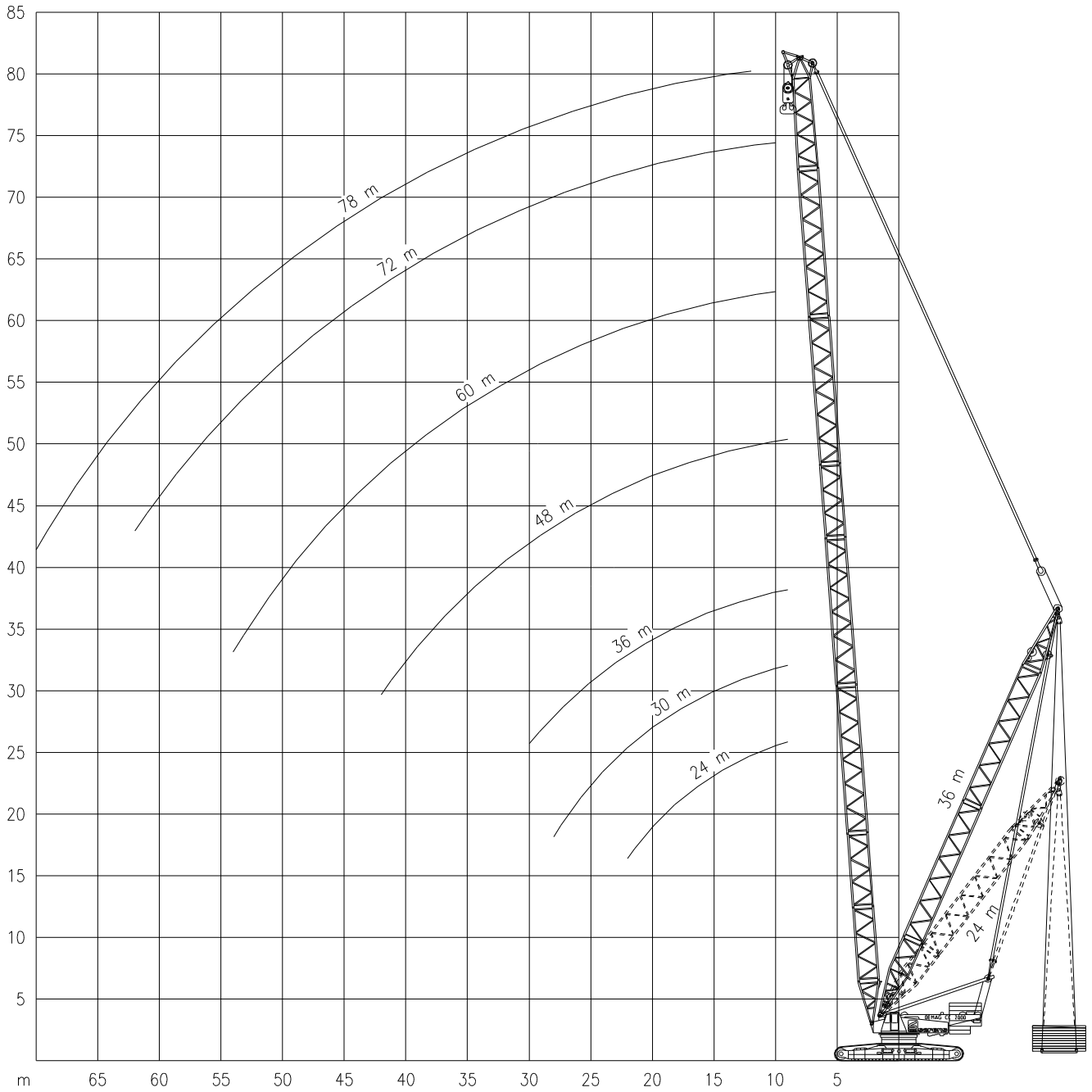
TEREX CC 2000

Working ranges
Portées

400 TON

Arbeitsbereiche
Werkbereich

SL



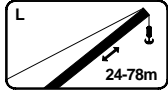


TEREX CC 2000

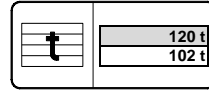
Lifting capacities
Capacités

400 TON

Tragfähigkeiten
Capacités



SL



DIN
ISO

75%

L	24m (1)									30m (1)								
	0 t	40 t	70 t	100 t	130 t	145 t	160 t	175 t	190 t	0 t	40 t	70 t	100 t	130 t	145 t	160 t	175 t	190 t
9.0	219.0	254.0	285.0	300.0	-	-	-	-	-	217.0	252.0	282.0	290.0	-	-	-	-	-
10.0	195.0	230.0	257.0	285.0	300.0	-	-	-	-	191.0	227.0	255.0	283.0	290.0	-	-	-	-
12.0	158.0	189.0	216.0	239.0	262.0	274.0	286.0	300.0	-	156.0	187.0	213.0	236.0	260.0	271.0	283.0	-	-
14.0	125.0	160.0	184.0	205.0	226.0	236.0	246.0	267.0	-	124.0	158.0	182.0	203.0	223.0	233.0	243.0	253.0	-
16.0	103.0	139.0	159.0	180.0	298.0	207.0	215.0	232.0	-	102.0	136.0	157.0	178.0	195.0	204.0	213.0	222.0	231.0
18.0	88.0	122.0	140.0	159.0	176.0	184.0	192.0	200.0	-	86.0	120.0	138.0	156.0	173.0	181.0	190.0	197.0	205.0
20.0	76.0	106.0	125.0	142.0	158.0	165.0	-	-	-	74.0	105.0	123.0	140.0	156.0	163.0	170.0	177.0	185.0
22.0	67.0	94.0	113.0	128.0	140.0	-	-	-	-	65.0	93.0	111.0	126.0	140.0	148.0	153.0	161.0	167.0
24.0	-	-	-	-	-	-	-	-	-	58.0	83.0	101.0	115.0	128.0	135.0	141.0	147.0	-
26.0	-	-	-	-	-	-	-	-	-	52.0	75.0	92.0	105.0	117.0	124.0	130.0	-	-
28.0	-	-	-	-	-	-	-	-	-	47.0	68.0	84.0	97.0	109.0	115.0	-	-	-
	36m (1)									48m (1)								
9.0	202.0	250.0	260.0	-	-	-	-	-	-	190.0	-	-	-	-	-	-	-	-
10.0	188.0	227.0	255.0	260.0	-	-	-	-	-	180.0	190.0	-	-	-	-	-	-	-
12.0	156.0	187.0	213.0	236.0	260.0	-	-	-	-	154.0	188.0	-	-	-	-	-	-	-
14.0	124.0	158.0	182.0	203.0	223.0	230.0	240.0	-	-	122.0	156.0	180.0	188.0	-	-	-	-	-
16.0	102.0	136.0	157.0	178.0	195.0	202.0	210.0	220.0	-	100.0	133.0	155.0	175.0	187.0	-	-	-	-
18.0	86.0	120.0	138.0	156.0	173.0	181.0	190.0	196.0	205.0	84.0	118.0	136.0	155.0	172.0	179.0	187.0	-	-
20.0	74.0	105.0	123.0	140.0	156.0	162.0	170.0	177.0	185.0	73.0	103.0	119.0	137.0	153.0	161.0	167.0	175.0	180.0
22.0	65.0	92.0	110.0	126.0	140.0	146.0	153.0	160.0	167.0	64.0	90.0	109.0	124.0	139.0	146.0	153.0	159.0	166.0
24.0	58.0	82.0	100.0	115.0	128.0	134.0	140.0	147.0	153.0	56.0	80.0	99.0	112.0	125.0	133.0	139.0	145.0	151.0
26.0	52.0	74.0	91.0	105.0	117.0	123.0	130.0	136.0	141.0	50.0	72.0	89.0	103.0	113.0	122.0	128.0	134.0	139.0
28.0	47.0	67.0	82.0	97.0	109.0	114.0	120.0	126.0	130.0	45.0	65.0	81.0	94.0	106.0	112.0	118.0	124.0	128.0
30.0	43.0	62.0	76.0	90.0	100.0	105.0	111.0	115.0	-	41.0	60.0	74.0	88.0	99.0	104.0	110.0	115.0	120.0
34.0	-	-	-	-	-	-	-	-	-	35.0	51.0	63.0	75.0	86.0	91.0	96.0	101.0	105.0
38.0	-	-	-	-	-	-	-	-	-	29.0	44.0	54.0	65.0	76.0	80.0	85.0	89.0	93.0
42.0	-	-	-	-	-	-	-	-	-	26.0	38.0	48.0	57.0	67.0	72.0	76.0	80.0	-
	60m (2)									72m (2)								
10.0	132.0	135.0	-	-	-	-	-	-	-	92.0	-	-	-	-	-	-	-	-
12.0	123.0	134.0	-	-	-	-	-	-	-	92.0	-	-	-	-	-	-	-	-
14.0	114.0	133.0	-	-	-	-	-	-	-	91.0	-	-	-	-	-	-	-	-
16.0	102.0	130.0	132.0	-	-	-	-	-	-	91.0	-	-	-	-	-	-	-	-
18.0	86.0	116.0	131.0	-	-	-	-	-	-	85.0	91.0	-	-	-	-	-	-	-
20.0	74.0	103.0	120.0	130.0	-	-	-	-	-	73.0	90.0	-	-	-	-	-	-	-
22.0	65.0	91.0	108.0	123.0	129.0	-	-	-	-	64.0	90.0	-	-	-	-	-	-	-
24.0	57.0	81.0	97.0	112.0	125.0	-	-	-	-	56.0	80.0	90.0	-	-	-	-	-	-
26.0	51.0	73.0	89.0	102.0	114.0	-	-	-	-	50.0	72.0	88.0	90.0	-	-	-	-	-
28.0	46.0	66.0	81.0	93.0	105.0	-	-	-	-	45.0	65.0	80.0	89.0	-	-	-	-	-
30.0	41.0	60.0	74.0	86.0	97.0	-	-	-	-	40.0	59.0	73.0	84.0	89.0	-	-	-	-
34.0	34.0	51.0	63.0	75.0	82.0	-	-	-	-	33.0	49.0	62.0	72.0	83.0	-	-	-	-
38.0	29.0	43.0	54.0	65.0	71.0	-	-	-	-	28.0	42.0	53.0	63.0	72.0	-	-	-	-
42.0	25.0	38.0	47.0	57.0	62.0	-	-	-	-	24.0	37.0	46.0	56.0	64.0	-	-	-	-
46.0	22.0	33.0	42.0	51.0	54.0	-	-	-	-	20.0	32.0	41.0	49.0	57.0	-	-	-	-
50.0	19.0	30.0	38.0	45.0	47.0	-	-	-	-	18.0	28.0	36.0	44.0	50.0	-	-	-	-
54.0	17.0	27.0	34.0	39.0	42.0	-	-	-	-	15.0	25.0	32.0	40.0	45.0	-	-	-	-
58.0	-	-	-	-	-	-	-	-	-	13.0	22.0	29.0	36.0	40.0	-	-	-	-
62.0	-	-	-	-	-	-	-	-	-	11.0	20.0	26.0	33.0	36.0	-	-	-	-
	78m (2)																	
12.0	78.0	-	-	-	-	-	-	-	-									
14.0	77.0	-	-	-	-	-	-	-	-									
16.0	76.0	-	-	-	-	-	-	-	-									
18.0	76.0	-	-	-	-	-	-	-	-									
20.0	72.0	-	-	-	-	-	-	-	-									
22.0	63.0	74.0	-	-	-	-	-	-	-									
24.0	55.0	74.0	-	-	-	-	-	-	-									
26.0	49.0	71.0	-	-	-	-	-	-	-									
28.0	44.0	64.0	73.0	-	-	-	-	-	-									
30.0	40.0	58.0	72.0	-	-	-	-	-	-									
34.0	33.0	47.0	61.0	70.0	-	-	-	-	-									
38.0	27.0	41.0	52.0	63.0	66.0	-	-	-	-									
42.0	23.0	36.0	45.0	55.0	62.0	-	-	-	-									
46.0	20.0	31.0	40.0	49.0	57.0	-	-	-	-									
50.0	17.0	27.0	35.0	43.0	50.0	-	-	-	-									
54.0	14.0	24.0	32.0	39.0	45.0	-	-	-	-									
58.0	12.0	22.0	28.0	35.0	40.0	-	-	-	-									
62.0	10.0	19.0	26.0	32.0	36.0	-	-	-	-									
66.0	9.0	17.0	23.0	29.0	33.0	-	-	-	-									
70.0	8.0	15.0	21.0	26.0	30.0	-	-	-	-									

- 1) With 24m derrick / superlift boom
- 2) With 36m derrick / superlift boom



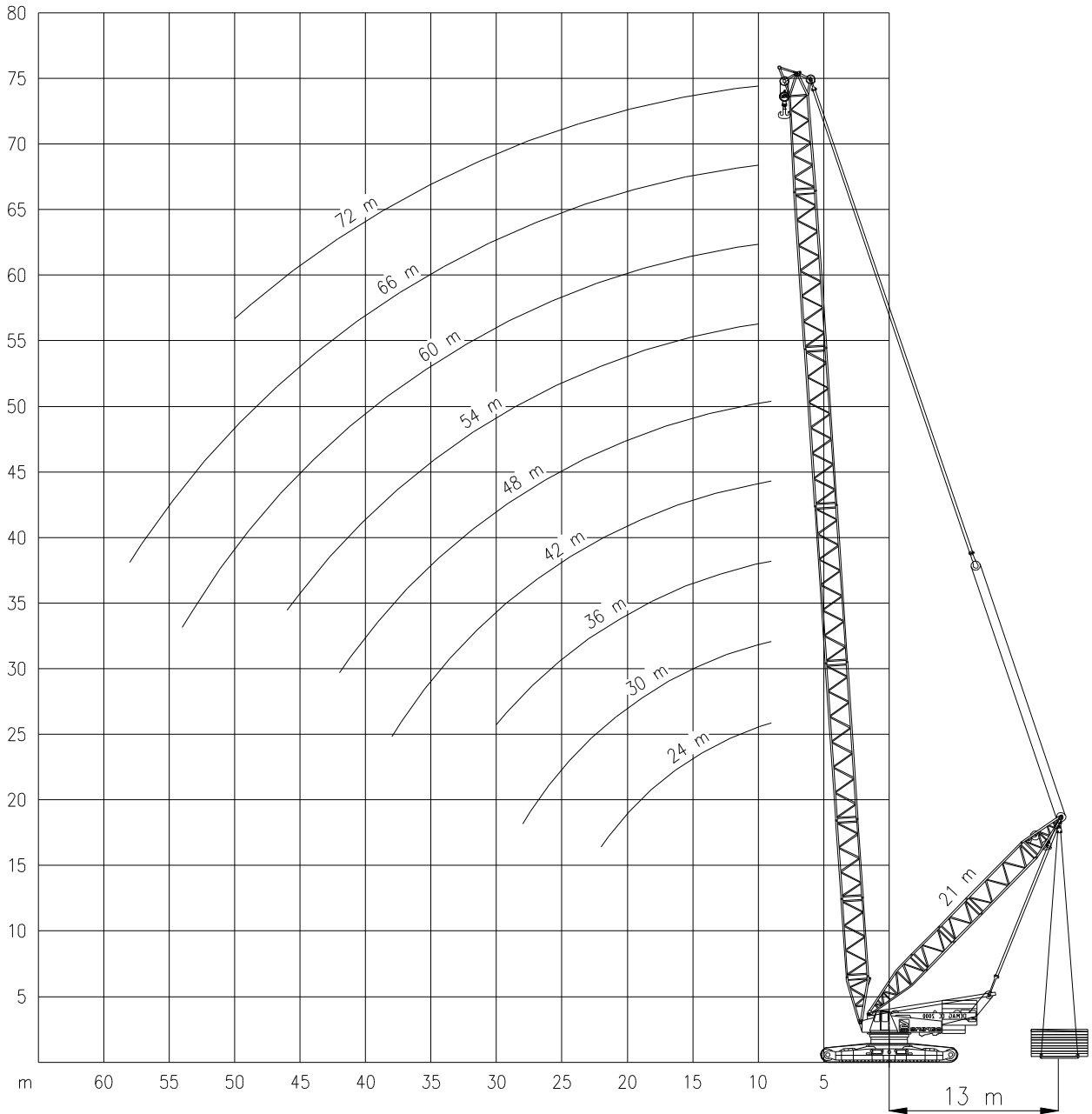
TEREX CC 2000

Working ranges
Portées

400 TON

Arbeitsbereiche
Werkbereich

LSL



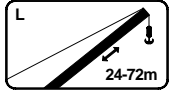


TEREX CC 2000

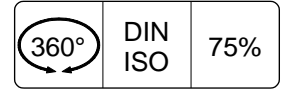
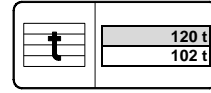
Lifting capacities
Capacités

400 TON

Tragfähigkeiten
Capacités



LSL



m	24m						30m					
	0 t	50 t	80 t	100 t	120 t	150 t	0 t	50 t	80 t	100 t	120 t	150 t
9.0	219.0	232.0	250.0	292.0	334.0	360.0 *	217.0	232.0	-	-	-	-
10.0	192.0	210.0	250.0	270.0	285.0	335.0 *	191.0	210.0	232.0	-	-	-
12.0	143.0	168.0	200.0	216.0	234.0	264.0	142.0	168.0	199.0	216.0	220.0	-
14.0	113.0	140.0	168.0	183.0	200.0	226.0	112.0	139.0	168.0	183.0	200.0	-
16.0	93.0	119.0	143.0	154.0	168.0	188.0	92.0	118.0	142.0	154.0	168.0	-
18.0	79.0	106.0	123.0	132.0	144.0	-	78.0	106.0	122.0	126.0	132.0	-
20.0	69.0	94.0	110.0	-	-	-	68.0	93.0	108.0	112.0	123.0	-
22.0	61.0	84.0	98.0	-	-	-	59.0	84.0	100.0	104.0	120.0	-
24.0	-	-	-	-	-	-	53.0	76.0	91.0	95.0	101.0	-
26.0	-	-	-	-	-	-	48.0	69.0	82.0	86.0	94.0	101.0
28.0	-	-	-	-	-	-	43.0	63.0	74.0	79.0	84.0	86.0
m	36m						42m					
	0 t	50 t	80 t	100 t	120 t	150 t	0 t	50 t	80 t	100 t	120 t	150 t
9.0	202.0	215.0	-	-	-	-	190.0	206.0	-	-	-	-
10.0	188.0	210.0	215.0	-	-	-	179.0	201.0	203.0	-	-	-
12.0	141.0	166.0	198.0	212.0	-	-	140.0	165.0	197.0	-	-	-
14.0	111.0	139.0	168.0	182.0	198.0	-	110.0	138.0	168.0	178.0	190.0	-
16.0	92.0	118.0	142.0	154.0	168.0	-	91.0	118.0	142.0	152.0	164.0	-
18.0	78.0	105.0	121.0	133.0	150.0	-	77.0	105.0	120.0	132.0	149.0	-
20.0	67.0	93.0	108.0	120.0	134.0	-	66.0	93.0	107.0	118.0	133.0	-
22.0	59.0	84.0	97.0	108.0	120.0	-	58.0	84.0	95.0	106.0	119.0	-
24.0	52.0	76.0	88.0	98.0	110.0	-	52.0	75.0	86.0	96.0	110.0	-
26.0	47.0	68.0	80.0	88.0	97.0	-	46.0	68.0	79.0	87.0	96.0	-
28.0	43.0	62.0	74.0	-	-	-	42.0	61.0	72.0	-	-	-
30.0	39.0	57.0	68.0	-	-	-	38.0	56.0	66.0	-	-	-
34.0	-	-	-	-	-	-	32.0	48.0	58.0	-	-	-
38.0	-	-	-	-	-	-	27.0	42.0	52.0	-	-	-
m	48m						54m					
	0 t	50 t	80 t	100 t	120 t	150 t	0 t	50 t	80 t	100 t	120 t	150 t
9.0	179.0	187.0	-	-	-	-	-	-	-	-	-	-
10.0	170.0	184.0	-	-	-	-	151.0	-	-	-	-	-
12.0	140.0	164.0	174.0	-	-	-	137.0	141.0	-	-	-	-
14.0	110.0	138.0	168.0	-	-	-	109.0	136.0	-	-	-	-
16.0	90.0	118.0	142.0	150.0	160.0	-	90.0	118.0	132.0	-	-	-
18.0	76.0	105.0	120.0	132.0	148.0	-	76.0	105.0	119.0	-	-	-
20.0	66.0	94.0	106.0	117.0	132.0	-	65.0	94.0	103.0	-	-	-
22.0	57.0	84.0	94.0	104.0	118.0	-	57.0	83.0	92.0	-	-	-
24.0	51.0	75.0	84.0	93.0	106.0	-	51.0	74.0	82.0	-	-	-
26.0	45.0	67.0	78.0	85.0	95.0	-	45.0	66.0	76.0	-	-	-
28.0	41.0	61.0	71.0	79.0	88.0	-	40.0	60.0	69.0	-	-	-
30.0	37.0	56.0	64.0	71.0	80.0	-	36.0	55.0	63.0	-	-	-
34.0	31.0	47.0	56.0	-	-	-	30.0	47.0	55.0	-	-	-
38.0	27.0	41.0	50.0	-	-	-	26.0	40.0	49.0	-	-	-
42.0	23.0	36.0	44.0	-	-	-	22.0	35.0	43.0	-	-	-
46.0	-	-	-	-	-	-	19.0	31.0	40.0	-	-	-

m	60m		66m		72m	
	0 t	50 t	0 t	50 t	0 t	50 t
10.0	132.0	-	109.0	-	85.0	-
12.0	123.0	-	102.0	-	79.0	-
14.0	109.0	118.0	96.0	-	75.0	-
16.0	89.0	113.0	89.0	90.0	71.0	-
18.0	75.0	105.0	74.0	86.0	67.0	-
20.0	64.0	94.0	64.0	82.0	58.0	-
22.0	56.0	83.0	56.0	78.0	47.0	60.0
24.0	49.0	73.0	49.0	73.0	41.0	57.0
26.0	44.0	66.0	43.0	66.0	37.0	54.0
28.0	40.0	60.0	39.0	59.0	33.0	51.0
30.0	36.0	54.0	35.0	54.0	30.0	48.0
34.0	30.0	46.0	29.0	46.0	24.0	44.0
38.0	25.0	40.0	24.0	39.0	20.0	39.0
42.0	21.0	35.0	20.0	34.0	17.0	33.0
46.0	18.0	31.0	17.0	30.0	15.0	28.0
50.0	16.0	27.0	15.0	26.0	13.0	24.0
54.0	13.0	-	13.0	-	-	-
58.0	-	-	11.0	-	-	-

*) Heavy duty boom head required.



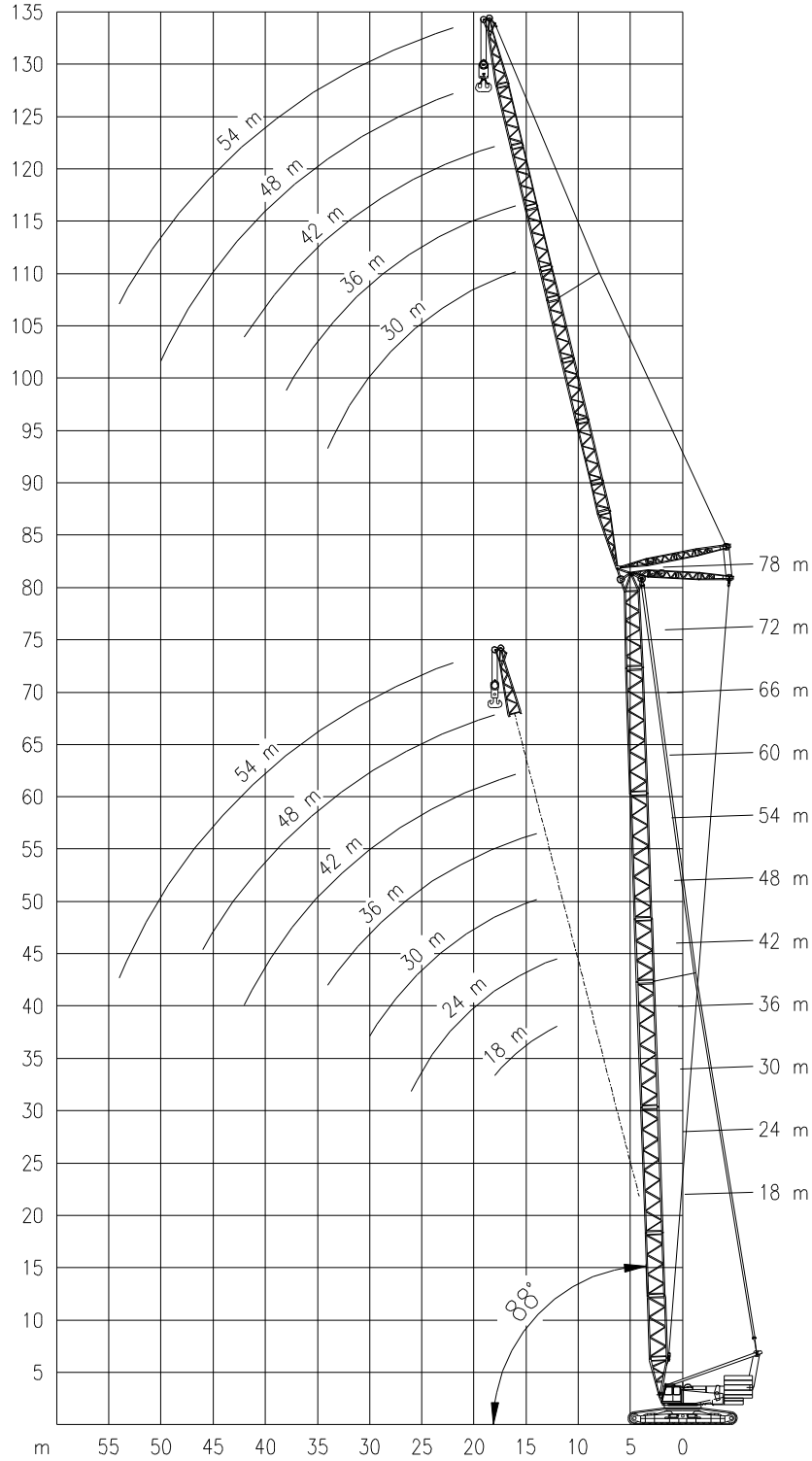
TEREX CC 2000

Working ranges
Portées

400 TON

Arbeitsbereiche
Werkbereich

SW





TEREX CC 2000

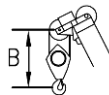
400 TON

Working speeds
Vitesses de travail

Arbeitsgeschwindigkeiten
Werksnelheden

Mechanisms Mécanismes Antriebe Aandrijvingen	Speeds Vitesses Geschwindigkeiten Snelheden	Rope diameter Diamètre du câble Seildurchmesser Kabeldiameter	Single line pull Effort sur brin simple Zulässiger Seilzug je strang Toegelaten trekkracht / part	Length of ropes Longueur des cables Länge der Seile Kabellänge
Main hoist Levage sur flèche Hubwerk 1 Hijslier 1	72 m/min		125 kN	850 m
Auxiliary hoist Levage auxiliaire Hubwerk 2 Hijslier 2	101 m/min		98 kN	750 m
Boom hoist Relevage de flèche Einziehwerk Toplier hoofdmast	40 m/min			
Luffing hoist Relevage de fléchette Wippwerk Toplier wipper	50 m/min			
Slewing gear Orientation Drehwerk Zwenkwerk	1.1 RPM			
Travel speed Vitesse sur route Fahrgeschwindigkeit Rijsnelheid	Low 0 – 0.7 km/h High 0 – 1.4 km/h			

Hook Block / Crane hook Crochet mouflé / Crochet simple



Unterflasche / Hakengehänge Kraanblok / Kraanhaak

Capacity Capacité Tragfähigkeit Capaciteit	Number of sheaves Nombre de poulies Anzahl der Rollen Aantal schijven	Number of lines Nombre de brins Strangzahl Aantal parten	Weight Poids Gewicht Gewicht	"B"
SWL 400 t	16	32	5565 kg	3.8 m
SWL 300 t	13	26	4150 kg	3.5 m
SWL 125 t	6	12 / 13	3040 kg	2.5 m
SWL 35 t	1	3	1160 kg	2.0 m