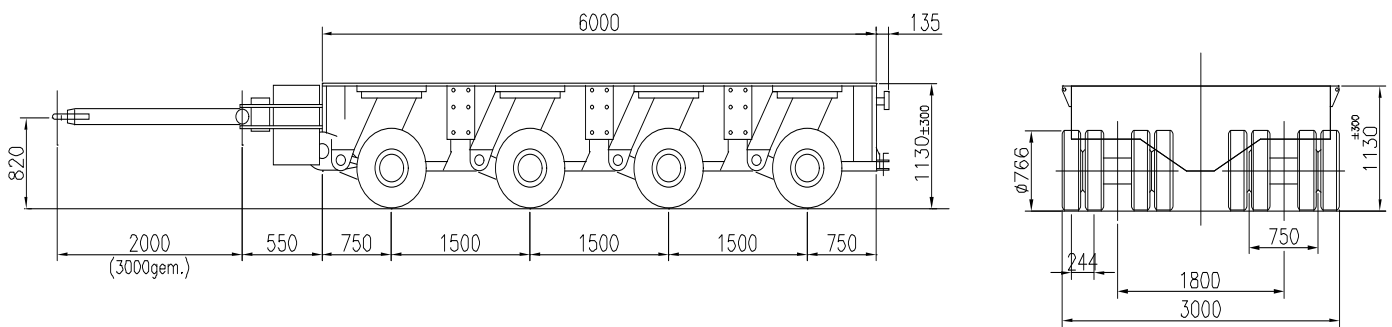




GOLDHOFER THP/L Hydraulic platform trailers



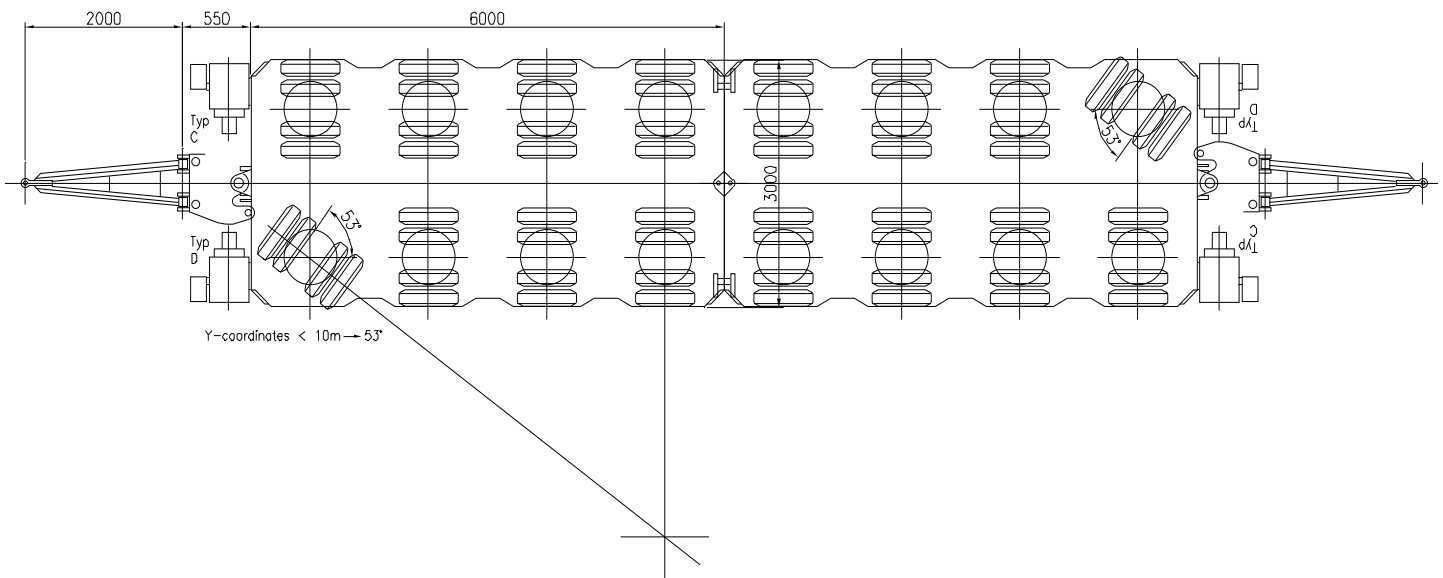
- | | |
|--|------------|
| • Platform height in lowered condition, loaded | 865 mm |
| • Platform height in driving condition, loaded | 1165 mm |
| • Aksel load compensation stroke | +/- 300 mm |
| • Platform length | 6000 mm |
| • Platform breadth | 3000 mm |
| • Max speed loaded up to 62 tonnes | 60 km/h |
| • Max speed loaded up to 80 tonnes | 30 km/h |



Sarens AS

Finstadgården - Postboks 733 - N-7651 Verdal, Norway
 Phone: +47 74 04 65 80 - Fax: +47 74 07 61 50 - Email: sarens@sarens.no
 Url: www.sarens.no - Organization no: No 951 671 053 MVA

8 axle lines



General information:

Net load:	11.200 kg	Net axle load:	2800 kg
Pay load:	68.800 kg	Net capacity per axle:	17.200 kg
Gross load:	80.000 kg	Gross axle load:	20.000 kg
Max speed unloaded:	80 km/h	Number of axles:	4
Max axle stroke:	600 mm	Number of brake axles:	2

Trailer equipped with hydraulic power pack for lifting/lowering of platform and for steering operations. Steering either mechanically by draw bar or hydraulically. Hydraulic steering can be done by remote control. Draw bar (length 2550 mm) of standard Norwegian type (Ø 57mm)



Sarens AS

Finstadgården - Postboks 733 - N-7651 Verdal, Norway
 Phone: +47 74 04 65 80 - Fax: +47 74 07 61 50 - Email: sarens@sarens.no
 Url: www.sarens.no - Organization no: No 951 671 053 MVA