

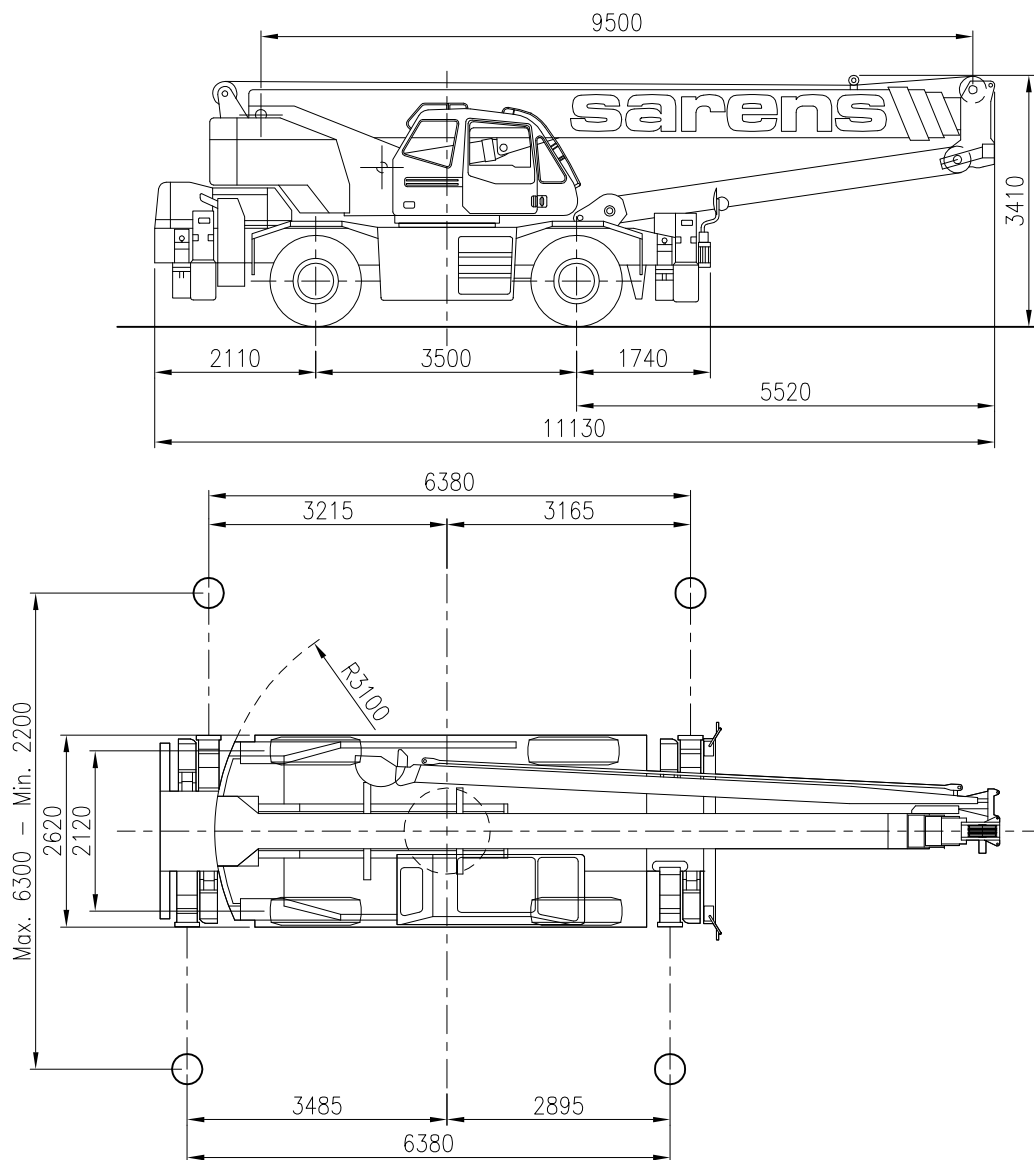


**sarens**  
group

[www.sarens.com](http://www.sarens.com)

## TADANO TR 250 M

**30 TON**



1/100

nothing too heavy, nothing too high





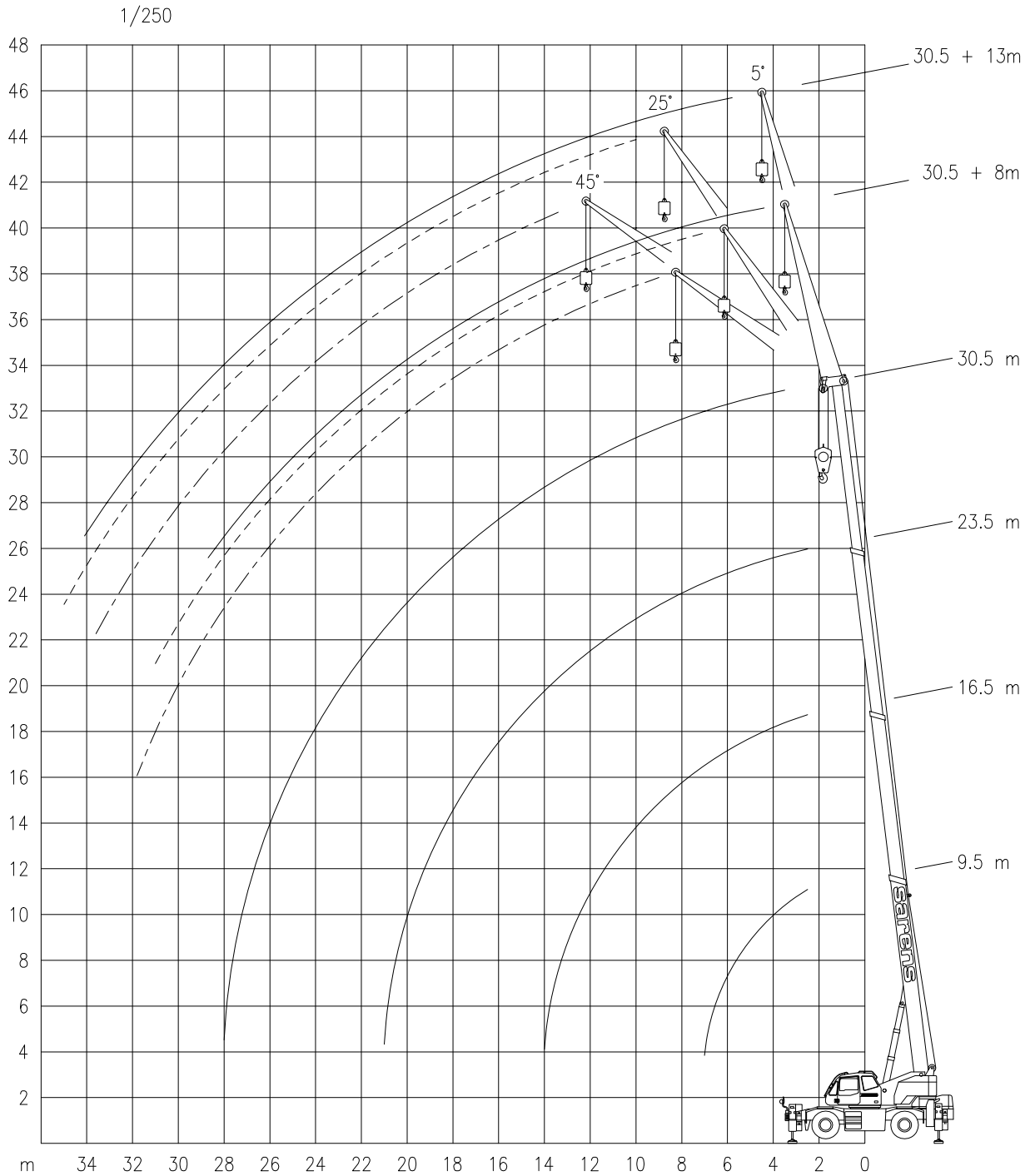
# TADANO TR 250 M

Working ranges  
Portées

## 30 TON

Arbeitsbereiche  
Werkbereich

### T / TK



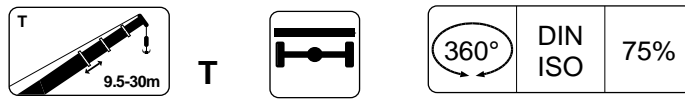
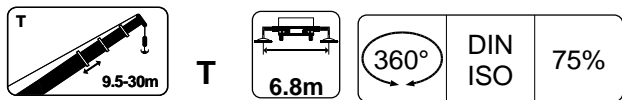


# TADANO TR 250 M

## 30 TON

Lifting capacities  
Capacités

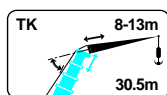
Tragfähigkeiten  
Capaciteiten



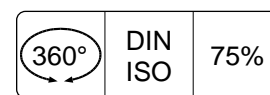
m	9.5 m				16.5 m				23.5 m				30.5 m			
	t	t	t	t	t	t	t	t	t	t	t	t	t	t	t	t
2.5	25.0	19.0	12.5	-												
3.0	25.0	19.0	12.5	-												
3.5	25.0	19.0	12.5	7.0												
4.0	23.0	19.0	12.5	7.0												
4.5	21.2	18.0	12.5	7.0												
5.0	19.4	16.7	12.5	7.0												
5.5	17.8	15.6	11.8	7.0												
6.0	16.3	14.6	11.1	7.0												
6.5	15.1	13.8	10.5	7.0												
7.0	13.7	13.0	10.0	7.0												
8.0	-	10.6	9.0	7.0												
9.0	-	8.5	8.2	6.3												
10.0	-	7.1	7.3	5.8												
11.0	-	5.9	6.4	5.3												
12.0	-	5.0	5.5	4.9												
13.0	-	4.2	4.8	4.5												
14.0	-	3.6	4.1	4.2												
15.0	-	-	3.6	3.8												
16.0	-	-	3.2	3.5												
17.0	-	-	2.8	3.1												
18.0	-	-	2.5	2.7												
19.0	-	-	2.2	2.5												
20.0	-	-	1.9	2.2												
21.0	-	-	1.7	2.0												
22.0	-	-	-	1.8												
24.0	-	-	-	1.4												
26.0	-	-	-	1.2												
28.0	-	-	-	1.0												

9.5 m			16.5 m			23.5 m			9.5 m			16.5 m			23.5 m		
t	t	t	t	t	t	t	t	t	t	t	t	t	t	t	t	t	t
-	-	-	-	-	-	-	-	-	-	-	-	-	-	-	-	-	
9.0	7.3	-	7.0*	5.1*	-												
7.6	7.3	4.5	6.2*	5.1*	3.2*												
6.3	5.9	4.5	5.3*	4.9*	3.2*												
5.2	4.8	4.5	4.4*	4.0*	3.2*												
4.3	4.0	4.3	3.6*	3.3*	3.2*												
3.6	3.3	3.7	3.0*	2.7*	3.1*												
3.0	2.8	3.2	2.5*	2.3*	2.7*												
2.5	2.4	2.8	2.1*	1.9*	2.3*												
2.0	2.0	2.4	1.7*	1.6*	2.0*												
-	1.4	1.8	-	1.1*	1.5*												
-	1.0	1.4	-	0.7*	1.1*												
-	0.6	1.1	-	-	0.8*												
-	-	0.8	-	-	0.6*												

\*Max. 1.6 km/h  
Over rear or front



TK



Main boom Flèche princ Hauptausl. Hoofdgiel	Folding jib Fl. Pliante Klappspitze Klapjib	5°		25°		45°			
		m	t	m	t	m	t		
30.5 m	8.0 m	4.4	3.0	7.1	2.1	9.0	1.6		
		9.4	3.0	12.0	2.1	13.6	1.6		
		12.2	3.0	14.7	2.1	16.0	1.6		
		13.5	2.8	15.9	2.1	17.3	1.6		
		16.5	2.4	18.8	1.8	20.0	1.5		
		19.4	2.0	21.6	1.6	22.5	1.4		
		22.1	1.5	24.1	1.4	24.8	1.2		
		24.6	1.1	26.4	1.0	26.9	1.0		
	13.0 m	5°	26.9	0.8	28.4	0.7	28.7	0.7	
			29.1	0.6	30.2	0.5	-	-	
			31.0	0.4	31.8	0.4	-	-	
			25°	5.8	2.0	10.0	1.2	13.4	0.8
				11.7	2.0	15.5	1.2	18.3	0.8
				14.8	1.8	18.4	1.1	20.9	0.8
				16.2	1.7	19.8	1.1	22.2	0.8
				19.8	1.4	23.1	1.0	25.1	0.8
23.1	1.2	26.1		0.9	27.8	0.8			
26.2	1.1	29.0		0.9	30.3	0.7			
29.0	0.9	31.4		0.8	32.4	0.7			
45°	31.5	0.6	33.5	0.6	34.1	0.6			
	33.6	0.4	35.0	0.4	-	-			



# TADANO TR 250 M

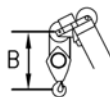
## 30 TON

**Working speeds**  
**Vitesses de travail**

**Arbeitsgeschwindigkeiten**  
**Werksnelheden**

Mechanisms Mécanismes Antriebe Aandrijvingen	Speeds Vitesses Geschwindigkeiten Snelheden	Rope diameter Diamètre du câble Seildurchmesser Kabeldiameter	Single line pull Effort sur brin simple Zulässiger Seilzug je strang Toegelaten trekkracht / part	Length of ropes Longueur des câbles Länge der Seile Kabellänge
Main hoist Levage sur flèche Hubwerk 1 Hijlslier 1	0 – 120 m/min	16 mm	35 kN	175 m
Auxiliary hoist Levage sur fléchette Hubwerk 2 Hijlslier 2	0 – 120 m/min	16 mm	31 kN	
Slewing gear Orientation Drehwerk Zwenkwerk	0 – 3 RPM			
Travel speed Vitesse sur route Fahrgeschwindigkeit Rijsnelheid	0 – 49 km/h			
Booming up Relever la flèche 83° Aufwippen Optoppen	43 sec			
Telescope Téléscoper 9.5 - 30.5 Teleskopieren m m Telescoperen	90 sec			

**Hook Block / Crane hook**  
**Crochet mouflé / Crochet simple**



**Unterflasche / Hakengehänge**  
**Kraanblok / Kraanhaak**

Capacity Capacité Tragfähigkeit Capaciteit	Number of sheaves Nombre de poulies Anzahl der Rollen Aantal schijven	Number of lines Nombre de brins Strangzahl Aantal parten	Weight Poids Gewicht Gewicht	“B”
SWL 25.0 t	4	8	260 kg	2.5 m
SWL 12.0 t	2	4	170 kg	1.5 m
SWL 3.5 t	-	1	60 kg	1.0 m

V.2011-10-21