



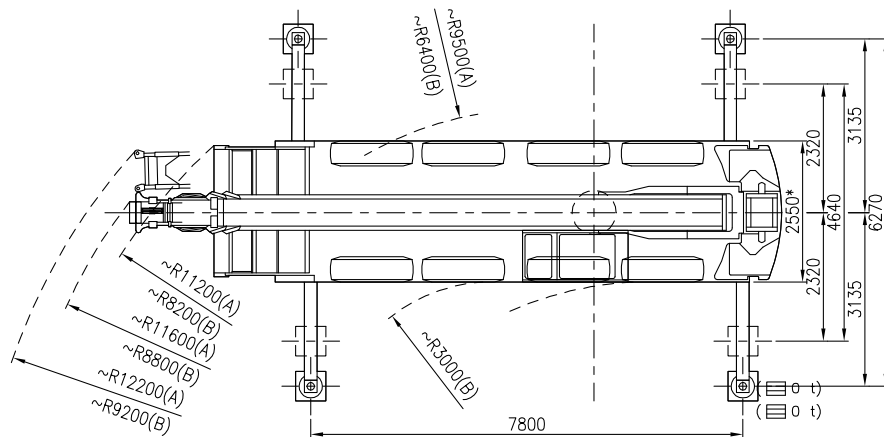
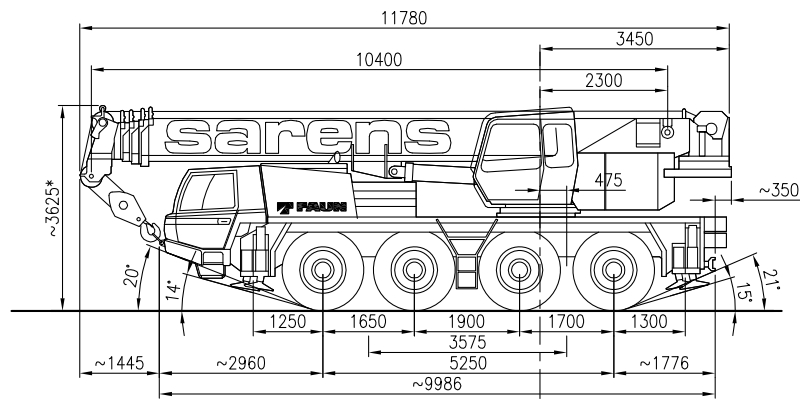
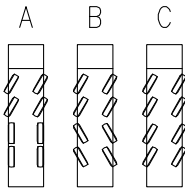
**sarens**  
group

[www.sarens.com](http://www.sarens.com)

# TADANO FAUN ATF 60-4

## 60 TON

\* : ± 100 mm



Axle load / Charge par essieu / Achslast / Aslast  
 Total weight / Poids total / Gesamtgewicht / Totaal gewicht  
 Tyres / Pneus / Bereifung / Banden

: 4 x 11 t (☐ 0 t)  
 : 44 t (☐ 0 t)  
 : 14.00 R 25

nothing too heavy, nothing too high





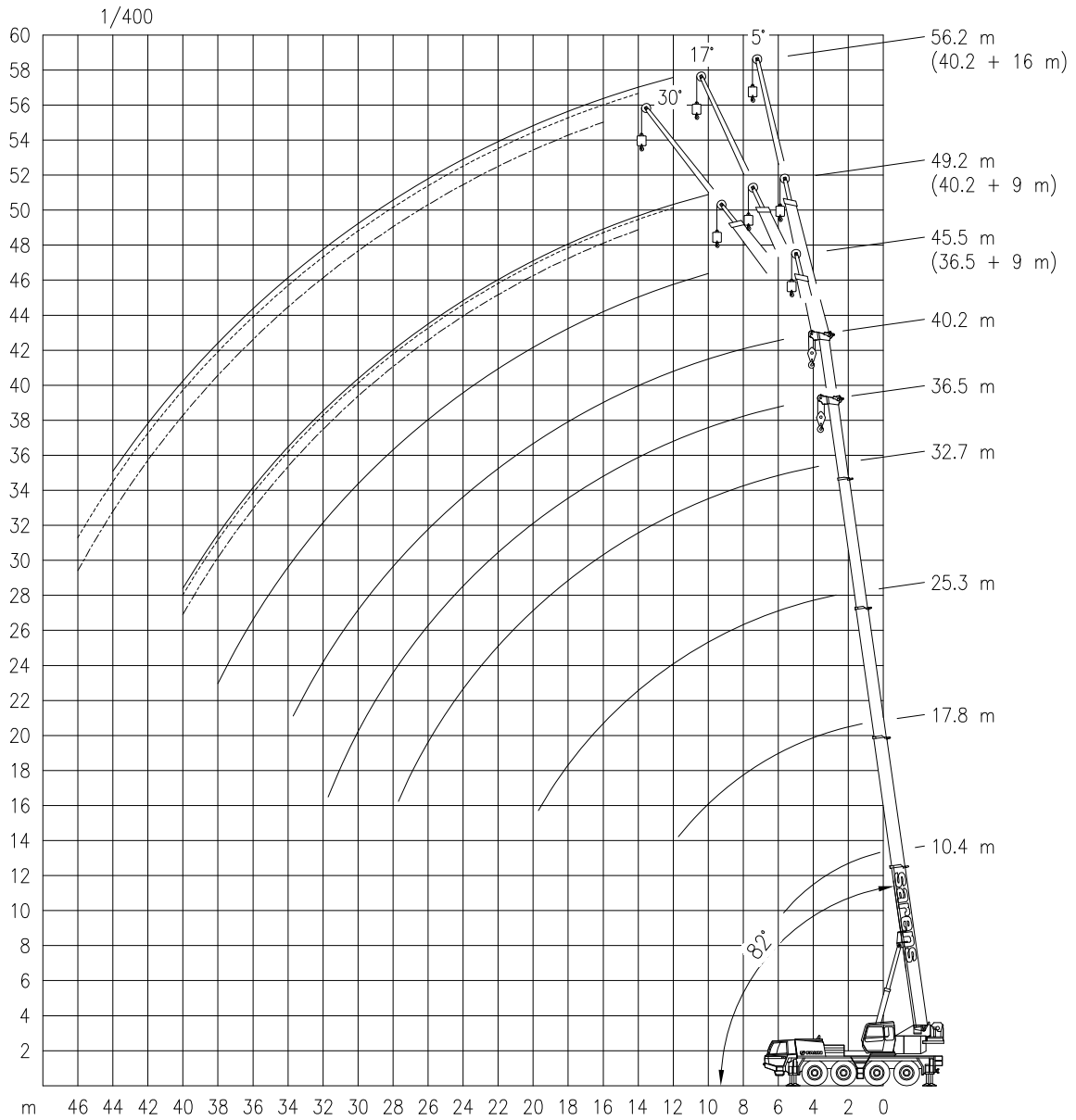
# TADANO FAUN ATF 60-4

# 60 TON

Working ranges  
Portées

Arbeitsbereiche  
Werkbereich

Ha + HaV



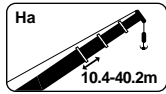


# TADANO FAUN ATF 60-4

# 60 TON

Lifting capacities  
Capacités

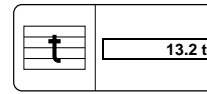
Tragfähigkeiten  
Capaciteiten



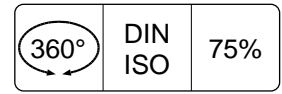
Ha



6.27m



13.2 t



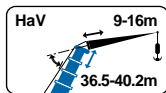
360°

DIN  
ISO

75%

m	10.4 m	17.8 m	17.8 m	17.8 m	25.3 m	25.3 m	25.3 m	32.7 m	32.7 m	36.5 m	40.2 m
	t	t	t	t	t	t	t	t	t	t	t
2.5	60.0 !*	-	-	-	-	-	-	-	-	-	-
3.0	50.0	-	-	-	-	-	-	-	-	-	-
3.5	44.8	20.0	30.0	13.0	-	-	-	-	-	-	-
4.0	41.0	20.0	29.0	13.0	-	-	-	-	-	-	-
4.5	37.0	20.0	27.5	13.0	-	-	-	-	-	-	-
5.0	34.3	20.0	26.2	13.0	13.0	17.0	11.8	-	-	-	-
6.0	29.8	20.0	22.6	13.0	13.0	17.0	11.8	13.0	9.5	-	-
7.0	25.3	20.0	19.4	13.0	13.0	15.8	11.8	13.0	9.2	-	-
8.0	16.9	20.0	17.5	13.0	13.0	14.5	11.8	13.0	8.8	9.0	7.0
9.0	-	18.4	15.6	13.0	13.0	13.3	11.4	12.0	8.5	8.8	7.0
10.0	-	15.5	14.4	13.0	13.0	12.0	11.0	11.0	8.1	8.5	7.0
12.0	-	11.4	10.8	12.6	12.1	9.8	10.1	9.2	7.4	8.1	7.0
14.0	-	8.8	8.2	9.9	9.8	8.2	8.8	7.8	6.7	7.6	6.5
16.0	-	-	-	-	7.8	6.6	7.7	6.7	5.8	6.5	6.1
18.0	-	-	-	-	6.3	5.1	6.8	5.8	5.1	5.6	5.3
20.0	-	-	-	-	5.2	4.0	5.8	4.8	4.5	4.9	4.6
22.0	-	-	-	-	4.3	3.1	4.9	3.9	4.0	4.1	4.1
24.0	-	-	-	-	-	-	-	3.2	3.6	3.3	3.6
26.0	-	-	-	-	-	-	-	2.6	3.2	2.7	3.0
28.0	-	-	-	-	-	-	-	2.1	2.9	2.2	2.5
30.0	-	-	-	-	-	-	-	1.6	2.7	1.8	2.0
32.0	-	-	-	-	-	-	-	-	-	1.5	1.7
34.0	-	-	-	-	-	-	-	-	-	1.1	1.4
36.0	-	-	-	-	-	-	-	-	-	-	1.1

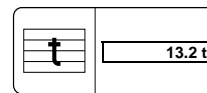
1	0	50	100	0	50	100	0	100	0	100	100
2	0	50	0	33	50	100	67	100	100	100	100
3	0	0	0	33	50	0	67	50	100	75	100
4	0	0	0	33	50	0	67	50	100	75	100



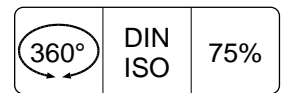
HaVSL



6.27m



13.2 t



360°

DIN  
ISO

75%

m	36.5 m			40.2 m						
	9.0 m			9.0 m			16.0 m			
	5°	17°	30°	5°	17°	30°	5°	17°	30°	
10.0	4.8	-	-	3.8	-	-	-	-	-	-
12.0	4.8	4.0	3.0	3.8	3.4	-	2.2	-	-	-
14.0	4.6	3.8	2.9	3.8	3.4	2.8	2.2	1.8	-	-
16.0	4.4	3.5	2.7	3.7	3.3	2.7	2.2	1.8	1.3	-
18.0	4.2	3.2	2.5	3.6	3.1	2.6	2.2	1.8	1.3	-
20.0	3.8	2.9	2.4	3.5	3.0	2.5	2.1	1.7	1.3	-
22.0	3.4	2.7	2.3	3.3	2.9	2.4	2.0	1.6	1.3	-
24.0	3.1	2.6	2.2	3.2	2.7	2.3	1.9	1.5	1.2	-
26.0	2.9	2.4	2.1	2.8	2.6	2.2	1.9	1.5	1.2	-
28.0	2.4	2.3	2.0	2.4	2.4	2.1	1.7	1.4	1.2	-
30.0	1.9	2.0	1.9	2.0	2.1	2.0	1.6	1.3	1.1	-
32.0	1.5	1.6	1.7	1.6	1.7	1.8	1.5	1.3	1.1	-
34.0	1.2	1.3	1.3	1.3	1.4	1.5	1.4	1.2	1.0	-
36.0	0.9	0.9	1.0	1.0	1.1	1.1	1.3	1.1	1.0	-
38.0	0.6	0.7	0.7	0.7	0.8	0.8	1.2	1.1	1.0	-
40.0	-	0.4	0.4	0.5	0.5	0.6	0.9	1.0	0.9	-
42.0	-	-	-	-	-	-	0.8	0.9	0.9	-
44.0	-	-	-	-	-	-	0.6	0.7	0.8	-
46.0	-	-	-	-	-	-	-	0.5	0.5	-

!\* Over rear / En arrière / Nach hinten / Over achterzijde.



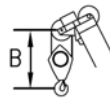
# TADANO FAUN ATF 60-4

# 60 TON

**Working speeds**  
**Vitesses de travail**

**Arbeitsgeschwindigkeiten**  
**Werksnelheden**

Mechanisms Mécanismes Antriebe Aandrijvingen	Speeds Vitesses Geschwindigkeiten Snelheden	Rope diameter Diamètre du câble Seildurchmesser Kabeldiameter	Single line pull Effort sur brin simple Zulässiger Seilzug je strang Toegelaten trekkraft / part	Length of ropes Longueur des cables Länge der Seile Kabellengte
Main hoist Levage sur flèche Hubwerk 1 Hijslier 1	0 – 130 m/min		52 kN	
Slewing gear Orientation Drehwerk Zwenkwerk	0 – 2 RPM			
Travel speed Vitesse sur route Fahrgeschwindigkeit Rijsnelheid	0 – 80 km/h			
Booming up Relever la flèche Aufwippen Optoppen	82° 33 sec			
Telescope Téléscoper Teleskopieren Telescoperen	10.4 – 40.2m 90 sec			



## Hook block/Crane hook

## Unterflasche/Hakengehänge

Capacity Capacité Tragfähigkeit Capaciteit	Number of sheaves Nombre de poulies Anzahl der rollen Aantal schijven	Number of lines Nombre de brins Strangzahl Aantal parten	Weight Poids Gewicht Gewicht	"B"
SWL 32 t				
SWL 6 t	-	1		