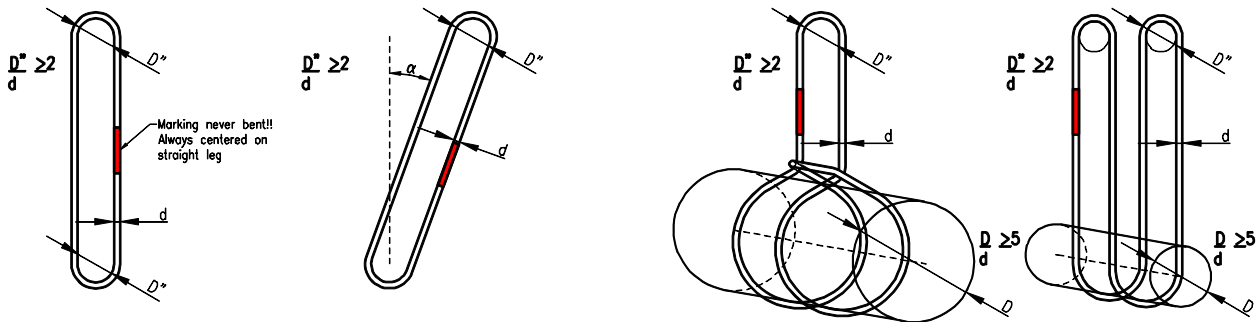


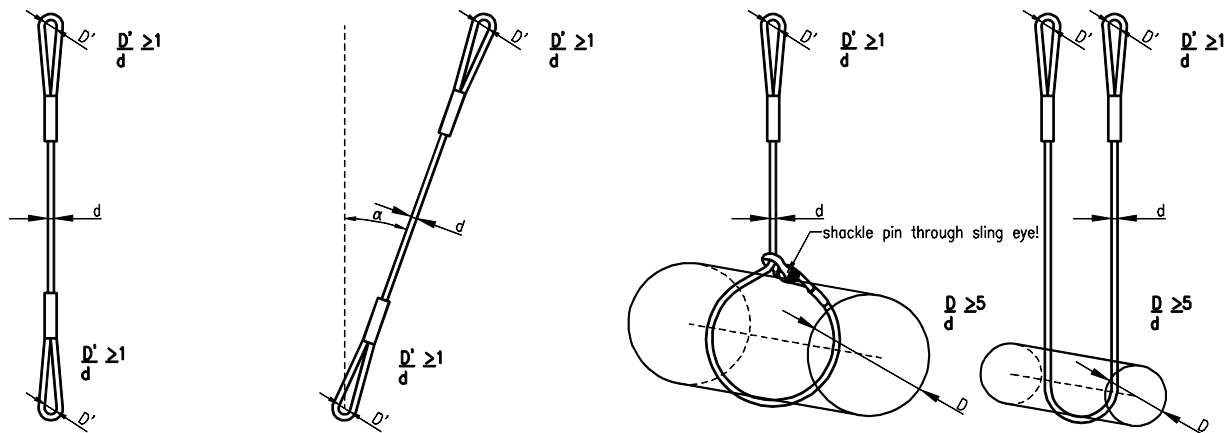


Slings & Grommets

GROMMETS



SLINGS



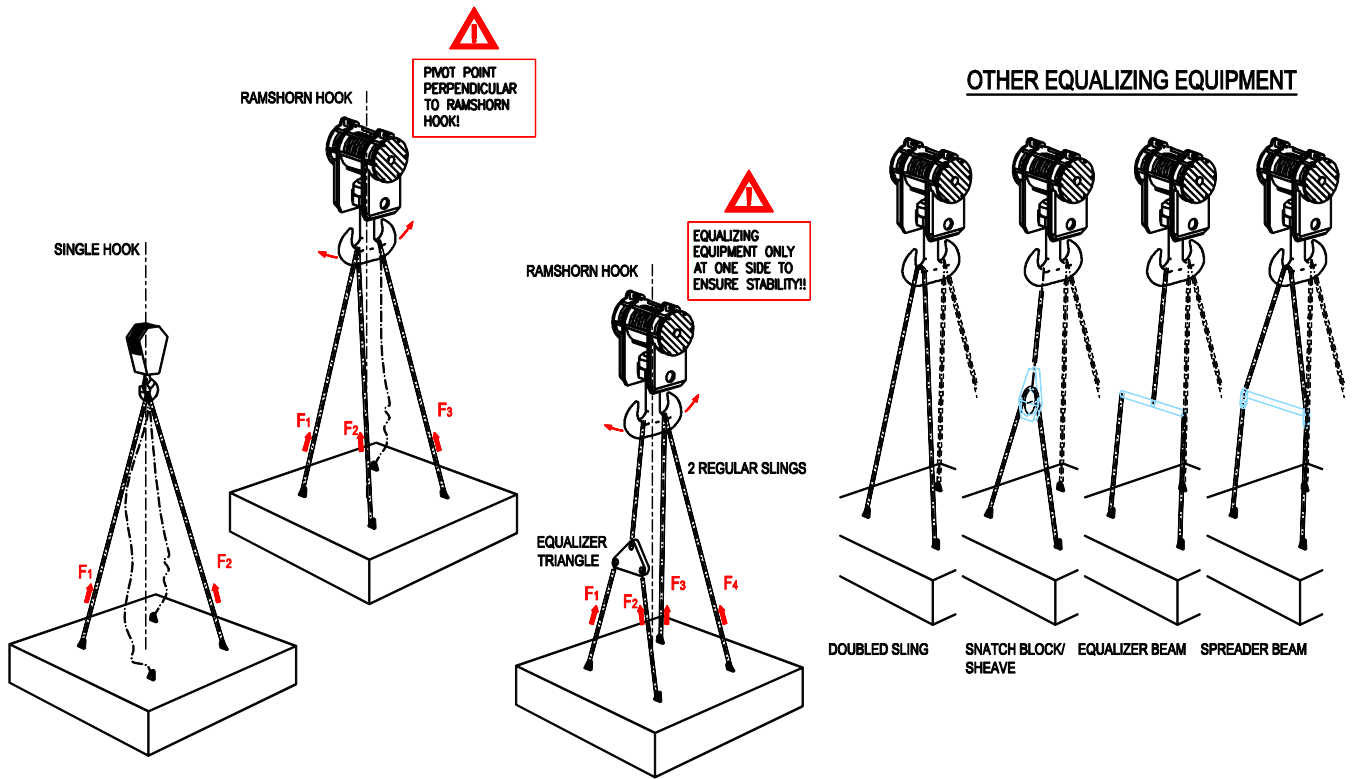
Lift mode	Single	Angular		Choked	Double
Reduction of WLL	1	0.7	$0^\circ < \alpha < 45^\circ$	0.8	2
		0.5	$45^\circ < \alpha < 60^\circ$		
Conditions	Latch sling with chackle				$D/d > 5$
	Ferrule or marking shall never be bent !				
	Unreduced capacity if $D' / d > 1$, $D'' / d > 2$ and $D / d > 5$				





Slings & Grommets

Bearing slings in a 4-point lifting tackle



Hookblock	Single hook	Ramshorn hook	Ramshorn hook + equalizer
N° of slings bearing load	Min. 2	Min. 3	All 4