

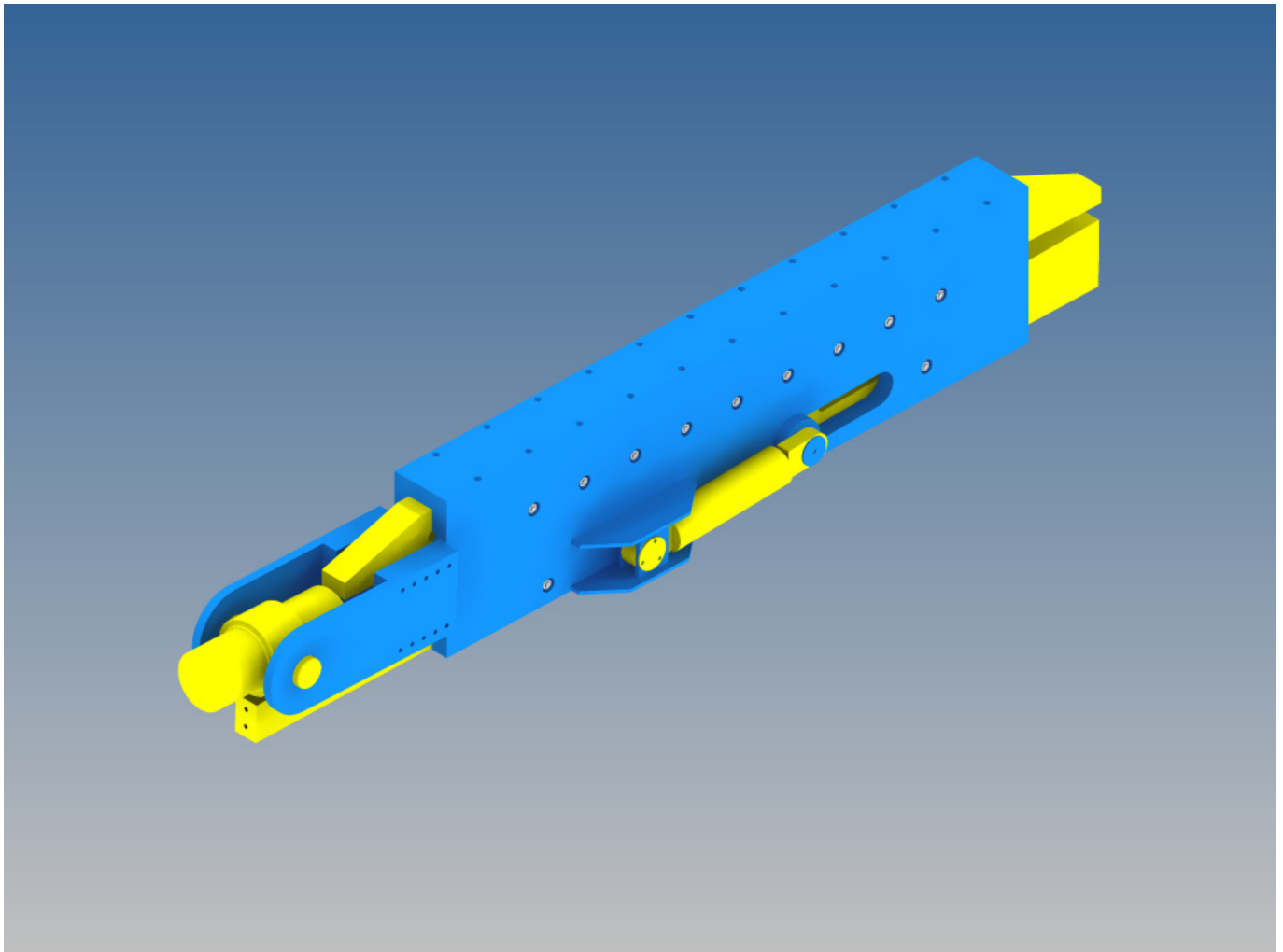


sarens
group

www.sarens.com

Sarens Launching Unit

SLU



nothing too heavy, nothing too high





SARENS LAUNCHING UNIT (SLU)

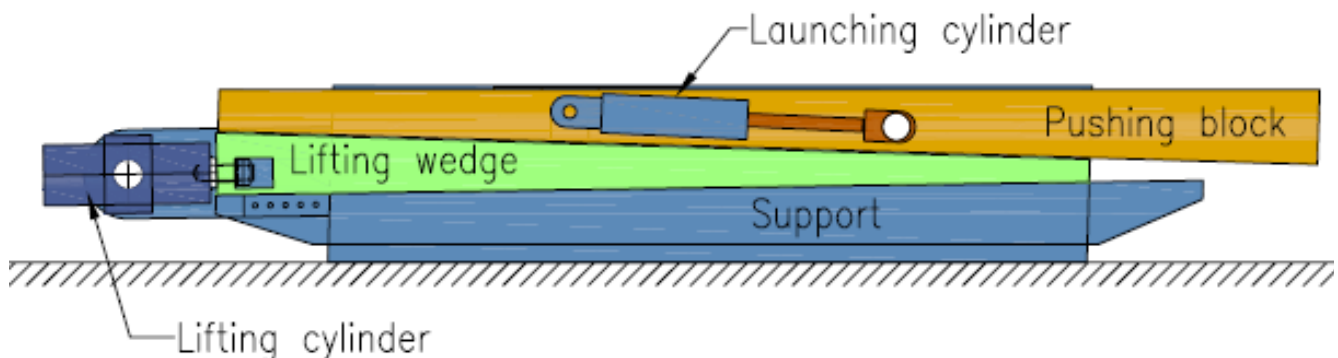
**Kenmerken
Caracteristiques**

**Specifications
Kennzeichen**

The system was built for the skidding of the deck of the bridge of Millau in France in 2003. From both sides the deck of 27m wide and 2460m long (total bridge weight of 290.000 ton) was skidded with the Sarens Launching Unit. The launching system was installed on top of 7 temporary support structures (SMLT: Sarens Multi Lifting Tower) with a maximum height of 168m. During the last steps of the skidding the launching units had a total pushing capacity of 7.680 ton.

General

Basically, each launching unit consists of a lifting cylinder with a capacity of 250 ton. One SLU is designed to launch vertical loads up to 2.000 ton. Furthermore each launching unit is equipped with two 60 tons cylinders, which retract to launch the deck a maximum of 600 mm.



The SLU is designed for launching objects by retracting the launching cylinder. However, it is also possible to use the launching units in the other direction by extending the launching cylinder.





SARENS LAUNCHING UNIT (SLU)

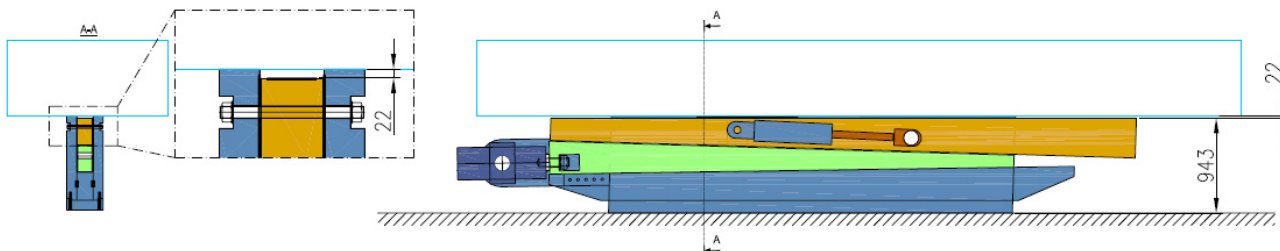
Kenmerken
Caracteristiques

Specifications
Kennzeichen

Launching process

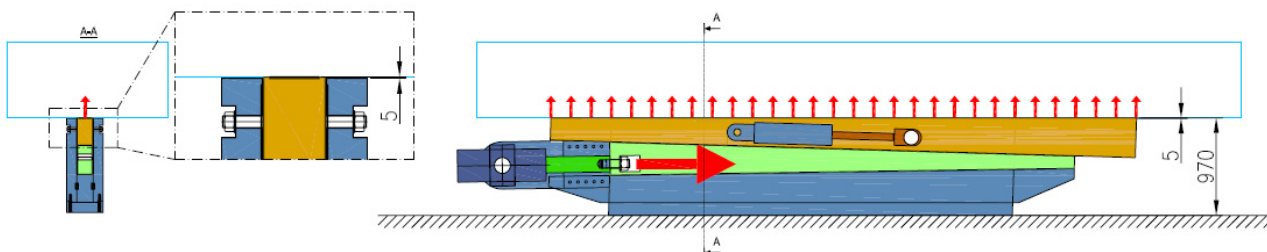
phase 1: *initial position*

The launching cylinder is extended, the pushing cylinder is retracted. All load is supported by the fixed support of the launching unit.



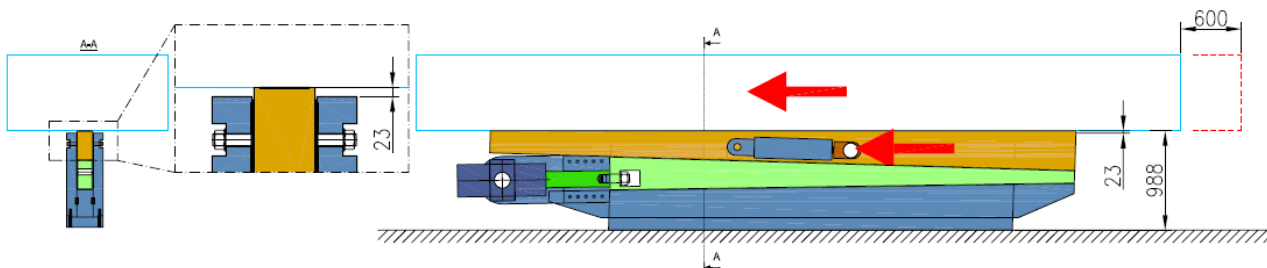
phase 2: *lifting*

By extending the lifting cylinder, the load is transferred from the fixed support to the pushing block.



phase 3: *launching*

By retracting the launching cylinder, the object is moved with a maximum stroke of 600mm.



nothing too heavy, nothing too high



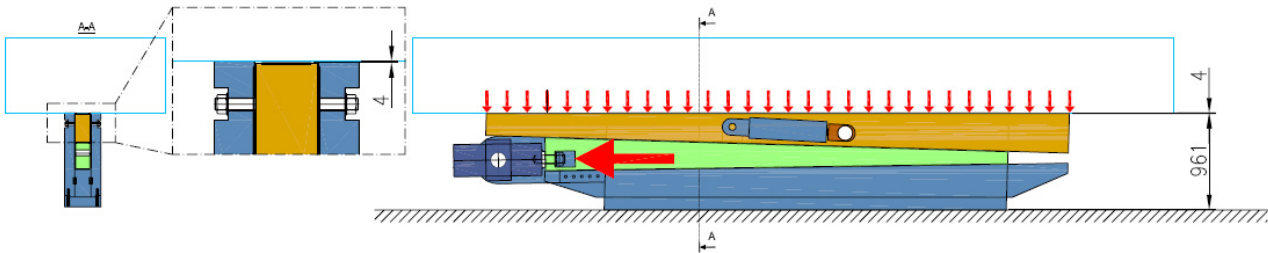
SARENS LAUNCHING UNIT (SLU)

Kenmerken
Caracteristiques

Specifications
Kennzeichen

phase 4: lowering

By retracting the lifting cylinder, the load is transferred from the pushing block to the fixed support of the SLU.



phase 5: final position

