

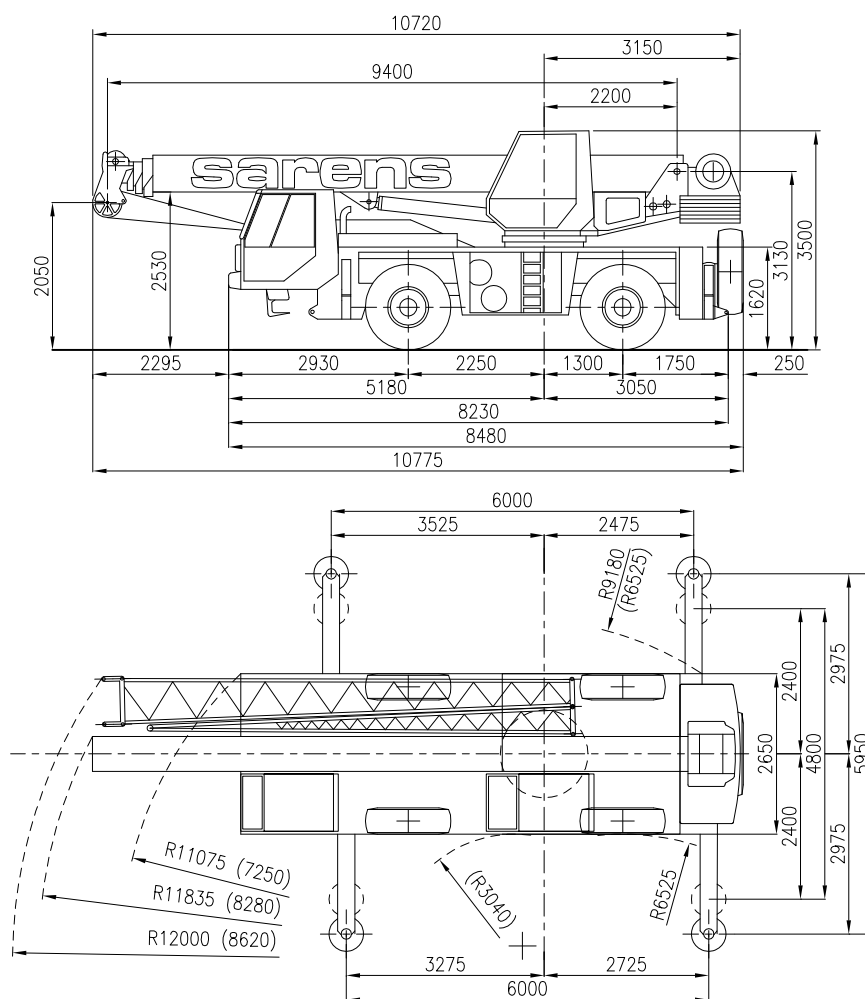


**sarens**  
group

[www.sarens.com](http://www.sarens.com)

**PPM ATT 400**

**35 TON**



Axle load / Charge par essieu / Achslast / Aslast	:	2 x 12 t	(☐ 2.6 t)
Total weight / Poids total / Gesamtgewicht / Totaal gewicht	:	24 t	(☐ 2.6 t)
Tyres / Pneus / Bereifung / Banden	:	16.00 R 25	

nothing too heavy, nothing too high





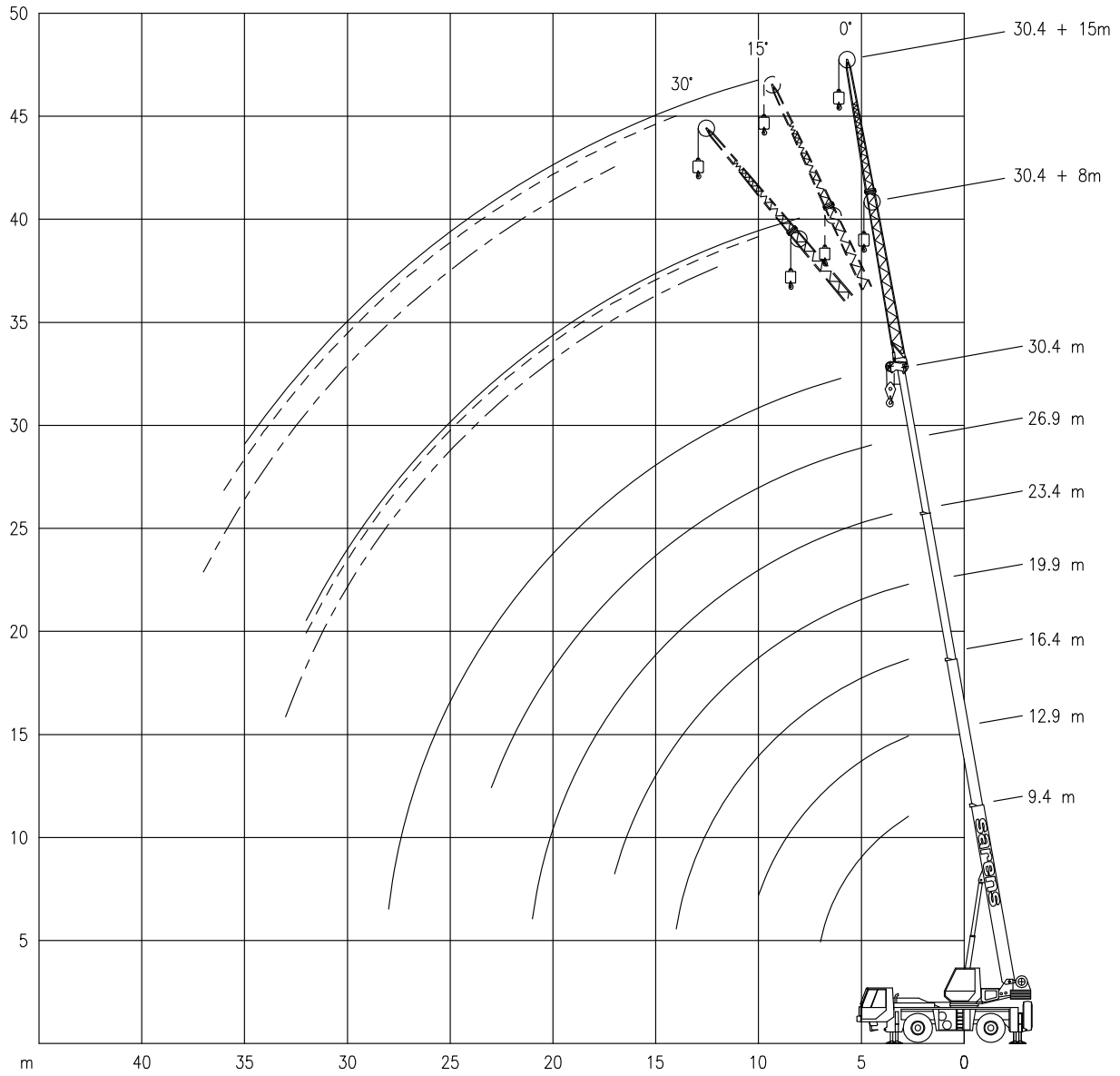
# PPM ATT 400

Working ranges  
Portées

## 35 TON

Arbeitsbereiche  
Werkbereich

### T + TK



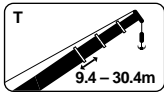


# PPM ATT 400

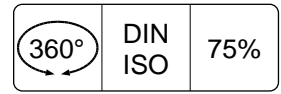
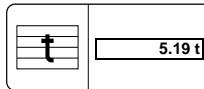
Lifting capacities  
Capacités

# 35 TON

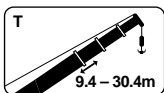
Tragfähigkeiten  
Capaciteiten



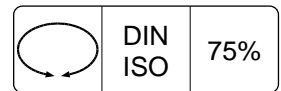
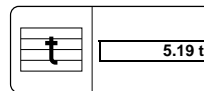
T



m	9.4 m	12.9 m	16.4 m	19.9 m	23.4 m	26.9 m	30.4 m	9.4 m	12.9 m	16.4 m	19.9 m	23.4 m	26.9 m	30.4 m
	t	t	t	t	t	t	t	t	t	t	t	t	t	t
2.7	35.0	20.2	17.4	12.3	-	-	-	-	-	-	-	-	-	-
3.0	32.0	20.2	17.4	12.3	-	-	-	29.9	20.2	17.4	12.3	-	-	-
3.5	27.4	20.2	17.4	12.3	11.0	-	-	26.4	20.2	17.4	12.3	11.0	-	-
4.0	23.7	20.2	17.4	12.3	11.0	-	-	23.6	20.2	17.4	12.3	11.0	-	-
4.5	20.7	20.2	17.4	12.3	11.0	10.2	-	20.7	20.2	17.4	12.3	11.0	10.2	-
5.0	18.1	19.0	17.4	12.3	11.0	10.0	-	18.1	19.0	17.4	12.3	11.0	10.0	-
6.0	14.0	15.5	15.5	12.1	10.5	8.8	8.0	14.0	14.2	14.1	12.1	10.5	8.8	8.0
7.0	10.5	13.0	12.9	10.7	9.3	7.8	7.3	10.5	10.6	10.6	10.5	9.3	7.8	7.3
8.0	-	10.7	10.8	9.5	8.3	7.1	6.5	-	8.3	8.3	8.3	8.2	7.1	6.5
9.0	-	8.9	8.8	8.6	7.4	6.4	5.9	-	6.5	6.5	6.5	6.4	6.4	5.9
10.0	-	7.25	7.4	7.3	6.8	5.9	5.4	-	5.2	5.2	5.2	5.2	5.9	5.4
11.0	-	-	6.3	6.2	6.1	5.5	5.0	-	-	4.6	4.5	4.5	5.2	5.0
12.0	-	-	5.3	5.3	5.3	5.1	4.6	-	-	3.8	3.8	3.8	4.4	4.4
13.0	-	-	4.6	4.6	4.6	4.5	4.2	-	-	3.3	3.2	3.2	3.7	3.7
14.0	-	-	3.9	3.9	3.9	4.2	3.9	-	-	2.7	2.7	2.7	3.2	3.2
15.0	-	-	-	3.4	3.3	3.7	3.6	-	-	-	2.3	2.3	2.7	2.7
16.0	-	-	-	2.9	2.9	3.3	3.3	-	-	-	1.9	1.9	2.4	2.4
17.0	-	-	-	2.5	2.5	2.9	2.9	-	-	-	1.6	1.6	2.0	2.0
18.0	-	-	-	-	2.1	2.6	2.6	-	-	-	-	1.3	1.8	1.8
19.0	-	-	-	-	1.8	2.2	2.2	-	-	-	-	1.1	1.5	1.5
20.0	-	-	-	-	1.6	2.0	2.0	-	-	-	-	0.9	1.4	1.4
21.0	-	-	-	-	1.3	1.7	1.7	-	-	-	-	0.7	1.2	1.2
22.0	-	-	-	-	-	1.6	1.6	-	-	-	-	-	1.1	1.1
23.0	-	-	-	-	-	1.4	1.4	-	-	-	-	-	0.9	0.9
24.0	-	-	-	-	-	1.2	1.2	-	-	-	-	-	0.7	0.7
25.0	-	-	-	-	-	-	1.1	-	-	-	-	-	-	0.7
26.0	-	-	-	-	-	-	1.0	-	-	-	-	-	-	0.5
27.0	-	-	-	-	-	-	0.9	-	-	-	-	-	-	0.4
28.0	-	-	-	-	-	-	0.7	-	-	-	-	-	-	-



T



m	0°							360°						
	9.4 m	12.9 m	16.4 m	19.9 m	23.4 m	26.9 m	30.4 m	9.4 m	12.9 m	16.4 m	19.9 m	23.4 m	26.9 m	30.4 m
	t	t	t	t	t	t	t	t	t	t	t	t	t	t
3.0	9.3	9.1	9.1	-	-	-	-	6.5	6.4	6.4	-	-	-	-
3.5	8.2	8.2	8.1	-	-	-	-	5.6	5.5	5.4	-	-	-	-
4.0	7.3	7.3	7.2	-	-	-	-	4.8	4.7	4.7	-	-	-	-
4.5	6.6	6.5	6.5	-	-	-	-	4.2	4.1	4.1	-	-	-	-
5.0	6.0	5.9	5.8	-	-	-	-	3.7	3.6	3.5	-	-	-	-
6.0	4.9	4.9	4.8	-	-	-	-	2.9	2.8	2.7	-	-	-	-
7.0	4.1	4.1	4.0	-	-	-	-	2.3	2.2	2.1	-	-	-	-
8.0	-	3.4	3.4	-	-	-	-	-	1.7	1.7	-	-	-	-
9.0	-	2.9	2.9	-	-	-	-	-	1.3	1.3	-	-	-	-
10.0	-	2.5	2.4	-	-	-	-	-	1.0	1.0	-	-	-	-
11.0	-	-	2.1	-	-	-	-	-	-	0.7	-	-	-	-
12.0	-	-	1.8	-	-	-	-	-	-	0.5	-	-	-	-
13.0	-	-	1.5	-	-	-	-	-	-	-	-	-	-	-
14.0	-	-	1.3	-	-	-	-	-	-	-	-	-	-	-

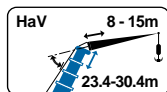


# PPM ATT 400

Lifting capacities  
Capacités

# 35 TON

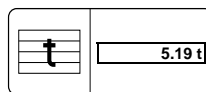
Tragfähigkeiten  
Capaciteiten



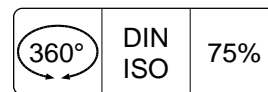
HaV



5.95m



5.19 t



360°

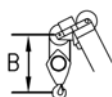
DIN  
ISO

75%

 m	8.0 m (folding jib)					
	23.4 m		26.9 m		30.4 m	
	0°	0°	0°	15°	30°	
t	t	t	t	t	t	
5.0	5.6	-	-	-	-	
6.0	5.6	4.0	-	-	-	
7.0	5.2	4.0	-	-	-	
8.0	4.9	4.0	3.3	-	-	
9.0	4.6	4.0	3.3	-	-	
10.0	4.3	3.8	3.3	3.2	-	
11.0	4.0	3.5	3.3	3.0	-	
12.0	3.8	3.3	3.2	2.8	2.5	
13.0	3.6	3.1	3.0	2.6	2.4	
14.0	3.4	2.9	2.8	2.5	2.3	
15.0	3.3	2.7	2.7	2.4	2.2	
16.0	3.1	2.5	2.5	2.3	2.1	
17.0	3.0	2.4	2.4	2.2	2.0	
18.0	2.6	2.3	2.3	2.1	1.9	
19.0	2.3	2.2	2.2	2.0	1.8	
20.0	2.1	2.1	2.0	1.9	1.8	
21.0	1.8	2.0	1.9	1.8	1.7	
22.0	1.6	1.9	1.8	1.7	1.7	
23.0	1.5	1.7	1.6	1.7	1.6	
24.0	1.3	1.5	1.5	1.6	1.6	
25.0	1.1	1.4	1.3	1.4	1.4	
26.0	1.0	1.3	1.1	1.2	1.3	
27.0	0.8	1.1	1.0	1.1	1.2	
28.0	0.7	1.0	0.9	1.0	1.1	
29.0	0.5	0.9	0.8	0.8	0.9	
30.0	-	0.8	0.7	0.7	0.8	
31.0	-	0.7	0.6	0.6	0.7	
32.0	-	0.6	0.5	0.5	0.6	
33.0	-	-	-	0.5	0.5	

 m	15.0 m (folding jib)		
	30.4 m		
	0°	15°	30°
t	t	t	t
10.0	1.7	-	-
11.0	1.7	-	-
12.0	1.7	-	-
13.0	1.7	-	-
14.0	1.7	1.4	-
15.0	1.7	1.4	-
16.0	1.6	1.3	-
17.0	1.6	1.3	1.1
18.0	1.6	1.2	1.0
19.0	1.5	1.2	1.0
20.0	1.5	1.2	1.0
21.0	1.4	1.2	1.0
22.0	1.4	1.1	1.0
23.0	1.3	1.1	1.0
24.0	1.3	1.1	0.9
25.0	1.3	1.1	0.9
26.0	1.2	1.0	0.9
27.0	1.2	1.0	0.9
28.0	1.1	1.0	0.9
29.0	1.0	1.0	0.9
30.0	0.9	1.0	0.9
31.0	0.7	0.9	0.9
32.0	0.7	0.8	0.9
33.0	0.6	0.7	0.8
34.0	0.5	0.6	0.7
35.0	0.4	0.5	0.6
36.0	-	0.5	0.5
37.0	-	-	0.4

## Hook Block / Crane hook Crochet mouflé / Crochet simple



## Unterflasche / Hakengehänge Kraanblok / Kraanhaak

Capacity Capacité Tragfähigkeit Capaciteit	Number of sheaves Nombre de poulies Anzahl der Rollen Aantal schijven	Number of lines Nombre de brins Strangzahl Aantal parten	Weight Poids Gewicht Gewicht	"B"
SWL 35 t !*	4	8	400 kg	2.55 m
SWL 25 t !*	3	6	380 kg	2.55 m
SWL 15 t	1	3	212 kg	2.55 m
SWL 5 t	-	1	90 kg	1.60 m