

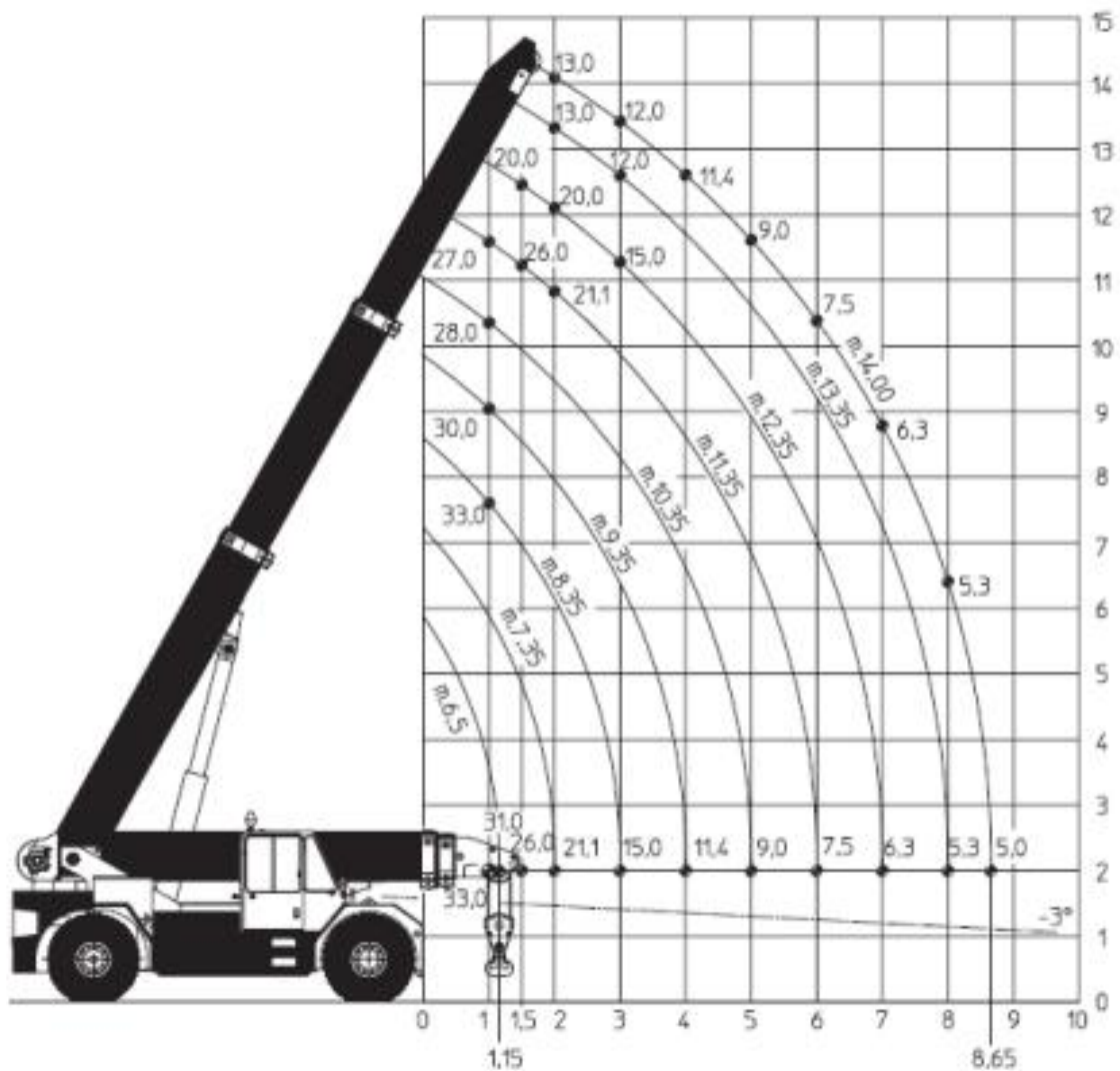


sarens
group

www.sarens.com

Ormig 33 tm E/L

33 ton



nothing too heavy, nothing too high





Ormig 33 tmE / L

Technical
Technique

33ton

Technisch
Technisch

Technical Features	
Tyres	14.00-24
Lifting capacity at 1 m from front plate	DIN 33 t - SAE 36 t
Capacity of each tyre	max. static 18000 kg
Drive	Front
Power source	96 Volt 1400 Ah
Boom height	14,5 m
Electric motor	36 Kw
Hydraulic and services motor	26 Kw
Working outreach	8,65 m
Max. speed	8,45 Km/h
Boom angle	- 3° + 61°

Other load charts are available on demand.

V.2012-07-12

nothing too heavy, nothing too high

