

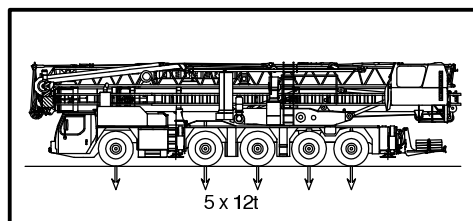
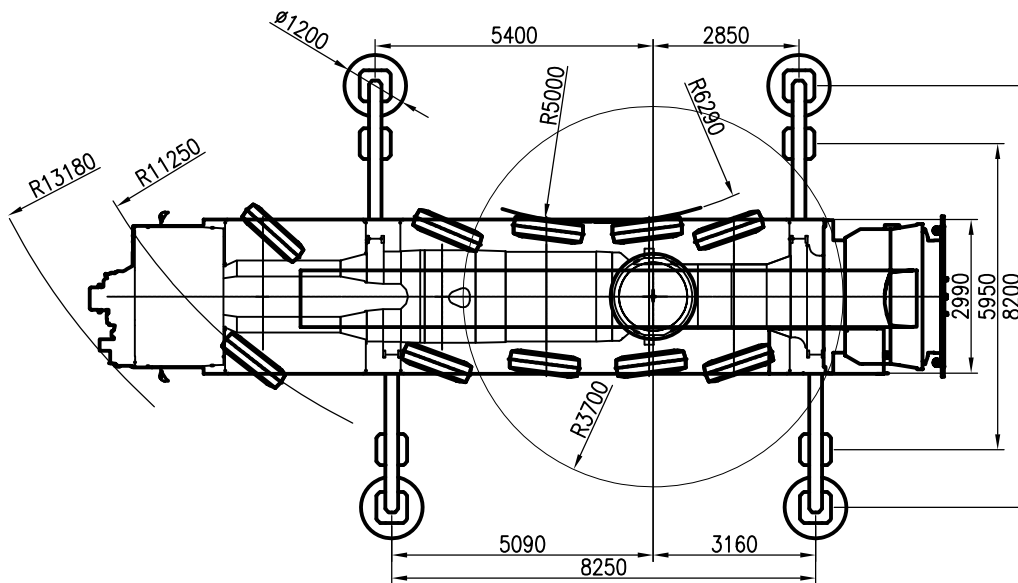
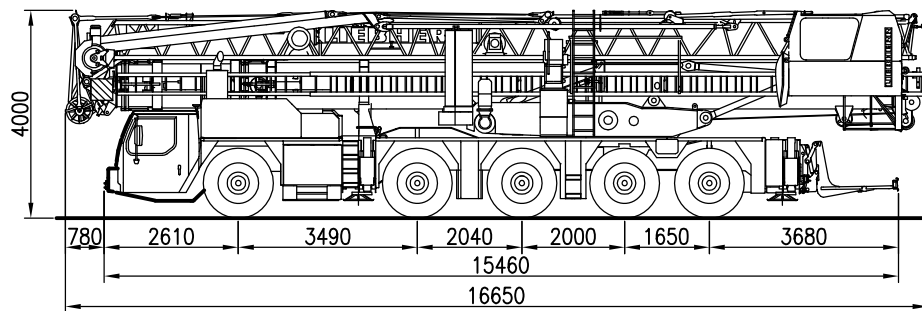


**sarens**  
group

[www.sarens.com](http://www.sarens.com)

## LIEBHERR MK 100

### 52 METER



nothing too heavy, nothing too high





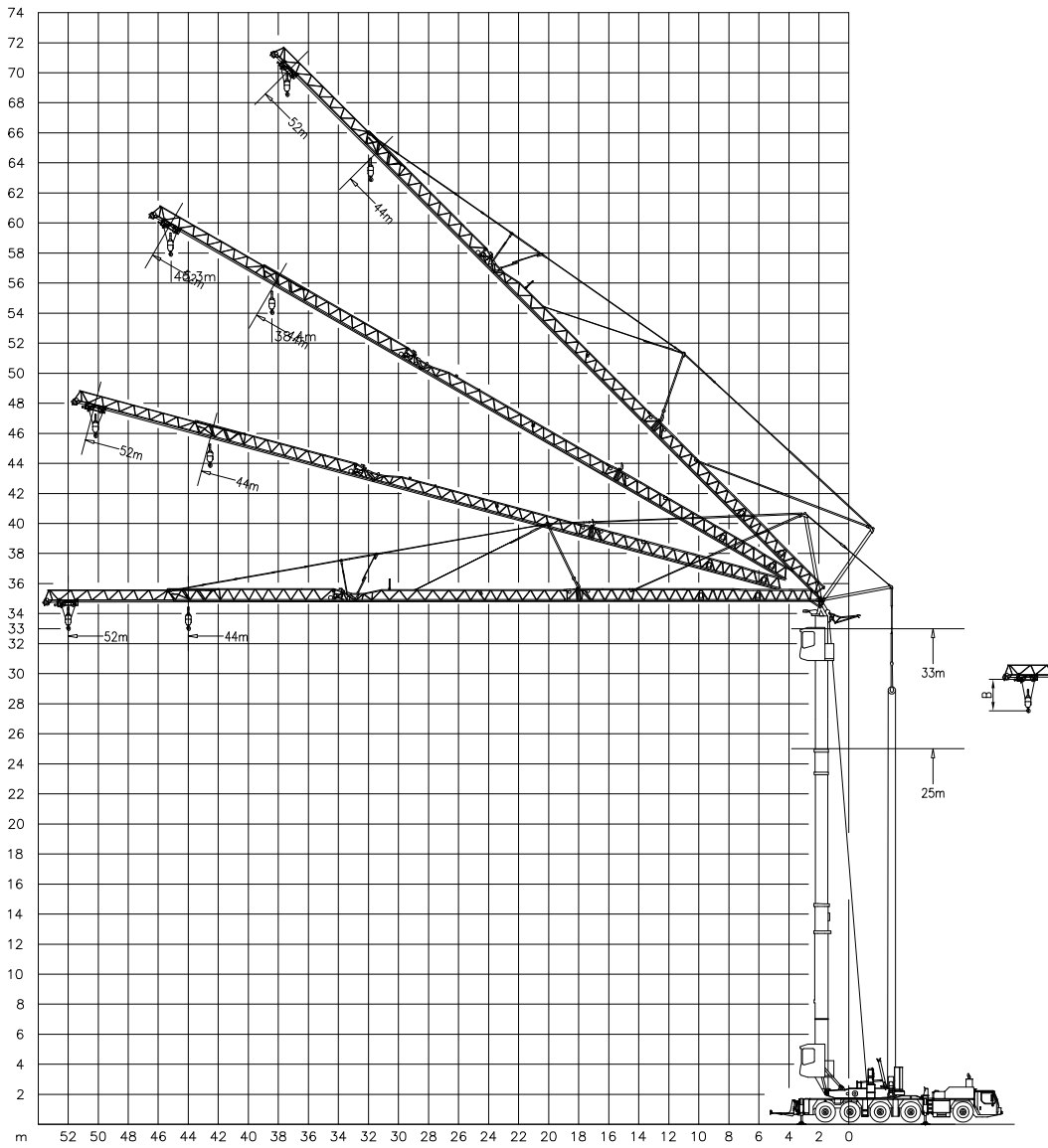
# LIEBHERR MK 100

Working ranges  
Portées

## 52 METER

Arbeitsbereiche  
Werkbereich

1 / 500





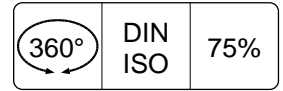
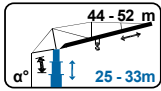
# LIEBHERR MK 100

## 52 METER

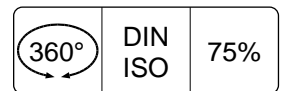
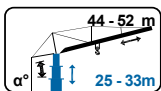
Lifting capacities at main boom  
Capacités à la flèche principale

Tragfähigkeiten am Hauptausleger  
Capaciteiten aan de hoofdgiel

(hook block included, excl. lifting mat.)



	44m / 52m				44m / 52m				
	44.0m				52.0m				
	0°	15°	30°	45°	0°	15°	30°	45°	
	t	t	t	t	t	t	t	t	
2	-	(3.4m)	-	(3.4m)	-	(3.4m)	-	(3.4m)	2
3	8.00	1.7	6.00	1.7	8.00	1.6	6.00	1.6	3
4	8.00	1.7	6.00	1.7	8.00	1.6	6.00	1.6	4
6	8.00	1.7	6.00	1.7	8.00	1.6	6.00	1.6	6
8	8.00	1.7	6.00	1.7	8.00	1.6	6.00	1.6	8
10	8.00	1.7	6.00	1.7	8.00	1.6	6.00	1.6	10
12	8.00	1.7	6.00	1.7	8.00	1.6	6.00	1.6	12
14	8.00	1.7	6.00	1.7	7.80	1.6	6.00	1.6	14
16	6.95	1.7	5.54	1.7	6.68	1.6	5.23	1.6	16
18	6.05	1.7	4.90	1.7	5.83	1.6	4.62	1.6	18
20	5.34	1.7	4.38	1.7	5.15	1.6	4.13	1.6	20
22	4.77	1.7	3.95	1.7	4.61	1.6	3.73	1.6	22
24	4.30	1.7	3.60	1.7	4.16	1.6	3.39	1.6	24
26	3.91	1.7	3.29	1.7	3.79	1.6	3.10	1.6	26
28	3.58	1.7	3.03	1.7	3.47	1.6	2.85	1.6	28
30	3.29	1.7	2.80	1.7	3.19	1.6	2.63	1.6	30
32	3.04	1.7	2.60	1.7	2.95	1.6	2.44	1.6	32
34	2.83	1.7	2.42	(31.5m)	2.74	1.6	2.27	1.6	34
36	2.63	1.7	2.26	-	2.56	1.6	2.12	1.6	36
38	2.46	1.7	2.12	-	2.39	1.6	1.99	1.6	38
40	2.31	1.7	2.10	-	2.24	1.6	1.87	(37.2m)	40
42	2.17	1.7	(38.4)	-	2.11	1.6	1.76	-	42
44	2.05	(42.5m)	-	-	1.99	1.6	1.66	-	44
46	-	-	-	-	1.88	1.6	1.60	-	46
48	-	-	-	-	1.77	1.6	(45.3)	-	48
50	-	-	-	-	1.68	1.6	-	-	50
52	-	-	-	-	1.60	(50.2m)	-	-	52



	44m / 52m				44m / 52m				
	44.0m				52.0m				
	0°	15°	30°	45°	0°	15°	30°	45°	
	t	t	t	t	t	t	t	t	
2	-	(3.4m)	-	(3.4m)	-	(3.4m)	-	(3.4m)	2
3	8.00	0.60	6.00	0.60	8.00	0.40	6.00	0.40	3
4	8.00	0.60	6.00	0.60	8.00	0.40	6.00	0.40	4
6	8.00	0.60	6.00	0.60	7.58	0.40	6.00	0.40	6
8	6.01	0.60	5.72	0.60	5.48	0.40	5.24	0.40	8
10	4.60	0.60	4.37	0.60	4.25	0.40	3.95	0.40	10
12	3.70	0.60	3.50	0.60	3.44	0.40	3.13	0.40	12
14	3.06	0.60	2.90	0.60	2.86	0.40	2.56	0.40	14
16	2.60	0.60	2.45	0.60	2.44	0.40	2.15	0.40	16
18	2.24	0.60	2.11	0.60	2.11	0.40	1.84	0.40	18
20	1.95	0.60	1.84	0.60	1.84	0.40	1.59	0.40	20
22	1.72	0.60	1.62	0.60	1.63	0.40	1.39	0.40	22
24	1.53	0.60	1.43	0.60	1.45	0.40	1.23	0.40	24
26	1.37	0.60	1.28	0.60	1.30	0.40	1.09	0.40	26
28	1.24	0.60	1.15	0.60	1.17	0.40	0.97	0.40	28
30	1.12	0.60	1.04	0.60	1.05	0.40	0.87	0.40	30
32	1.01	0.60	0.94	0.60	0.96	0.40	0.78	0.40	32
34	0.92	0.60	0.85	(31.5m)	0.87	0.40	0.70	0.40	34
36	0.84	0.60	0.78	-	0.79	0.40	0.63	0.40	36
38	0.77	0.60	0.71	-	0.73	0.40	0.57	0.40	38
40	0.71	0.60	0.70	-	0.66	0.40	0.52	(37.2m)	40
42	0.65	0.60	(38.4)	-	0.61	0.40	0.47	-	42
44	0.60	(42.5m)	-	-	0.56	0.40	0.42	-	44
46	-	-	-	-	0.51	0.40	0.40	-	46
48	-	-	-	-	0.47	0.40	(45.3)	-	48
50	-	-	-	-	0.43	0.40	-	-	50
52	-	-	-	-	0.40	(50.2m)	-	-	52

Values in brackets ( ) below or above load capacity, indicate exact radius. / Les valeurs entre parenthèses ( ) notées au-dessus ou en-dessous des capacités, indiquent les portées exactes (pour les dernières). / Die Werten in Klammern unten oder oben den Tragfähigkeiten bedeuten die genaue Ausladung. / Waarden tussen haakjes ( ) onder of boven capaciteiten geven de exacte radius aan.

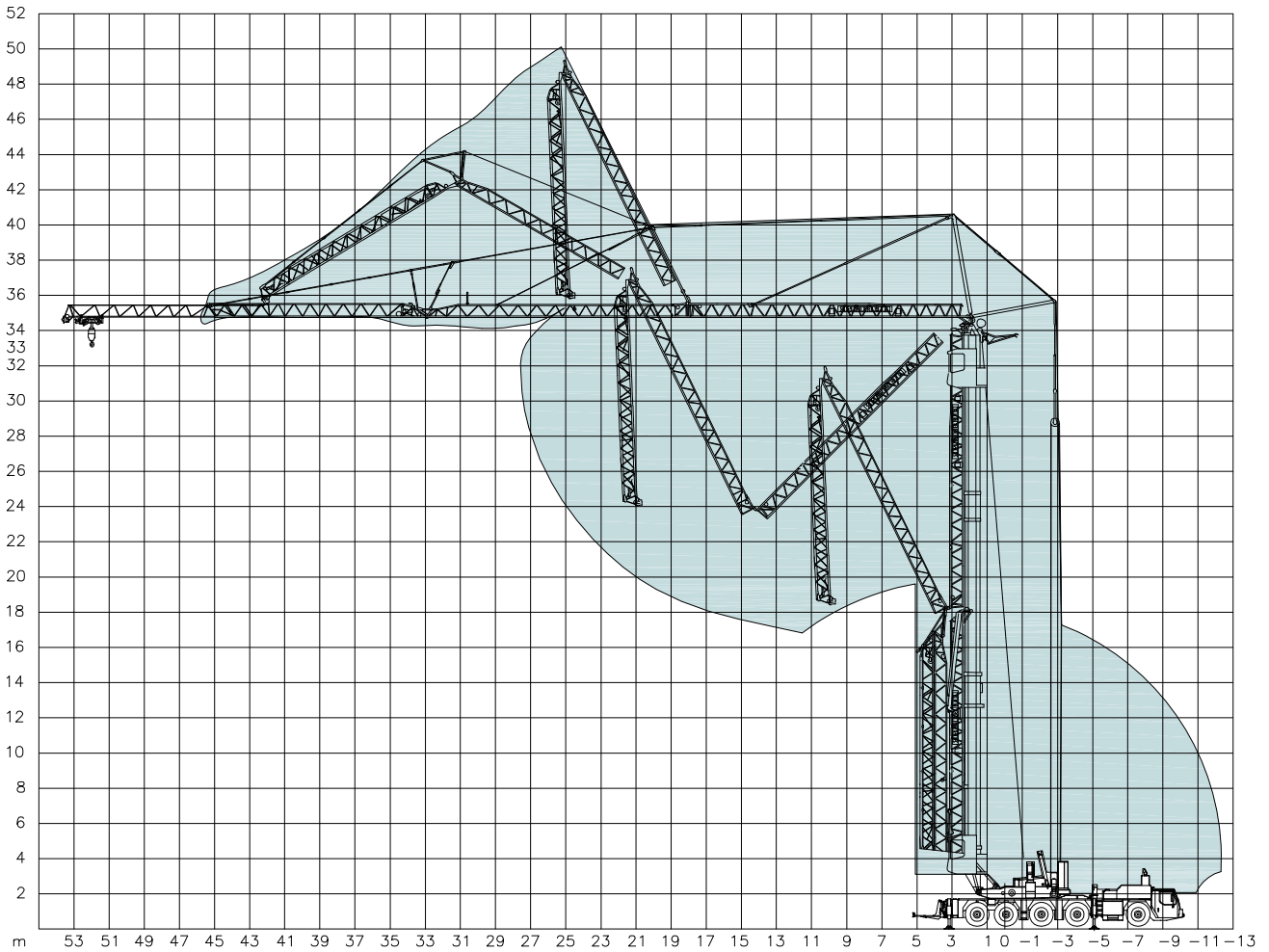


# LIEBHERR MK 100

Erection procedure  
Déroutement de montage

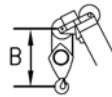
## 52 METER

Aufstellvorgang  
Opstellingsprocedure



Hook block/Crane hook

40kVA Ø 28mm



Unterflasche/Hakengehänge

Crochet-mouflé/Crochet simple

Kraanblok/Kraanhaak

Capacity / Capacité Tragfähigkeit / Capaciteit	Number of sheaves / Nombre de poulies Anzahl der Rollen / Aantal schijven	Number of lines / Nombre de brins Strangzahl / Aantal parten	Weight / Poids Gewicht / Gewicht	"B"
8 t	-	-	500 kg	1.6 m

V.2011-10-20