



sarens.tele

HOOFDZETEL/SIEGE

Autoweg 10
B-1861 Wolvertem, BELGIUM
Tel.: +32 (0)52.319.319
Fax.: +32 (0)52.319.329
e-mail: info@sarens.com
Internet: www.sarens.com

LAROY

Jacobsveldweg 8
B-2160 Wommelgem, BELGIUM
Tel.: +32 (0)3.3 551.551
Fax.: +32 (0)3.3 551.561
e-mail: info@laroy.be

GENT

Postbus 1
B-9060 Zelzate, BELGIUM
Tel.: +32 (0)9.342.66.66
Fax.: +32 (0)9.342.66.61

ANTWERPEN

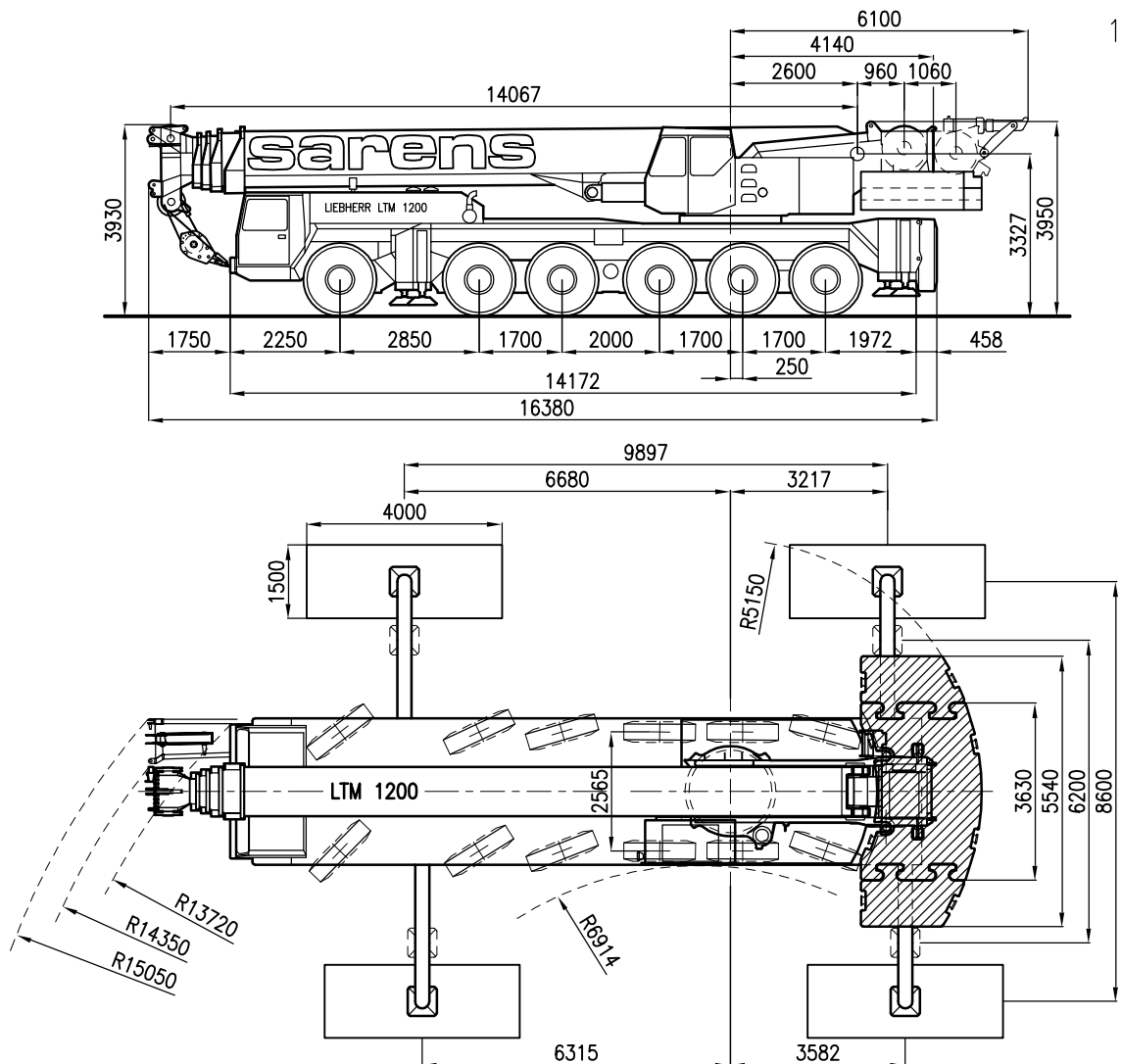
Scheldelaan 600, Haven 725
Locatie C110
B-2040 Antwerpen, BELGIUM
Tel.: +32 (0)3.5 613.440
Fax.: +32 (0)3.5 613.434

SARENS TRAMAUBEN

Grand'Route 51
B-7640 Maubray, BELGIUM
Tel.: +32 (0)69.446.700
Fax.: +32 (0)69.446.710
e-mail: info@tramauben.be

LIEBHERR LTM 1200

200/220 TON



1/150

Axle load / Charge par essieu / Achslast / Aslast	: 6 x 12 t	(= 0 t)
Total weight / Poids total / Gesamtgewicht / Totaal gewicht	: 72 t	(= 0 t)
Tyres / Pneus / Bereifung / Banden	: 14.00 R 25	
Counterweight-trailer / Remorque de contrepoids / Gegengewicht Anhänger / Ballastwagen	: 39 t	



LIEBHERR LTM 1200

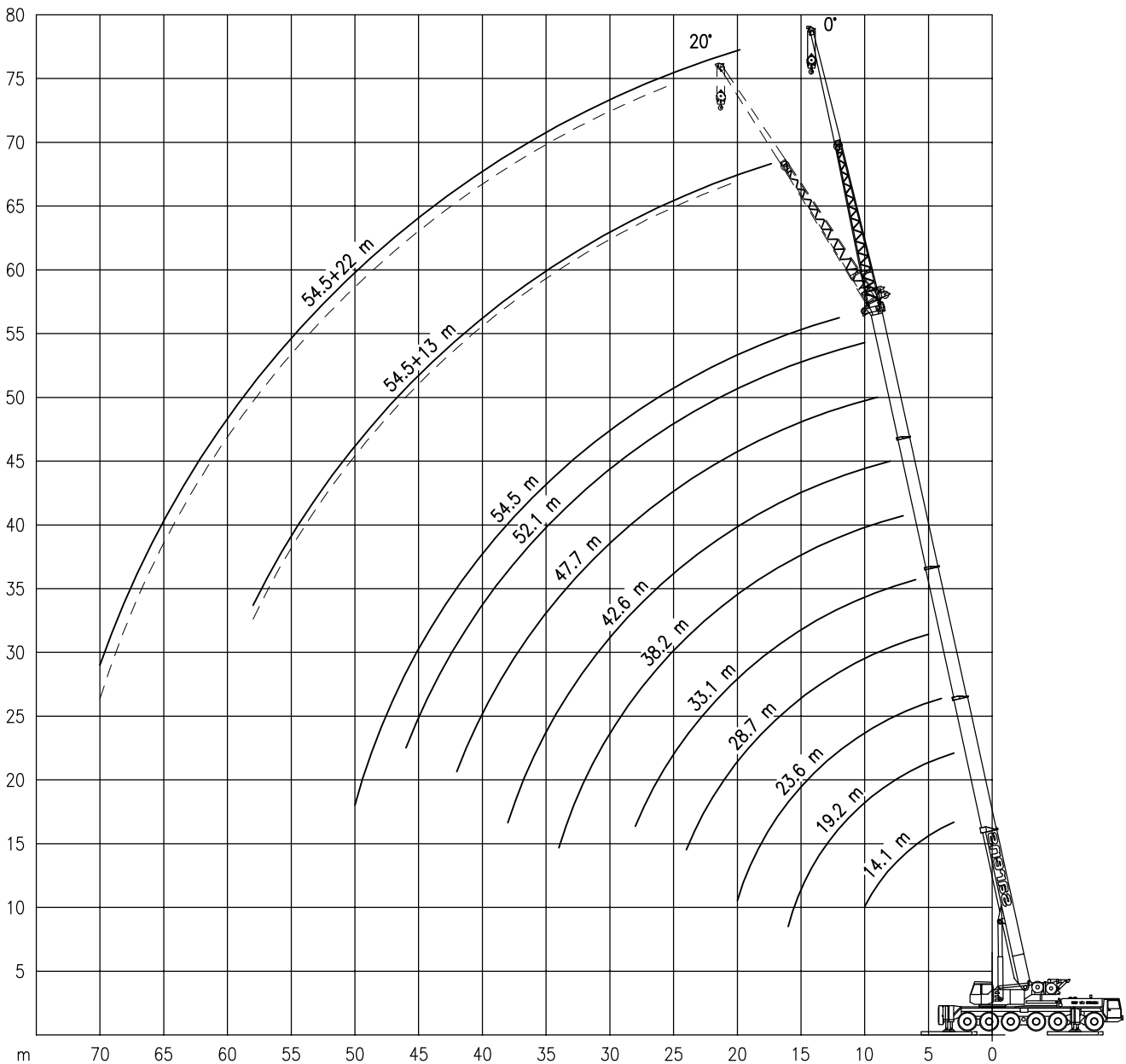
200/220 TON

Working ranges
Portées

Arbeitsbereiche
Werkbereich

T
TK

1/500





LIEBHERR LTM 1200

200/220 TON

Lifting capacities at main boom
Capacités à la flèche principale

Tragfähigkeiten am Hauptausleger
Capaciteiten aan de hoofdgiëk

9.9 x 8.6 m 59 t **T** 360° **DIN 75 %**

Radius Portée Ausladung Radius	Main Boom – Flèche principale – Hauptausleger – Hoofdgiëk											
	14.1 m*	14.1 m	19.2 m*	19.2 m	23.6 m	28.7 m	33.1 m	38.2 m	42.6 m	47.7 m	52.1 m	54.5 m
m	t	t	t	t	t	t	t	t	t	t	t	t
3	200**#	157#	151#	151#	–	–	–	–	–	–	–	–
3.5	175**#	143	141	140	–	–	–	–	–	–	–	–
4	157#	131	133	129	113	–	–	–	–	–	–	–
5	130	112	118	110	102	87	–	–	–	–	–	–
6	108	97	107	95	92	79	67	–	–	–	–	–
7	92	85	92	84	83	73	63	53	–	–	–	–
8	80	76	79	74	73	67	58	50	42	–	–	–
9	70	68	70	66	66	62	54	47.5	40.5	33	–	–
10	63	61	62	60	59	57	50	44.5	38.5	32	25.4	–
12	–	–	50	49.5	49	49	44.5	40	35	29.7	24.2	22.6
14	–	–	39	39	39	40	39	35.5	31.5	27.6	23	21.6
16	–	–	31.5	31.5	31.5	32	32.5	31.5	28.5	25.5	21.7	20.4
18	–	–	–	–	25.8	26.6	26.9	27.6	25.8	23.3	20.4	19.3
20	–	–	–	–	21.6	22.4	22.7	23.4	23.3	21.4	19.1	18.1
22	–	–	–	–	–	19.1	19.4	20	20.5	19.6	17.9	17
24	–	–	–	–	–	16.5	16.7	17.4	17.8	18	16.7	15.8
26	–	–	–	–	–	–	14.5	15.2	15.6	16.3	15.5	14.7
28	–	–	–	–	–	–	12.7	13.3	13.8	14.4	14.4	13.7
30	–	–	–	–	–	–	–	11.8	12.2	12.8	13.3	12.7
34	–	–	–	–	–	–	–	–	9.3	9.7	10.3	10.8
38	–	–	–	–	–	–	–	–	–	7.8	8.4	8.8
42	–	–	–	–	–	–	–	–	–	–	6.8	7.3
46	–	–	–	–	–	–	–	–	–	–	–	6
50	–	–	–	–	–	–	–	–	–	–	–	5

Lifting capacities at folding jib
Capacités à la fléchette pliante

Tragfähigkeiten an der Klappspitze
Capaciteiten aan de klapjib

9.9 x 8.6 m 59 t **TK** 360° **DIN 75 %**

Radius Portée Ausladung Radius	Main boom – Flèche principale – Hauptausleger – Hoofdgiëk											
	47.7 m				52.1 m				54.5 m			
	Folding jib – Fléchette pliante – Klappspitze – Klapjib											
	13 m		22 m		13 m		22 m		13 m		22 m	
	0°	20°	0°	20°	0°	20°	0°	20°	0°	20°	0°	20°
m	t	t	t	t	t	t	t	t	t	t	t	t
12	14.2	–	–	–	–	–	–	–	–	–	–	–
14	14	–	–	–	11.3	–	–	–	10.3	–	–	–
16	13.7	10.2	6.7	–	11.2	–	–	–	10.2	–	–	–
18	13.3	9.7	6.5	–	11	8	6.2	–	10.1	–	5.9	–
20	13	9.3	6.4	5	10.7	7.7	6.1	–	10	7	5.7	–
22	12.5	8.8	6.2	4.9	10.4	7.3	6	4.6	9.8	6.7	5.6	–
24	12.1	8.4	6	4.8	10.1	6.9	5.8	4.5	9.5	6.4	5.5	4.3
26	11.6	8	5.8	4.7	9.7	6.6	5.7	4.4	9.2	6.1	5.3	4.2
28	11	7.6	5.6	4.6	9.3	6.3	5.5	4.3	8.8	5.9	5.2	4.1
30	10.4	7.2	5.4	4.5	8.9	6.1	5.2	4.2	8.4	5.6	5.1	4
34	9.3	6.5	5.1	4.3	8	5.6	4.9	4	7.5	5.2	4.8	3.8
38	8.3	6	4.9	4.1	7.1	5.2	4.6	3.8	6.8	4.8	4.5	3.6
42	7.3	5.5	4.6	4	6.4	4.9	4.4	3.6	6.1	4.4	4.3	3.4
46	6.1	5	4.4	3.8	5.8	4.5	4.2	3.4	5.5	4.1	4.1	3.2
50	5.1	4.6	4.2	3.7	5.2	4.2	3.9	3.3	5	3.8	3.8	3
54	4.2	4.1	4	3.5	4.3	3.9	3.7	3.2	4.1	3.5	3.5	2.9
58	–	–	3.8	3.4	3.4	3.5	3.5	3	3.3	3.2	3.3	2.7
62	–	–	3.1	3.3	–	–	3.1	2.9	–	–	3	2.6
66	–	–	–	–	–	–	2.6	2.8	–	–	2.4	2.4
70	–	–	–	–	–	–	–	–	–	–	2	2.1

* : Over rear / En arrière / Nach hinten / Over achterzijde
 ** : Outrigger base : 9.9 x 6.2 m / Empattement : 9.9 x 6.2 m / Abstützung : 9.9 x 6.2 m / Afstempeling 9.9 x 6.2 m
 # : Only with heavy duty attachment / Seulement avec dispositif pour charges lourdes
 : Nur mit Schwerlasteinrichtung / Enkel met zware lastuitrusting



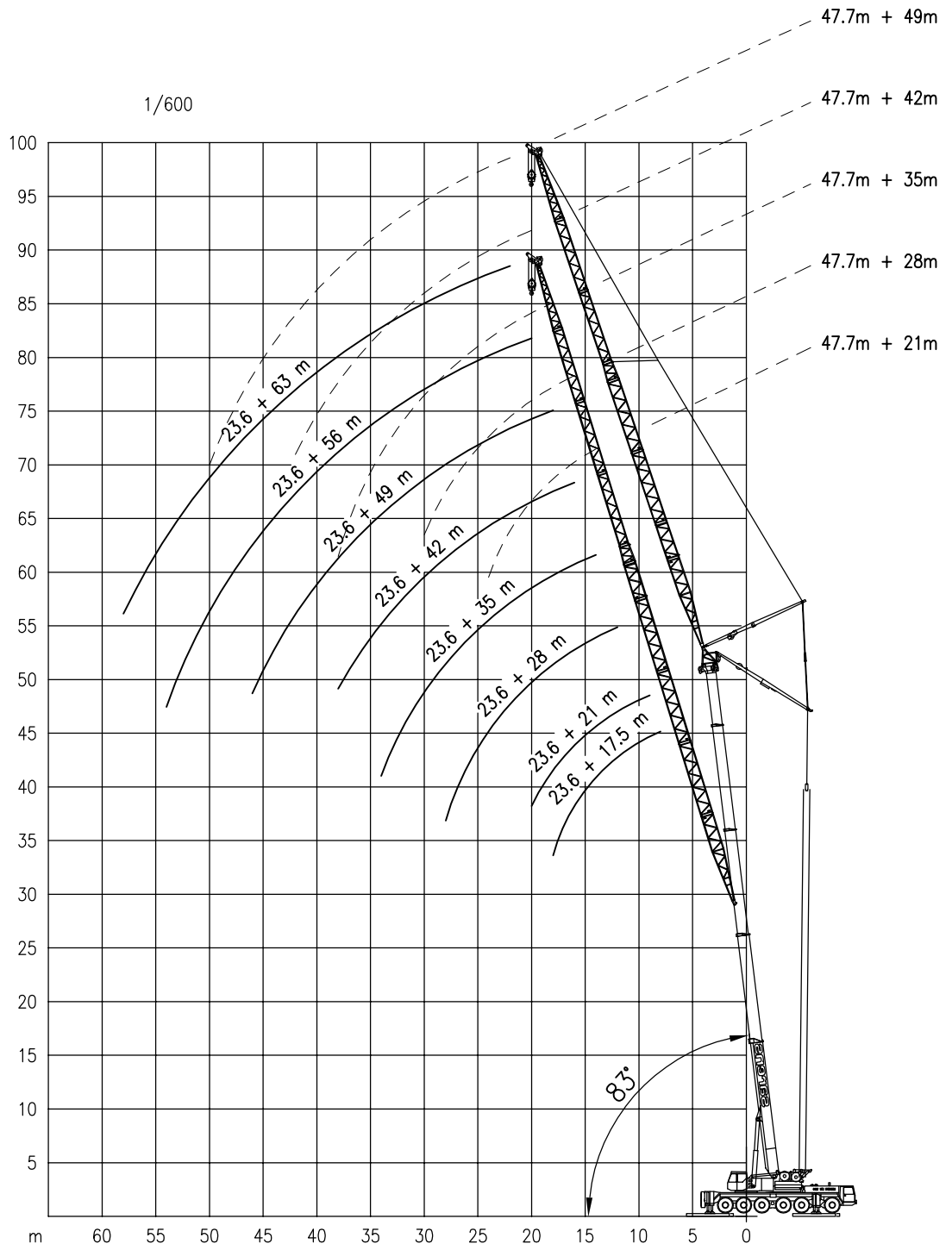
LIEBHERR LTM 1200

200/220 TON

Working ranges of luffing fly jib
Portées de la volée variable

Arbeitsbereiche mit wippbarer Hilfsausleger
Werkbereich van de beweegbare hulpgiëk

TN \triangle 83°





LIEBHERR LTM 1200

200/220 TON

Lifting capacities at luffing fly jib
Capacités à la volée variable

Trägfähigkeiten am wipbarer Hilfsausleger
Capaciteiten aan de beweegbare hulpgiëk

9.9 x 8.6 m 39 t

TN Δ 83°

360°

DIN 75 %

Main Boom Flèche princ. Hauptausleger Hoofdgiek	Radius Portée Auslad. Radius	Luffing fly jib – Volée variable Wipbarer Hilfsausleger – Beweegbare hulpgiëk								Main Boom Flèche princ. Hauptausleger Hoofdgiek	Radius Portée Auslad. Radius	Luffing fly jib – Volée variable Wipbarer Hilfsausleger – Beweegbare hulpgiëk					
		17.5m	21m	28m	35m	42m	49m	56m	63m			21m	28m	35m	42m	49m	56m
23.6 m	m	t	t	t	t	t	t	t	t	m	t	t	t	t	t	t	
	8	43	–	–	–	–	–	–	–	12	14	–	–	–	–	–	
	9	42.7	38	–	–	–	–	–	–	14	13.9	–	–	–	–	–	
	10	42.5	37.8	–	–	–	–	–	–	16	13.8	10.7	–	–	–	–	
	12	42	37.2	29.8	–	–	–	–	–	18	13.7	10.6	7.5	–	–	–	
	14	41.2	36.6	29.3	21.7	–	–	–	–	20	13.6	10.5	7.4	5.7	–	–	
	16	33	34.5	28.8	21.3	17	–	–	–	22	13.6	10.4	7.3	5.6	4	–	
	18	23.5	29.5	28.4	20.8	16.6	12.5	–	–	24	13.5	10.3	7.2	5.5	3.9	2.5	
	20	–	23.5	25.7	20.4	16.3	12.2	9.5	–	26	–	10.2	7.1	5.4	3.8	2.5	
	22	–	–	22.7	19.9	15.9	11.9	9.3	5	28	–	10.1	6.9	5.3	3.8	2.4	
	24	–	–	20	19.5	15.5	11.7	9.2	4.9	30	–	10	6.8	5.2	3.7	2.4	
	26	–	–	16.5	18.1	15.1	11.4	9	4.7	34	–	–	6.6	5	3.6	2.3	
	28	–	–	13.2	16.6	14.8	11.1	8.8	4.6	38	–	–	–	4.8	3.5	2.3	
	30	–	–	–	15	14.4	10.8	8.6	4.4	42	–	–	–	4.7	3.3	2.2	
	34	–	–	–	11	12.7	10.3	8.2	4.1	46	–	–	–	–	3.2	2.1	
	38	–	–	–	–	10.2	9.7	7.8	3.8	50	–	–	–	–	3	2	
	42	–	–	–	–	–	9.2	7.4	3.5	54	–	–	–	–	–	1.9	
	46	–	–	–	–	–	7	7	3.2	56	–	–	–	–	–	1.9	
	50	–	–	–	–	–	–	6.6	2.9	14	9	–	–	–	–	–	
	54	–	–	–	–	–	–	5	2.6	16	8.9	6.9	–	–	–	–	
58	–	–	–	–	–	–	–	2.3	18	8.8	6.8	4.5	–	–	–		
33.1 m	11	–	24.5	–	–	–	–	–	20	8.7	6.6	4.4	3.3	–	–		
	12	–	24.4	–	–	–	–	–	22	8.6	6.5	4.3	3.2	2	–		
	14	–	24.2	19.1	–	–	–	–	24	8.5	6.4	4.2	3.1	2	–		
	16	–	23.9	18.9	13.8	–	–	–	26	–	6.3	4.1	3	1.9	–		
	18	–	23.7	18.7	13.6	10.8	–	–	28	–	6.1	4	3	1.9	–		
	20	–	23.5	18.5	13.5	10.7	7.9	–	30	–	6	3.9	2.9	1.8	–		
	22	–	21	18.3	13.3	10.6	7.9	5.4	–	–	–	3.7	2.8	1.7	–		
	24	–	–	18.1	13.2	10.5	7.8	5.3	2.5	38	–	–	3.5	2.6	1.6	–	
	26	–	–	17.9	13.1	10.4	7.7	5.2	2.5	42	–	–	–	2.5	1.5	–	
	28	–	–	15.5	12.9	10.3	7.6	5.1	2.4	46	–	–	–	–	1.5	–	
	30	–	–	–	12.7	10.2	7.5	5.1	2.4	50	–	–	–	–	–	1.4	
	34	–	–	–	12.5	9.9	7.3	4.9	2.3	54	–	–	–	–	–	–	
	38	–	–	–	–	9.7	7.2	4.8	2.2	56	–	–	–	–	–	–	
	42	–	–	–	–	8	7	4.7	2.2	–	–	–	–	–	–	–	
46	–	–	–	–	6.8	4.5	2.1	–	–	–	–	–	–	–	–		
50	–	–	–	–	–	–	4.4	2	–	–	–	–	–	–	–		
54	–	–	–	–	–	–	3.4	1.9	–	–	–	–	–	–	–		
58	–	–	–	–	–	–	–	1.6	–	–	–	–	–	–	–		
60	–	–	–	–	–	–	–	1.5	–	–	–	–	–	–	–		
38.2 m	12	–	18.5	–	–	–	–	–	–	–	–	–	–	–	–	–	
	14	–	18.3	14.3	–	–	–	–	–	–	–	–	–	–	–	–	
	16	–	18.2	14.2	–	–	–	–	–	–	–	–	–	–	–	–	
	18	–	18.1	14.1	10	–	–	–	–	–	–	–	–	–	–	–	
	20	–	17.9	13.9	9.9	7.8	–	–	–	–	–	–	–	–	–	–	
	22	–	17.7	13.8	9.8	7.7	5.7	–	–	–	–	–	–	–	–	–	
	24	–	–	13.7	9.7	7.6	5.6	3.8	–	–	–	–	–	–	–	–	
	26	–	–	13.6	9.6	7.5	5.5	3.7	–	–	–	–	–	–	–	–	
	28	–	–	13.5	9.5	7.4	5.4	3.6	–	–	–	–	–	–	–	–	
	30	–	–	–	9.4	7.3	5.4	3.6	–	–	–	–	–	–	–	–	
	34	–	–	–	9.2	7.1	5.2	3.5	–	–	–	–	–	–	–	–	
	38	–	–	–	–	7	5.1	3.4	–	–	–	–	–	–	–	–	
	42	–	–	–	–	6.8	4.9	3.3	–	–	–	–	–	–	–	–	
	46	–	–	–	–	–	4.7	3.2	–	–	–	–	–	–	–	–	
50	–	–	–	–	–	4.6	3.1	–	–	–	–	–	–	–	–		
54	–	–	–	–	–	–	3	–	–	–	–	–	–	–	–		
56	–	–	–	–	–	–	2.9	–	–	–	–	–	–	–	–		

With secondary hoist or replacement counterweight and 2m adapter / Avec treuil secondaire ou contrepoids de remplacement et 2m adaptateur
Mit Hubwerk 2 oder Ersatzgegengewicht und 2m Anschlußstück / Met 2e hijslier of vervangend tegengewicht en 2m adapter



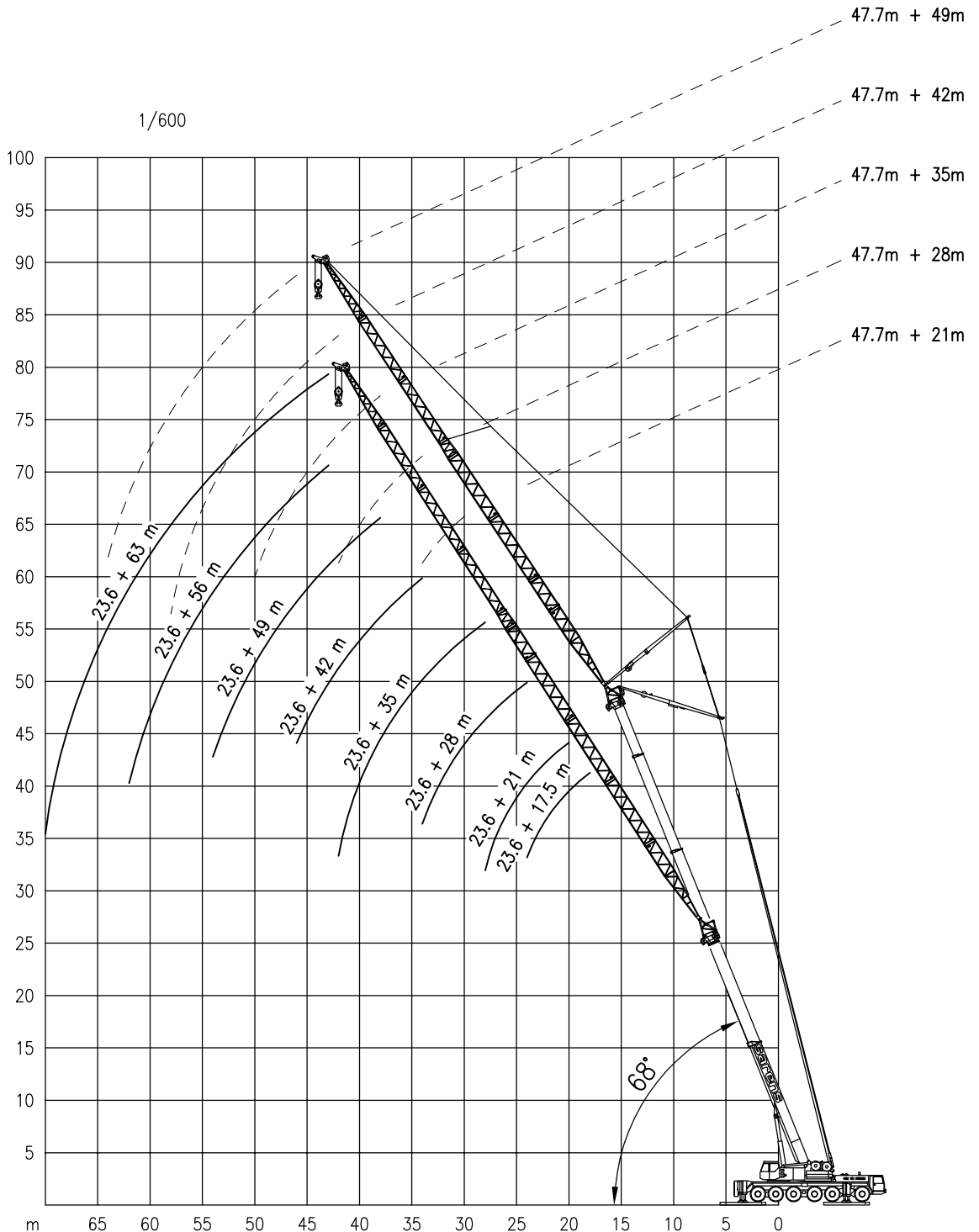
LIEBHERR LTM 1200

200/220 TON

Working ranges of luffing fly jib
Portées de la volée variable

Arbeitsbereiche mit wippbarer Hilfsausleger
Werkbereich van de beweegbare hulpgiëk

TN \triangle 68°





LIEBHERR LTM 1200

200/220 TON

Lifting capacities at luffing fly jib
Capacités à la volée variable

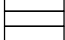
Tragfähigkeiten am wippbarer Hilfsausleger
Capaciteiten aan de beweegbare hulpgiëk

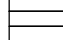
 9.9 x 8.6 m

TN \triangle 68°

360°

DIN 75 %

 59 t

 39 t

Main Boom Flèche princ. Hauptausleger Hoofdpijk	Radius Portée Auslad. Radius	Luffing fly jib – Volée variable Wippbarer Hilfsausleger – Beweegbare hulpgiëk								Main Boom Flèche princ. Hauptausleger Hoofdpijk	Radius Portée Auslad. Radius	Luffing fly jib – Volée variable Wippbarer Hilfsausleger – Beweegbare hulpgiëk										
		17.5m	21m	28m	35m	42m	49m	56m	63m			17.5m	21m	28m	35m	42m	49m	56m	63m			
		t	t	t	t	t	t	t	t			t	t	t	t	t	t	t	t			
23.6 m	18	30.9	-	-	-	-	-	-	-	23.6 m	18	24.5	-	-	-	-	-	-				
	20	27	26.9	-	-	-	-	-	-		20	21.4	21.3	-	-	-	-	-				
	22	24	23.9	-	-	-	-	-	-		22	19	18.9	-	-	-	-	-				
	24	21.5	21.5	21.2	-	-	-	-	-		24	17	16.9	16.6	-	-	-	-				
	26	-	19.4	19.2	-	-	-	-	-		26	-	15.3	15	-	-	-	-				
	28	-	17.7	17.5	17.2	-	-	-	-		28	-	13.9	13.7	13.4	-	-	-				
	30	-	-	16.1	15.8	-	-	-	-		30	-	-	12.6	12.2	-	-	-				
	34	-	-	13.7	13.5	13.3	-	-	-		34	-	-	10.7	10.4	10.3	-	-				
	38	-	-	-	11.7	11.6	10	-	-		38	-	-	-	9	8.8	8.3	-				
	42	-	-	-	-	9.8	10.2	9.5	7.6		4.5	42	-	-	-	-	7.9	7.7	7.2	6.8	4.5	
	46	-	-	-	-	-	9	8.8	7.3		4.3	46	-	-	-	-	-	6.8	6.3	5.9	4.3	
	50	-	-	-	-	-	-	7.8	7		4.1	50	-	-	-	-	-	-	5.5	5.2	4.1	
	54	-	-	-	-	-	-	-	7		6.7	3.9	54	-	-	-	-	-	-	4.9	4.6	3.9
	58	-	-	-	-	-	-	-	-		6	3.8	58	-	-	-	-	-	-	-	4	3.5
	62	-	-	-	-	-	-	-	-		5.4	3.6	62	-	-	-	-	-	-	-	3.6	3.1
66	-	-	-	-	-	-	-	-	-	3.4	66	-	-	-	-	-	-	-	-	2.8		
70	-	-	-	-	-	-	-	-	-	3.3	70	-	-	-	-	-	-	-	-	2.5		
33.1 m	24	-	17	-	-	-	-	-	-	33.1 m	24	-	15.1	-	-	-	-	-				
	26	-	16.2	-	-	-	-	-	-		26	-	13.7	-	-	-	-	-				
	28	-	15.5	14	-	-	-	-	-		28	-	12.5	12.1	-	-	-	-				
	30	-	14.7	13.4	-	-	-	-	-		30	-	11.4	11.1	-	-	-	-				
	34	-	-	12.2	11	9.2	-	-	-		34	-	-	9.4	8.8	8.2	-	-				
	38	-	-	10.9	10	8.5	7.2	-	-		38	-	-	8.1	7.5	7	6.6	-				
	42	-	-	-	8.9	7.9	6.8	4.4	-		42	-	-	-	6.5	6	5.6	4.4				
	46	-	-	-	7.9	7.2	6.3	4.1	2		46	-	-	-	5.8	5.2	4.8	4.1	2			
	50	-	-	-	-	6.6	5.9	3.8	1.8		50	-	-	-	-	4.6	4.2	3.6	1.8			
	54	-	-	-	-	-	5.5	3.5	1.6		54	-	-	-	-	-	3.6	3.2	1.6			
	58	-	-	-	-	-	5.1	3.3	1.5		58	-	-	-	-	-	3.3	2.8	1.5			
	62	-	-	-	-	-	-	3	1.3		62	-	-	-	-	-	-	2.5	1.3			
	66	-	-	-	-	-	-	-	2.7		1.2	66	-	-	-	-	-	-	-	2.2	1.2	
	70	-	-	-	-	-	-	-	-		1.1	70	-	-	-	-	-	-	-	-	1.1	
	74	-	-	-	-	-	-	-	-		1	74	-	-	-	-	-	-	-	-	1	
38.2 m	26	-	13.7	-	-	-	-	-	-	38.2 m	26	-	12.9	-	-	-	-	-				
	28	-	12.7	-	-	-	-	-	-		28	-	11.8	-	-	-	-	-				
	30	-	11.8	10.6	-	-	-	-	-		30	-	10.8	10.1	-	-	-	-				
	34	-	10.2	9.8	8.6	-	-	-	-		34	-	9.2	8.5	8	-	-	-				
	38	-	-	8.8	7.8	6.5	-	-	-		38	-	-	7.3	6.9	6.3	-	-				
	42	-	-	-	6.9	6	5	-	-		42	-	-	-	5.9	5.4	4.8	-				
	46	-	-	-	6.1	5.4	4.6	2.9	-		46	-	-	-	5.2	4.7	4.1	2.9				
	50	-	-	-	-	4.9	4.2	2.7	-		50	-	-	-	-	4.1	3.5	2.7				
	54	-	-	-	-	4.4	3.9	2.5	-		54	-	-	-	-	3.6	3.1	2.5				
	58	-	-	-	-	-	3.6	2.3	-		58	-	-	-	-	-	2.8	2.3				
	62	-	-	-	-	-	3.2	2.1	-		62	-	-	-	-	-	2.5	2				
	66	-	-	-	-	-	-	1.9	-		66	-	-	-	-	-	-	1.8				
	68	-	-	-	-	-	-	-	1.8		68	-	-	-	-	-	-	-	1.7			
	72	-	-	-	-	-	-	-	-		72	-	-	-	-	-	-	-	-			
	76	-	-	-	-	-	-	-	-		76	-	-	-	-	-	-	-	-			
42.6 m	30	-	9	-	-	-	-	-	42.6 m	30	-	9	-	-	-	-						
	34	-	7.1	7.4	6.2	-	-	-		34	-	7.1	7.4	6.2	-	-	-					
	38	-	-	6.6	5.6	4.6	-	-		38	-	-	6.6	5.6	4.6	-	-					
	42	-	-	6	5	4.1	3.3	-		42	-	-	5.8	5	4.1	3.3	-					
	46	-	-	-	4.4	3.7	3	2		46	-	-	-	4.4	3.7	3	2					
	50	-	-	-	-	3.2	2.7	1.8		50	-	-	-	-	3.2	2.7	1.8					
	54	-	-	-	-	-	2.8	2.4		1.6	54	-	-	-	-	-	2.8	2.4	1.6			
	58	-	-	-	-	-	-	2.1		1.4	58	-	-	-	-	-	-	2.1	1.4			
	62	-	-	-	-	-	-	1.9		1.2	62	-	-	-	-	-	-	1.9	1.2			
	66	-	-	-	-	-	-	-		1.1	66	-	-	-	-	-	-	-	1.1			
	68	-	-	-	-	-	-	-		1	68	-	-	-	-	-	-	-	1			
	70	-	-	-	-	-	-	-		-	70	-	-	-	-	-	-	-	-			
	74	-	-	-	-	-	-	-		-	74	-	-	-	-	-	-	-	-			
	78	-	-	-	-	-	-	-		-	78	-	-	-	-	-	-	-	-			
	47.7 m	30	-	7	-	-	-	-		-	47.7 m	30	-	7	-	-	-	-				
34		-	6.1	5.2	-	-	-	-	34	-		6.1	5.2	-	-	-	-					
38		-	-	4.7	4.1	-	-	-	38	-		-	4.7	4.1	-	-	-					
42		-	-	4.3	3.7	2.8	-	-	42	-		-	4.3	3.7	2.8	-	-					
46		-	-	-	3.3	2.5	1.8	-	46	-		-	-	3.3	2.5	1.8	-					
50		-	-	-	2.9	2.3	1.7	-	50	-		-	-	2.9	2.3	1.7	-					
54		-	-	-	-	2	1.6	-	54	-		-	-	-	2	1.6	-					
58		-	-	-	-	1.8	1.5	-	58	-		-	-	-	1.8	1.5	-					
62		-	-	-	-	-	1.3	-	62	-		-	-	-	-	1.3	-					
64		-	-	-	-	-	1.2	-	64	-		-	-	-	-	1.2	-					

With secondary hoist or replacement counterweight and adapter 2m/ Avec treuil secondaire ou contreponds de remplacement et adaptateur 2m
Mit Hubwerk 2 oder Ersatzgegengewicht und Anschlußstück 2m/ Met 2e hysliër of vervangend tegengewicht en adapter 2m



LIEBHERR LTM 1200

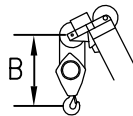
200/220 TON

Working speeds
Vitesses de travail

Arbeitsgeschwindigkeiten
Werksnelheden

Mechanisms Mécanismes Antriebe Aandrijvingen	Speeds Vitesses Geschwindigkeiten Snelheden	Rope diameter Diamètre du câble Seildurchmesser Kabeldiameter	Single line pull Effort sur brin simple Zulässiger Seilzug je Strang Toegelaten trekkracht per part	Length of ropes Longueur des câbles Länge der Seile Kabellengte
Main hoist Levage sur flèche Hubwerk 1 Hijslier 1	0-165 m/min	23 mm	100 kN	400 m
Auxiliary hoist 2 Levage sur fléchette 2 Hubwerk 2 Hijslier 2	0-165 m/min	23 mm	100 kN	350 m
Slewing gear Orientation Drehwerk Zwenkwerk	0 - 1.6 RPM 0 - 1.6 t/min 0 - 1.6 U/min 0 - 1.6 tpm			
Travel speed Vitesse sur route Fahrgeschwindigkeit Rijsnelheid	0 - 37/63.5 km/h			
Booming up Relever la flèche Aufwippen Optoppen	83° 70 s			
Telescope Téléscoper Teleskopieren Telescoperen	14.1 m - 54.5 m 450 s			

Hook block/Crane hook
Crochet mouflé/Crochet simple



Unterflasche/Hakengehänge
Kraanblok/Kraanhaak

Capacity Capacité Tragfähigkeit Capaciteit	Number of sheaves Nombre de poulies Anzahl der Rollen Aantal schijven	Number of lines Nombre de brins Strangzahl Aantal parten	Weight Poids Gewicht Gewicht	"B"
SWL 160 t	5	11	1250 kg	3 m
SWL 80 t	4	9	820 kg	3 m
SWL 30 t	1	3	780 kg	2.7 m
SWL 10 t	-	1	330 kg	2.5 m