



sarens.tele

HOOFDZETEL/SIEGE

Autoweg 10
B-1861 Wolvertem, BELGIUM
Tel.: +32 (0)52.319.319
Fax.: +32 (0)52.319.329
e-mail: info@sarens.com
Internet: www.sarens.com

LAROY

Jacobsveldweg 8
B-2160 Wommelgem, BELGIUM
Tel.: +32 (0)3.3 551.551
Fax.: +32 (0)3.3 551.561
e-mail: info@laroy.be

GENT

Postbus 1
B-9060 Zelzate, BELGIUM
Tel.: +32 (0)9.342.66.66
Fax.: +32 (0)9.342.66.61

ANTWERPEN

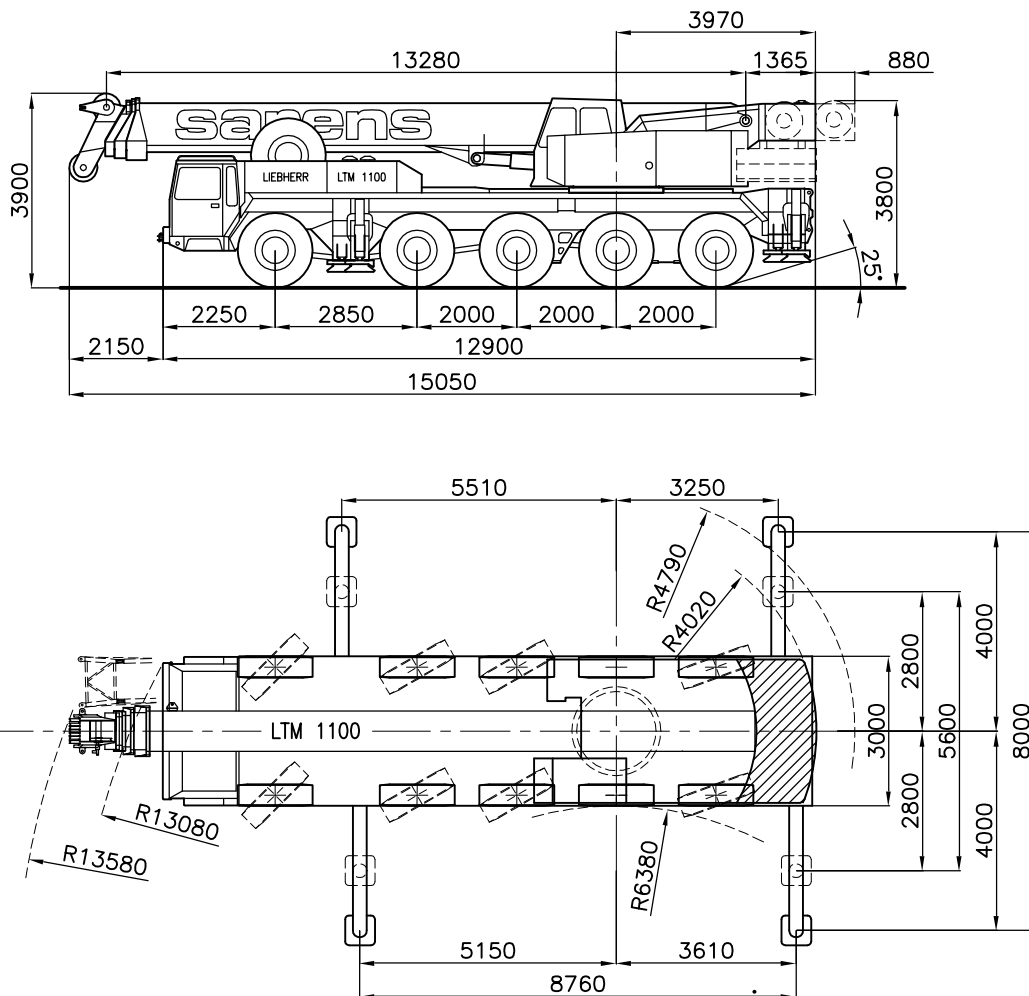
Scheldelaan 600, Haven 725
Locatie C110
B-2040 Antwerpen, BELGIUM
Tel.: +32 (0)3.5 613.440
Fax.: +32 (0)3.5 613.434

SARENS TRAMAUBEN

Grand'Route 51
B-7640 Maubray, BELGIUM
Tel.: +32 (0)69.446.700
Fax.: +32 (0)69.446.710
e-mail: info@tramauben.be

LIEBHERR LTM 1100 100/110 TON

1/150



Axle load / Charge par essieu / Achslast / Aslast

: 5 x 12 t (≡ 2.5 t)

Total weight / Poids total / Gesamtgewicht / Totaal gewicht

: 60 t (≡ 2.5 t)



LIEBHERR LTM 1100

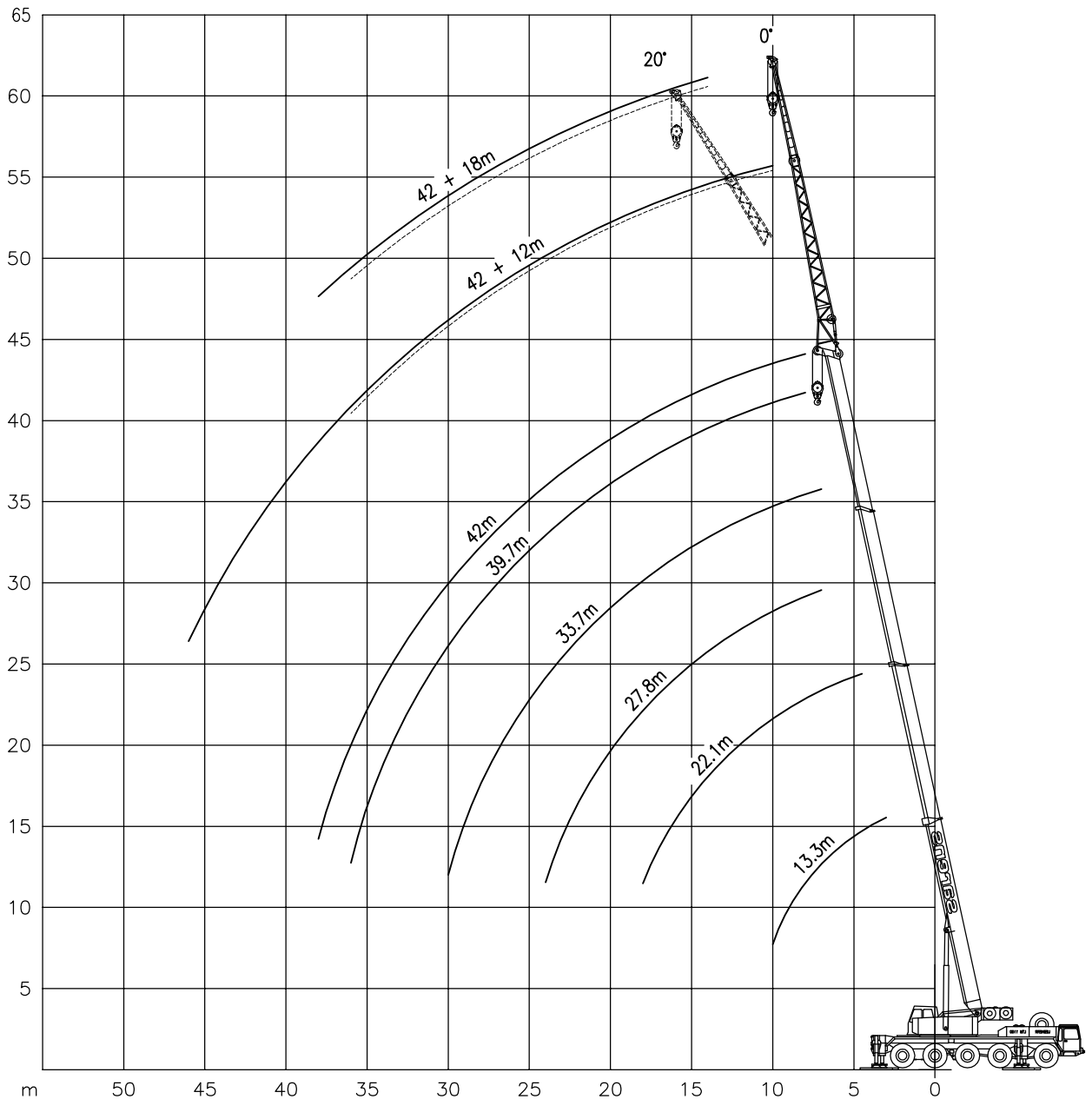
100/110 TON

Working ranges
Portées

Arbeitsbereiche
Werkbereich

T/TK

1/400





LIEBHERR LTM 1100

100/110 TON

Lifting capacities at main boom
Capacités à la flèche principale

Tragfähigkeiten am Hauptausleger
Capaciteiten aan de hoofdgiek



8.76 m x 8 m



15 t

T

360°

DIN 75 %

Radius
Portée
Ausladung

Main Boom – Flèche principale – Hauptausleger – Hoofdgiek

| Radius | 13.3m | 22.1m | 27.8m | 33.7m | 39.7m | 42m |
|--------|-------|-------|-------|-------|-------|------|
| m | t | t | t | t | t | t |
| 3 | 100 | – | – | – | – | – |
| 3.5 | 93 | – | – | – | – | – |
| 4 | 82 | – | – | – | – | – |
| 4.5 | 70 | 55 | – | – | – | – |
| 5 | 64 | 52 | – | – | – | – |
| 6 | 53 | 46 | – | – | – | – |
| 7 | 45 | 41 | 34.5 | 26 | – | – |
| 8 | 39 | 36.5 | 32.5 | 25 | 19.9 | 17.4 |
| 9 | 34 | 31.5 | 29.7 | 24.1 | 19.3 | 17.1 |
| 10 | 30.5 | 28 | 27.2 | 23 | 18.8 | 16.7 |
| 12 | – | 23.9 | 21.9 | 20.6 | 17.6 | 15.6 |
| 14 | – | 19.7 | 17.3 | 17 | 15.4 | 14.5 |
| 16 | – | 15.7 | 14 | 13.9 | 13.8 | 13.3 |
| 18 | – | 12.9 | 11.2 | 11.6 | 11.5 | 11.4 |
| 20 | – | – | 9.1 | 9.7 | 9.7 | 9.6 |
| 22 | – | – | 7.4 | 8.1 | 8.3 | 8.2 |
| 24 | – | – | 6 | 6.7 | 7.1 | 6.9 |
| 26 | – | – | – | 5.5 | 6 | 5.9 |
| 28 | – | – | – | 4.6 | 5 | 5 |
| 30 | – | – | – | 3.8 | 4.2 | 4.2 |
| 32 | – | – | – | – | 3.5 | 3.5 |
| 34 | – | – | – | – | 2.9 | 2.9 |
| 36 | – | – | – | – | 2.4 | 2.4 |
| 38 | – | – | – | – | – | 2 |



8.76 m x 8 m



2.5 t

T

360°

DIN 75 %

Radius
Portée
Ausladung

Main Boom – Flèche principale – Hauptausleger – Hoofdgiek

| Radius | 13.3m | 22.1m | 27.8m | 33.7m | 39.7m | 42m |
|--------|-------|-------|-------|-------|-------|------|
| m | t | t | t | t | t | t |
| 3 | 88 | – | – | – | – | – |
| 3.5 | 80 | – | – | – | – | – |
| 4 | 72 | – | – | – | – | – |
| 4.5 | 64 | 55 | – | – | – | – |
| 5 | 58 | 52 | – | – | – | – |
| 6 | 47 | 43 | – | – | – | – |
| 7 | 40 | 33.5 | 30.5 | 26 | – | – |
| 8 | 34.5 | 31 | 25 | 23.6 | 19 | 15 |
| 9 | 27.5 | 25.8 | 20.8 | 19.5 | 17.7 | 14.3 |
| 10 | 22.1 | 22 | 17.6 | 17 | 16.4 | 13.6 |
| 12 | – | 16.6 | 12.9 | 12.8 | 12.5 | 12.3 |
| 14 | – | 12.6 | 9.8 | 9.8 | 9.8 | 9.6 |
| 16 | – | 9.8 | 7.5 | 7.7 | 7.7 | 7.4 |
| 18 | – | 7.8 | 5.8 | 6 | 6.2 | 5.9 |
| 20 | – | – | 4.4 | 4.7 | 4.9 | 4.6 |
| 22 | – | – | 3.2 | 3.7 | 3.8 | 3.7 |
| 24 | – | – | 2.2 | 2.9 | 3 | 2.9 |
| 26 | – | – | – | 2.1 | 2.3 | 2.2 |
| 28 | – | – | – | 1.4 | 1.8 | 1.6 |
| 30 | – | – | – | 0.9 | 1.3 | 1.2 |
| 32 | – | – | – | – | 0.8 | 0.8 |



LIEBHERR LTM 1100

100/110 TON

8.76 m x 8 m 15 t **TK** 360° **DIN 75 %**

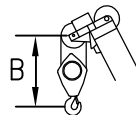
| Radius Portée Ausladung Radius | Main Boom + Jib / Flèche + Fléchette / Hauptausleger + Hilfsausleger / Hoofdgiek + Hulpgiek | | | | | | | | | |
|---|---|-----|--------|-----|------|-----|------|-----|------|-----|
| | 33,7 m | | 39,7 m | | | | 42 m | | | |
| | 12 m | | 12 m | | 18 m | | 12 m | | 18 m | |
| | 0° | 20° | 0° | 20° | 0° | 20° | 0° | 20° | 0° | 20° |
| m | t | t | t | t | t | t | t | t | t | t |
| 9 | 12.5 | 7.8 | - | - | - | - | - | - | - | - |
| 10 | 12.5 | 7.5 | 9.2 | 7.1 | - | - | 7.2 | 5.4 | - | - |
| 12 | 11.9 | 7 | 9.2 | 6.6 | 5.6 | 5 | 7.2 | 5 | - | - |
| 14 | 10.8 | 6.6 | 9.2 | 6.2 | 5.6 | 4.7 | 7.2 | 4.7 | 5.1 | 3.7 |
| 16 | 9.7 | 6.2 | 8.9 | 5.9 | 5.6 | 4.4 | 7.2 | 4.5 | 5.1 | 3.5 |
| 18 | 8.8 | 5.8 | 8.5 | 5.5 | 5.6 | 4.2 | 7 | 4.3 | 5.1 | 3.3 |
| 20 | 8 | 5.5 | 8.1 | 5.2 | 5.6 | 4 | 6.4 | 4.1 | 4.8 | 3.2 |
| 22 | 7.3 | 5.3 | 7.5 | 4.9 | 5.6 | 3.9 | 5.8 | 4 | 4.5 | 3.1 |
| 24 | 6.8 | 5.1 | 6.9 | 4.6 | 5.3 | 3.7 | 5.4 | 3.8 | 4.2 | 3 |
| 26 | 6.1 | 4.9 | 6 | 4.4 | 4.9 | 3.5 | 5 | 3.6 | 3.9 | 2.8 |
| 28 | 5.2 | 4.7 | 5.1 | 4.1 | 4.6 | 3.4 | 4.7 | 3.5 | 3.7 | 2.7 |
| 30 | 4.5 | 4.6 | 4.4 | 3.9 | 4.3 | 3.3 | 4.2 | 3.3 | 3.5 | 2.6 |
| 32 | 3.9 | 4.2 | 3.8 | 3.7 | 3.8 | 3.2 | 3.6 | 3.2 | 3.3 | 2.5 |
| 34 | 3.3 | 3.6 | 3.2 | 3.5 | 3.3 | 3.1 | 3 | 3 | 3.1 | 2.4 |
| 36 | 2.7 | 3 | 2.8 | 3 | 2.8 | 3 | 2.6 | 2.9 | 2.7 | 2.4 |
| 38 | 2.3 | - | 2.3 | 2.6 | 2.4 | 2.8 | 2.2 | - | 2.3 | - |
| 40 | 1.9 | - | 1.9 | - | 2 | - | 1.8 | - | - | - |
| 42 | 1.6 | - | 1.6 | - | 1.7 | - | 1.5 | - | - | - |
| 44 | - | - | 1.2 | - | 1.4 | - | 1.3 | - | - | - |
| 46 | - | - | 1 | - | 1.2 | - | 1 | - | - | - |
| 48 | - | - | - | - | 0.9 | - | - | - | - | - |
| 50 | - | - | - | - | - | - | - | - | - | - |

Working speeds Vitesses de travail

Arbeitsgeschwindigkeiten Werksnelheden

| Mechanisms Mécanismes Antriebe Aandrijvingen | Speeds Vitesses Geschwindigkeiten Snelheden | Rope diameter Diamètre du câble Seildurchmesser Kabeldiameter | Single line pull Effort sur brin simple Zulässiger Seilzug je Strang Toegelaten trekkracht per part | Length of ropes Longueur des câbles Länge der Seile Kabellänge |
|--|--|--|--|---|
| Main hoist Levage sur flèche Hubwerk 1 Hijslier 1 | 0 – 120 m/min | 21 mm | 80 | 250 m |
| Slewing gear Orientation Drehwerk Zwenkwerk | 0 – 2 RPM 0 – 2 t/min 0 – 2 U/min 0 – 2 tpm | | | |
| Travel speed Vitesse sur route Fahrgeschwindigkeit Rijnsnelheid | 0 – 67 km/h | | | |

Hook block/Crane hook Crochet mouflé/Crochet simple



Unterflasche/Hakengehänge Kraanblok/Kraanhaak

| Capacity Capacité Tragfähigkeit Capaciteit | Number of sheaves Nombre de poulies Anzahl der Rollen Aantal schijven | Number of lines Nombre de brins Strangzahl Aantal parten | Weight Poids Gewicht Gewicht | "B" |
|---|--|---|---------------------------------------|-------|
| SWL 100 t | 7 | 14 | 580 kg | 2.4 m |
| SWL 80 t | 5 | 11 | 500 kg | 2.4 m |
| SWL 50 t | 3 | 7 | 480 kg | 2.4 m |
| SWL 25 t | 1 | 3 | 560 kg | 2.4 m |
| SWL 8 t | - | 1 | 190 kg | 2 m |