



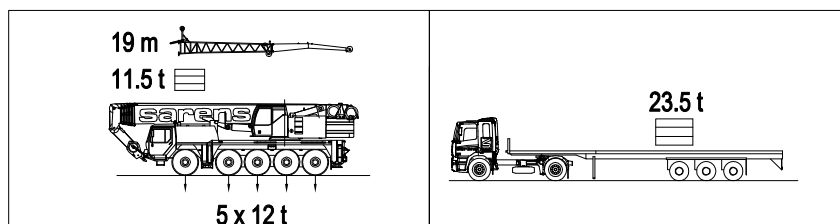
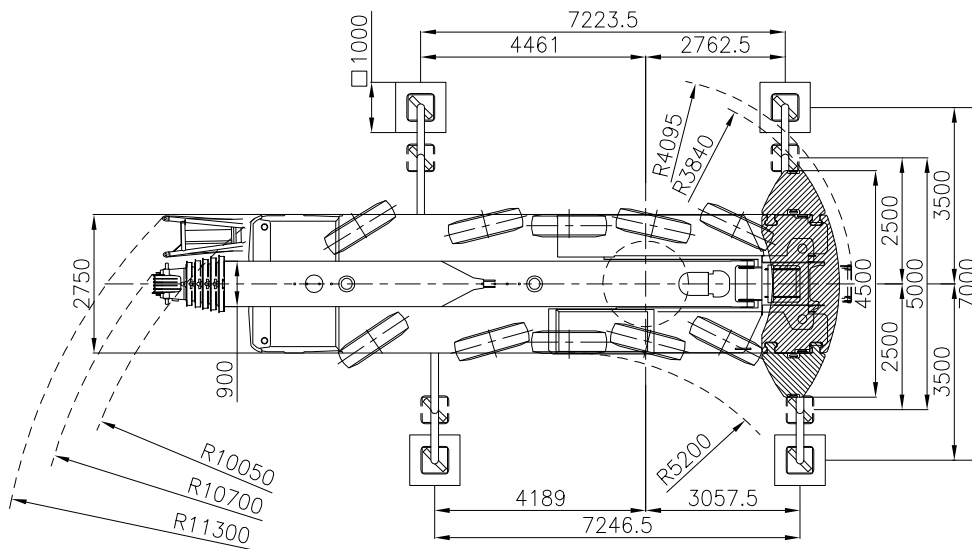
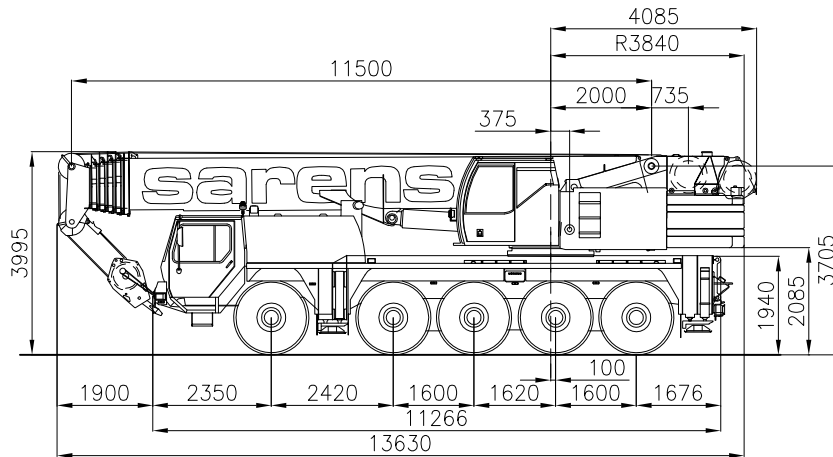
sarens
group

www.sarens.com

LIEBHERR LTM 1100/2

100 TON

1/150



nothing too heavy, nothing too high





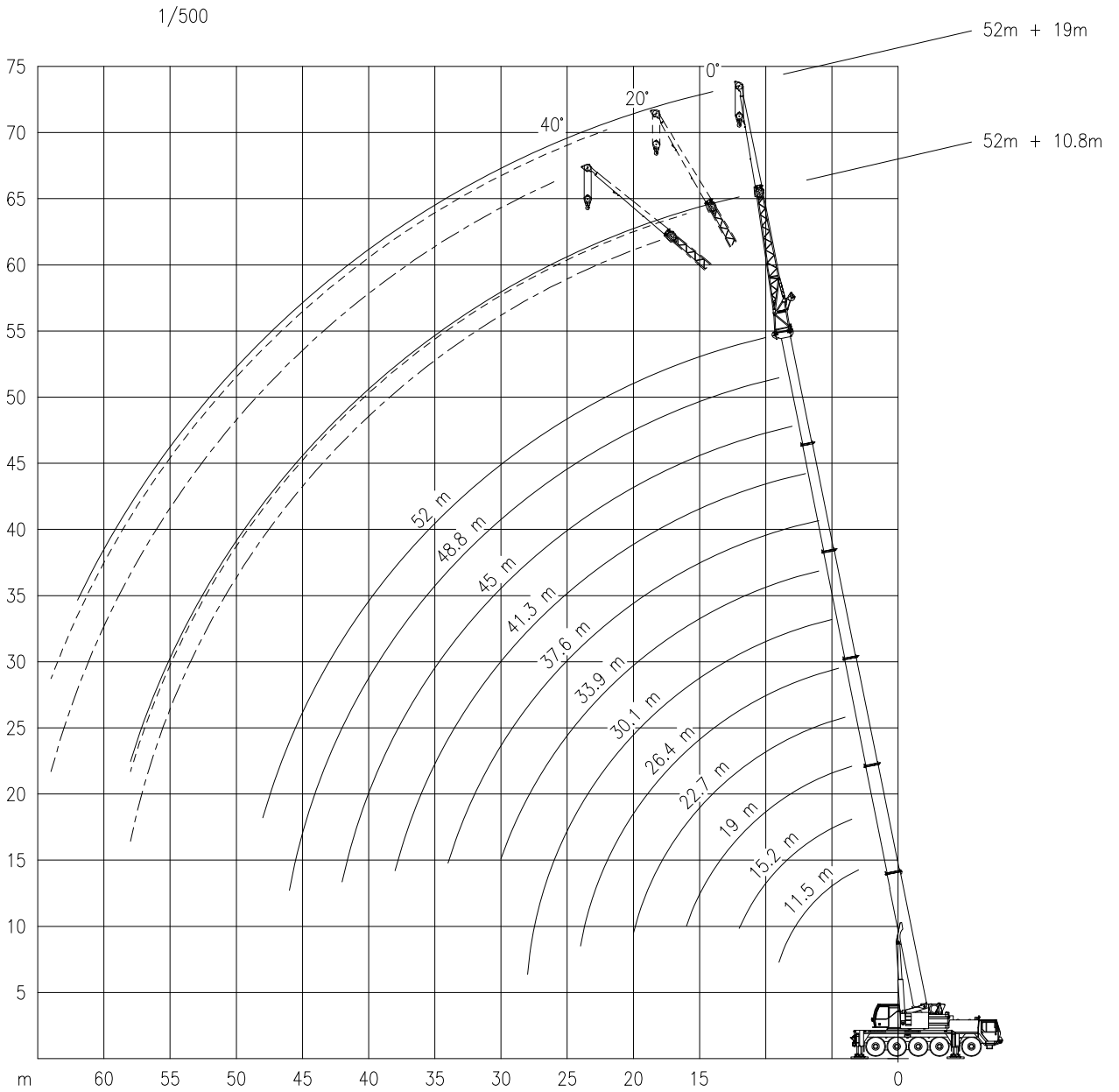
LIEBHERR LTM 1100/2

100 TON

Working ranges
Portées

Arbeitsbereiche
Werkbereich

T / TK



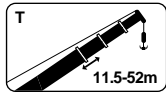


LIEBHERR LTM 1100/2

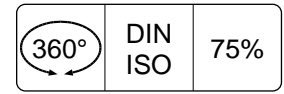
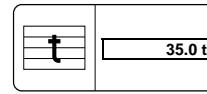
100 TON

Lifting capacities at main boom
Capacités à la flèche principale

Tragfähigkeiten am Hauptausleger
Capaciteiten aan de hoofdgiel

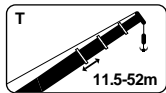


T

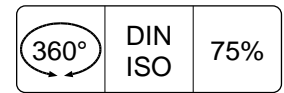
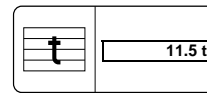


m	11.5m		15.2m		19.0m		22.7m		26.4m		30.1m		33.9m		37.6m		41.3m		45.0m		48.8m		52.0m		
	t	t	t	t	t	t	t	t	t	t	t	t	t	t	t	t	t	t	t	t	t	t	t	t	
3.0	95.0*	83.0	-	-	-	-	-	-	-	-	-	-	-	-	-	-	-	-	-	-	-	-	-	-	-
3.5	86.0*	80.0	68.0	64.0	-	-	-	-	-	-	-	-	-	-	-	-	-	-	-	-	-	-	-	-	-
4.0	78.0*	73.0	68.0	64.0	61.0	-	-	-	-	-	-	-	-	-	-	-	-	-	-	-	-	-	-	-	-
4.5	71.0*	67.0	67.0	65.0	59.0	51.0	-	-	-	-	-	-	-	-	-	-	-	-	-	-	-	-	-	-	-
5.0	65.0*	62.0	61.0	61.0	57.0	49.5	42.0	-	-	-	-	-	-	-	-	-	-	-	-	-	-	-	-	-	-
6.0	55.0*	53.0	53.0	53.0	52.0	46.5	39.0	33.0	28.0	-	-	-	-	-	-	-	-	-	-	-	-	-	-	-	-
7.0	47.0*	46.0	46.0	46.0	45.5	43.5	37.0	31.0	26.6	22.3	-	-	-	-	-	-	-	-	-	-	-	-	-	-	-
8.0	41.0*	39.5	40.0	39.5	39.0	39.5	35.0	29.2	25.3	21.4	18.9	-	-	-	-	-	-	-	-	-	-	-	-	-	-
9.0	36.0*	34.5	35.0	34.5	35.0	34.5	33.5	27.6	23.9	20.4	18.0	14.5	-	-	-	-	-	-	-	-	-	-	-	-	-
10.0	-	-	31.0	30.5	31.5	31.5	31.0	26.1	22.7	19.5	17.3	14.0	11.4	-	-	-	-	-	-	-	-	-	-	-	-
12.0	-	-	24.9	25.3	25.1	24.7	23.1	20.5	17.8	16.0	13.2	10.7	-	-	-	-	-	-	-	-	-	-	-	-	-
14.0	-	-	-	20.8	20.8	20.6	20.2	19.9	18.3	16.3	14.9	12.6	10.1	-	-	-	-	-	-	-	-	-	-	-	-
16.0	-	-	-	17.4	17.3	17.1	16.7	16.8	16.2	14.7	13.8	12.0	9.6	-	-	-	-	-	-	-	-	-	-	-	-
18.0	-	-	-	-	14.7	14.5	14.2	14.4	14.0	13.3	12.5	11.2	9.1	-	-	-	-	-	-	-	-	-	-	-	-
20.0	-	-	-	-	12.6	12.4	12.7	12.3	11.9	11.6	11.4	10.4	8.6	-	-	-	-	-	-	-	-	-	-	-	-
22.0	-	-	-	-	-	10.7	11.1	10.7	10.2	10.3	10.1	9.6	8.1	-	-	-	-	-	-	-	-	-	-	-	-
24.0	-	-	-	-	-	9.5	9.7	9.5	9.4	9.1	8.8	8.9	7.6	-	-	-	-	-	-	-	-	-	-	-	-
26.0	-	-	-	-	-	-	8.5	8.4	8.2	8.2	8.1	7.8	7.1	-	-	-	-	-	-	-	-	-	-	-	-
28.0	-	-	-	-	-	-	7.6	7.7	7.3	7.3	7.2	6.8	6.6	-	-	-	-	-	-	-	-	-	-	-	-
30.0	-	-	-	-	-	-	-	6.9	6.7	6.5	6.4	5.7	5.7	-	-	-	-	-	-	-	-	-	-	-	-
34.0	-	-	-	-	-	-	-	-	5.4	5.1	4.9	4.6	4.6	-	-	-	-	-	-	-	-	-	-	-	-
38.0	-	-	-	-	-	-	-	-	-	4.3	4.1	3.7	3.7	-	-	-	-	-	-	-	-	-	-	-	-
42.0	-	-	-	-	-	-	-	-	-	-	3.4	3.1	3.0	-	-	-	-	-	-	-	-	-	-	-	-
46.0	-	-	-	-	-	-	-	-	-	-	-	2.5	2.5	-	-	-	-	-	-	-	-	-	-	-	-
48.0	-	-	-	-	-	-	-	-	-	-	-	-	2.2	-	-	-	-	-	-	-	-	-	-	-	-

*Over rear / En arrière / Nach hinten / Over achterzijde



T



m	11.5m		15.2m		19.0m		22.7m		26.4m		30.1m		33.9m		37.6m		41.3m		45.0m		48.8m		52.0m		
	t	t	t	t	t	t	t	t	t	t	t	t	t	t	t	t	t	t	t	t	t	t	t	t	
3.0	83.0	-	-	-	-	-	-	-	-	-	-	-	-	-	-	-	-	-	-	-	-	-	-	-	-
3.5	77.0	68.0	64.0	-	-	-	-	-	-	-	-	-	-	-	-	-	-	-	-	-	-	-	-	-	-
4.0	69.0	68.0	64.0	61.0	-	-	-	-	-	-	-	-	-	-	-	-	-	-	-	-	-	-	-	-	-
4.5	62.0	62.0	62.0	57.0	51.0	-	-	-	-	-	-	-	-	-	-	-	-	-	-	-	-	-	-	-	-
5.0	56.0	56.0	55.0	50.0	46.5	42.0	-	-	-	-	-	-	-	-	-	-	-	-	-	-	-	-	-	-	-
6.0	45.0	45.5	42.5	41.5	39.0	36.0	33.0	28.0	-	-	-	-	-	-	-	-	-	-	-	-	-	-	-	-	-
7.0	37.0	37.5	36.5	34.0	32.0	30.0	28.3	26.3	22.3	-	-	-	-	-	-	-	-	-	-	-	-	-	-	-	-
8.0	30.5	31.5	30.5	28.8	27.2	25.5	24.7	23.0	21.4	18.9	-	-	-	-	-	-	-	-	-	-	-	-	-	-	-
9.0	24.8	26.1	26.0	24.7	23.4	22.9	21.3	19.8	18.9	18.0	14.5	-	-	-	-	-	-	-	-	-	-	-	-	-	-
10.0	-	21.8	22.4	21.3	20.3	19.9	18.9	17.8	16.9	15.9	14.0	11.4	-	-	-	-	-	-	-	-	-	-	-	-	-
12.0	-	15.9	16.5	16.5	15.7	15.5	14.8	14.5	13.9	13.3	12.4	10.7	-	-	-	-	-	-	-	-	-	-	-	-	-
14.0	-	-	12.7	13.2	12.6	12.8	12.5	11.9	11.3	10.8	10.0	9.8	-	-	-	-	-	-	-	-	-	-	-	-	-
16.0	-	-	10.1	10.5	10.4	10.8	10.4	9.9	9.4	8.9	8.2	8.0	-	-	-	-	-	-	-	-	-	-	-	-	-
18.0	-	-	-	8.7	8.7	8.9	8.7	8.3	7.8	7.4	6.8	6.6	-	-	-	-	-	-	-	-	-	-	-	-	-
20.0	-	-	-	7.3	7.3	7.4	7.3	7.1	6.6	6.3	5.7	5.5	-	-	-	-	-	-	-	-	-	-	-	-	-
22.0	-	-	-	-	6.2	6.3	6.0	5.8	5.5	5.3	4.7	4.6	-	-	-	-	-	-	-	-	-	-	-	-	-
24.0	-	-	-	-	5.3	5.4	5.2	5.0	4.7	4.4	3.9	3.9	-	-	-	-	-	-	-	-	-	-	-	-	-
26.0	-	-	-	-	-	4.6	4.4	4.2	3.9	3.7	3.3	3.2	-	-	-	-	-	-	-	-	-	-	-	-	-
28.0	-	-	-	-	-	4.0	3.8	3.7	3.4	3.1	2.7	2.6	-	-	-	-	-	-	-	-	-	-	-	-	-
30.0	-	-	-	-	-	-	3.3	3.1	2.9	2.6	2.2	2.1	-	-	-	-	-	-	-	-	-	-	-	-	-
34.0	-	-	-	-	-	-	-	-	2.3	2.0	1.8	1.3	-	-	-	-	-	-	-	-	-	-	-	-	-
38.0	-	-	-	-	-	-	-	-	-	1.3	1.1	-	-	-	-	-	-	-	-	-	-	-	-	-	-

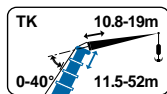


LIEBHERR LTM 1100/2

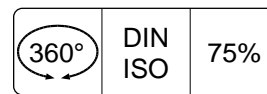
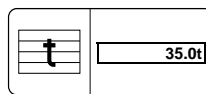
100 TON

Lifting capacities at folding jib
Capacités à la flèche pliante

Tragfähigkeiten an der klappspitze
Capaciteiten aan de klapjib



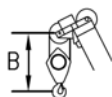
TK



m	11.5m						37.6m						41.3m					
	10.5m			19.0m			10.5m			19.0m			10.5m			19.0m		
	0°	20°	40°	0°	20°	40°	0°	20°	40°	0°	20°	40°	0°	20°	40°	0°	20°	40°
	t	t	t	t	t	t	t	t	t	t	t	t	t	t	t	t	t	t
3.0	17.5	-	-	-	-	-	-	-	-	-	-	-	-	-	-	-	-	-
3.5	17.3	-	-	-	-	-	-	-	-	-	-	-	-	-	-	-	-	-
4.0	17.0	-	-	-	-	-	-	-	-	-	-	-	-	-	-	-	-	-
4.5	16.8	-	-	7.7	-	-	-	-	-	-	-	-	-	-	-	-	-	-
5.0	16.5	-	-	7.6	-	-	-	-	-	-	-	-	-	-	-	-	-	-
6.0	15.2	14.3	-	7.4	-	-	-	-	-	-	-	-	-	-	-	-	-	-
7.0	14.0	13.7	-	7.3	-	-	-	-	-	-	-	-	-	-	-	-	-	-
8.0	12.7	13.2	-	7.1	-	-	14.1	-	-	-	-	-	-	-	-	-	-	-
9.0	11.9	12.2	11.0	6.7	-	-	13.7	-	-	-	-	-	12.6	-	-	-	-	-
10.0	11.1	11.3	10.1	6.3	4.9	-	13.3	-	-	5.5	-	-	12.4	-	-	-	-	-
12.0	9.4	9.9	8.9	5.5	4.4	-	12.7	11.3	-	5.5	-	-	12.0	-	-	5.2	-	-
14.0	8.5	8.4	7.7	5.0	4.1	-	12.2	10.8	-	5.4	-	-	11.6	10.4	-	5.2	-	-
16.0	7.5	7.7	7.0	4.5	3.8	3.3	11.3	10.1	8.6	5.4	4.3	-	11.0	9.9	8.7	5.2	-	-
18.0	6.6	6.9	6.6	4.1	3.5	3.1	10.4	9.5	8.3	5.2	4.2	-	10.2	9.4	8.3	5.1	4.2	-
20.0	-	-	-	3.7	3.3	3.0	9.6	8.9	7.9	5.0	4.0	-	9.4	8.9	7.9	5.0	4.1	-
22.0	-	-	-	3.5	3.2	2.9	8.8	8.4	7.6	4.9	3.8	3.2	8.8	8.5	7.6	4.8	3.9	3.2
24.0	-	-	-	3.3	3.0	2.9	8.0	7.9	7.2	4.7	3.7	3.1	8.1	8.0	7.3	4.7	3.8	3.2
26.0	-	-	-	3.1	2.9	2.8	7.3	7.3	6.7	4.5	3.6	3.1	7.3	7.5	7.0	4.6	3.6	3.1
28.0	-	-	-	2.9	-	-	6.5	6.6	6.4	4.3	3.5	3.0	6.3	6.7	6.8	4.4	3.5	3.1
30.0	-	-	-	-	-	-	5.6	6.0	5.8	4.1	3.4	3.0	5.6	5.7	5.7	4.2	3.4	3.0
34.0	-	-	-	-	-	-	4.5	4.7	4.8	3.8	3.3	3.0	4.5	4.7	4.9	3.9	3.3	3.0
38.0	-	-	-	-	-	-	3.8	3.8	3.9	3.5	3.1	2.9	3.9	3.9	4.0	3.6	3.2	3.0
42.0	-	-	-	-	-	-	3.4	3.5	3.5	3.1	3.0	2.7	3.3	3.4	3.5	3.2	3.1	3.0
46.0	-	-	-	-	-	-	-	-	-	2.6	2.7	2.5	2.8	2.8	2.9	2.8	2.9	3.0
50.0	-	-	-	-	-	-	-	-	-	2.2	2.4	2.3	-	-	-	2.5	2.6	2.7
54.0	-	-	-	-	-	-	-	-	-	-	-	-	-	-	-	2.1	2.2	2.2
56.0	-	-	-	-	-	-	-	-	-	-	-	-	-	-	-	-	2.0	-

m	45.0m						48.8m						52.0m					
	10.5m			19.0m			10.5m			19.0m			10.5m			19.0m		
	0°	20°	40°	0°	20°	40°	0°	20°	40°	0°	20°	40°	0°	20°	40°	0°	20°	40°
	t	t	t	t	t	t	t	t	t	t	t	t	t	t	t	t	t	t
10.0	10.0	-	-	-	-	-	-	-	-	-	-	-	-	-	-	-	-	-
12.0	9.5	-	-	4.9	-	-	7.7	-	-	4.4	-	-	6.3	-	-	-	-	-
14.0	9.1	8.6	-	4.9	-	-	7.4	-	-	4.4	-	-	6.0	-	-	3.7	-	-
16.0	8.7	8.2	-	4.9	-	-	7.1	6.7	-	4.4	-	-	5.7	5.4	-	3.7	-	-
18.0	8.2	7.8	7.5	4.8	-	-	6.7	6.4	6.2	4.4	-	-	5.3	5.1	5.1	3.6	-	-
20.0	7.8	7.3	7.1	4.7	4.0	-	6.3	6.0	5.9	4.3	3.9	-	5.1	4.9	4.8	3.6	-	-
22.0	7.4	7.0	6.8	4.6	3.9	-	6.0	5.7	5.6	4.2	3.8	-	4.8	4.6	4.6	3.5	3.4	-
24.0	7.1	6.6	6.4	4.5	3.8	3.2	5.7	5.5	5.4	4.1	3.7	-	4.6	4.4	4.4	3.4	3.3	-
26.0	6.7	6.3	6.1	4.4	3.6	3.1	5.4	5.2	5.2	4.0	3.6	3.1	4.4	4.2	4.2	3.2	3.2	3.1
28.0	6.2	6.0	5.9	4.4	3.6	3.1	5.2	5.0	5.0	3.8	3.5	3.1	4.2	4.0	4.0	3.1	3.0	3.1
30.0	5.2	5.6	5.7	4.2	3.5	3.0	5.0	4.8	4.8	3.7	3.5	3.1	4.0	3.8	3.8	3.0	2.9	2.9
34.0	4.5	4.4	4.6	4.0	3.3	3.0	4.2	4.5	4.5	3.5	3.3	3.0	3.6	3.5	3.5	2.8	2.7	2.7
38.0	3.7	3.9	4.0	3.6	3.2	3.0	3.4	3.6	3.7	3.3	3.2	3.0	3.3	3.3	3.3	2.6	2.5	2.5
42.0	3.1	3.2	3.3	3.0	3.1	3.0	2.7	2.9	3.0	2.9	3.0	3.0	2.7	2.8	2.9	2.4	2.3	2.4
46.0	2.5	2.6	2.7	2.7	2.8	2.8	2.2	2.3	2.4	2.4	2.7	2.9	2.1	2.2	2.3	2.2	2.2	2.2
50.0	2.1	2.1	2.1	2.2	2.4	2.5	1.7	1.8	1.9	1.9	2.1	2.3	1.7	1.8	1.8	1.8	2.1	2.1
54.0	-	-	-	1.8	2.0	2.0	1.4	1.4	1.4	1.5	1.7	1.8	1.3	1.4	1.4	1.4	1.6	1.8
58.0	-	-	-	1.5	1.6	1.6	-	-	-	1.2	1.3	1.4	0.9	1.0	1.0	1.1	1.3	1.4
60.0	-	-	-	1.4	-	-	-	-	-	1.0	1.1	1.2	-	-	-	0.9	1.1	1.2
62.0	-	-	-	-	-	-	-	-	-	0.9	1.0	1.0	-	-	-	0.8	0.9	1.0
64.0	-	-	-	-	-	-	-	-	-	-	-	-	-	-	-	-	0.8	0.8

Hook Block / Crane hook Crochet mouflé / Crochet simple



Unterflasche / Hakengehänge Kraanblok / Kraanhaak

Capacity Capacité Tragfähigkeit Capaciteit	Number of sheaves Nombre de poulies Anzahl der Rollen Aantal schijven	Number of lines Nombre de brins Strangzahl Aantal parten	Weight Poids Gewicht Gewicht	"B"
SWL 63.0 t	3	7	700 kg	3.0 m
SWL 30.0 t	1	3	450 kg	3.0 m
SWL 8.5 t	-	1	250 kg	1.8 m