

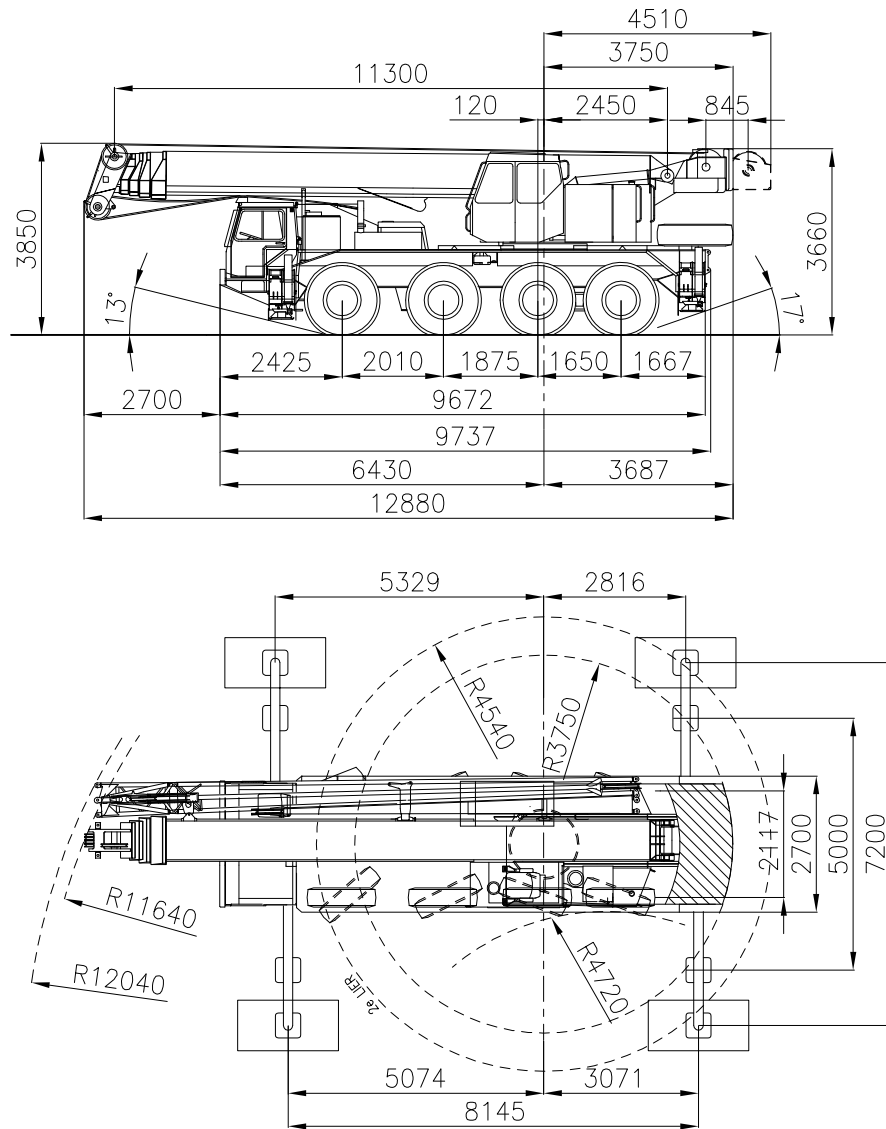


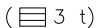
sarens
group

www.sarens.com

LIEBHERR LTM 1070 (42 M)

70 TON



Axle load / Charge par essieu / Achslast / Aslast	: 4 x 12 t	( 3 t)
Total weight / Poids total / Gesamtgewicht / Totaal gewicht	: 48 t	( 3 t)

nothing too heavy, nothing too high





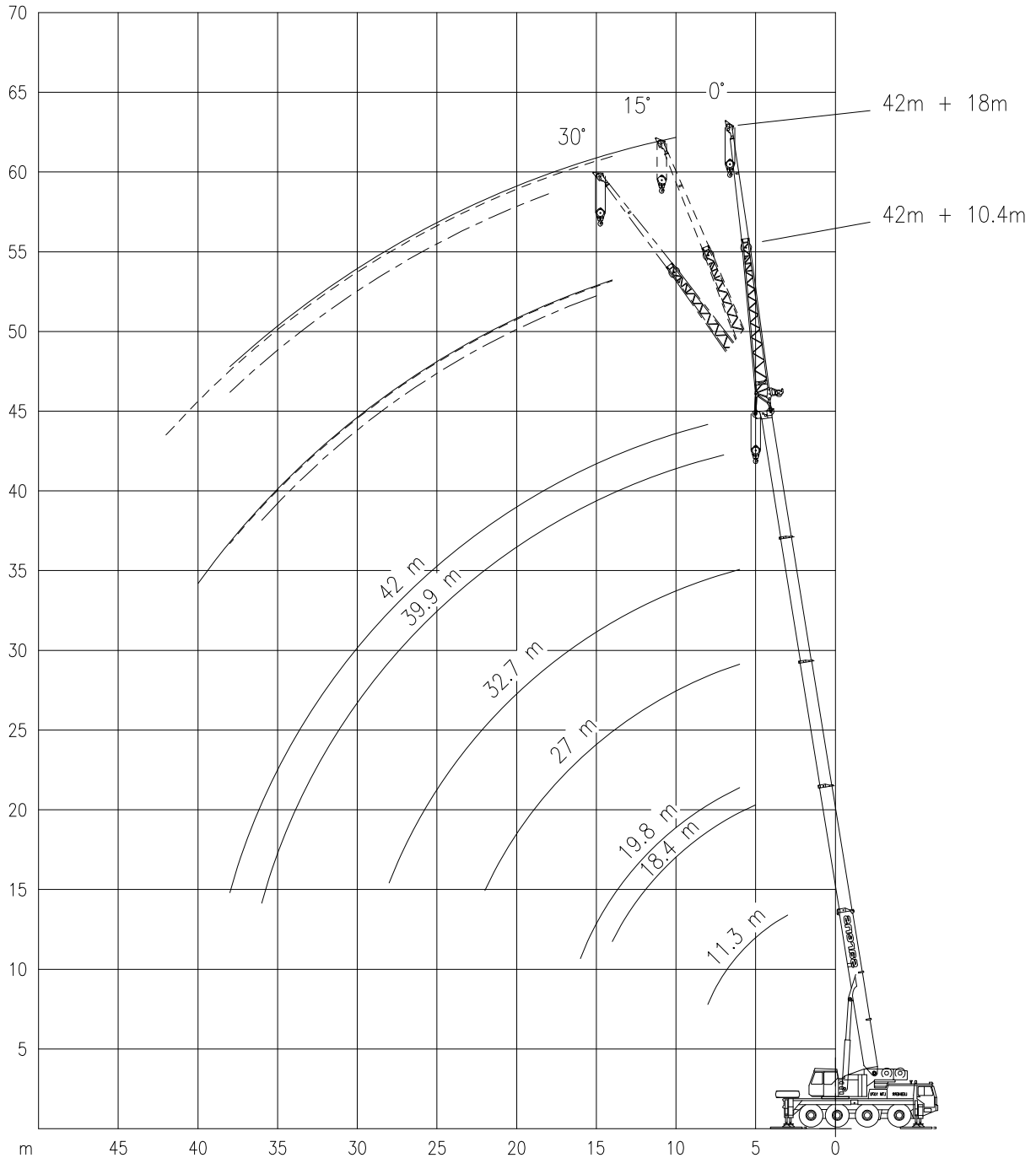
LIEBHERR LTM 1070 (42 M)

70 TON

Working ranges
Portées

Arbeitsbereiche
Werkbereich

1/400



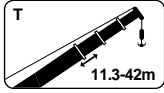


LIEBHERR LTM 1070 (42 M)

70 TON

Lifting capacities
Capacités

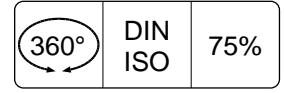
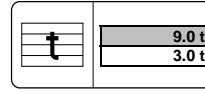
Tragfähigkeiten
Capacités



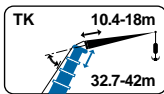
T



7.2m



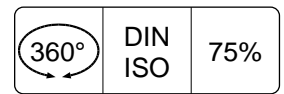
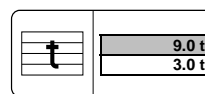
m	11.3 m			18.4 m		19.8 m		27.0 m		32.7 m		39.9 m		42.0 m	
	t	t	t	t	t	t	t	t	t	t	t	t	t	t	t
3.0	70.0*	60.0	60.0	-	-	-	-	-	-	-	-	-	-	-	-
3.5	65.0*	54.0	54.0	-	-	-	-	-	-	-	-	-	-	-	-
4.0	60.0*	50.0	49.5	-	-	-	-	-	-	-	-	-	-	-	-
4.5	54.0*	46.5	44.5	-	-	-	-	-	-	-	-	-	-	-	-
5.0	48.0*	42.5	41.0	40.0	38.5	-	-	-	-	-	-	-	-	-	-
6.0	39.0*	36.0	33.0	34.0	29.9	23.0	23.0	22.0	22.0	16.0	15.5	-	-	-	-
7.0	32.5*	30.0	26.8	27.8	23.6	23.0	23.0	22.0	22.0	16.0	15.5	11.5	10.0	-	-
8.0	27.6*	25.6	21.9	23.2	19.1	23.0	22.3	22.0	18.3	16.0	15.5	11.5	10.0	10.0	8.5
9.0	-	-	-	19.2	15.8	21.6	18.9	19.7	15.5	15.8	14.8	11.4	10.0	9.9	8.5
10.0	-	-	-	16.2	13.2	19.1	16.1	17.0	13.2	15.5	13.0	11.3	10.0	9.8	8.5
12.0	-	-	-	11.9	9.3	14.6	11.8	12.9	9.9	12.8	11.4	11.2	9.5	9.4	8.5
14.0	-	-	-	9.0	6.5	11.5	9.0	9.9	7.5	10.6	9.2	10.0	7.4	8.9	7.3
16.0	-	-	-	-	-	9.2	7.1	7.7	5.7	9.3	7.4	8.2	5.8	8.0	5.7
18.0	-	-	-	-	-	-	-	6.1	4.2	7.9	5.9	6.6	4.6	6.5	4.5
20.0	-	-	-	-	-	-	-	4.8	3.1	6.5	4.8	5.3	3.4	5.2	3.3
22.0	-	-	-	-	-	-	-	3.7	2.3	5.5	3.9	4.2	2.7	4.1	2.6
24.0	-	-	-	-	-	-	-	-	-	4.6	3.2	3.3	2.0	3.3	2.0
26.0	-	-	-	-	-	-	-	-	-	3.9	2.6	2.7	1.5	2.7	1.5
28.0	-	-	-	-	-	-	-	-	-	3.3	2.2	2.3	1.1	2.2	1.1
30.0	-	-	-	-	-	-	-	-	-	-	-	1.9	0.8	1.8	0.7
32.0	-	-	-	-	-	-	-	-	-	-	-	1.5	-	1.5	-
34.0	-	-	-	-	-	-	-	-	-	-	-	1.2	-	1.2	-
36.0	-	-	-	-	-	-	-	-	-	-	-	0.9	-	0.9	-
38.0	-	-	-	-	-	-	-	-	-	-	-	-	-	0.6	-



TK



7.5m



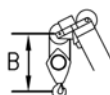
m	32.7 m						39.9 m						42.0 m					
	10.4 m			18.0 m			10.4 m			18.0 m			10.4 m			18.0 m		
	0°	15°	30°	0°	15°	30°	0°	15°	30°	0°	15°	30°	0°	15°	30°	0°	15°	30°
8.0	8.2	-	-	-	-	-	-	-	-	-	-	-	-	-	-	-	-	-
9.0	8.2	7.0	-	3.5	-	-	6.5	5.6	-	-	-	-	5.7	4.5	-	-	-	-
10.0	8.2	6.7	-	3.5	-	-	6.5	5.5	-	3.1	-	-	5.7	4.4	-	3.0	-	-
12.0	8.1	6.2	4.2	3.5	3.0	-	6.5	5.2	3.8	3.1	3.0	-	5.7	4.2	2.6	3.0	-	-
14.0	7.9	5.7	3.9	3.5	3.0	-	6.4	4.9	3.6	3.1	3.0	-	5.6	3.8	2.4	3.0	2.7	-
16.0	7.6	5.2	3.6	3.5	3.0	2.4	6.2	4.6	3.5	3.1	3.0	2.4	5.5	3.5	2.2	3.0	2.6	-
18.0	6.2	4.8	3.4	3.5	2.9	2.3	5.9	4.3	3.3	3.1	2.9	2.3	5.0	3.2	2.0	3.0	2.4	1.6
20.0	5.0	4.4	3.2	3.5	2.8	2.2	5.0	4.1	3.2	3.1	2.8	2.2	4.6	2.9	1.9	3.0	2.2	1.5
22.0	4.0	4.0	3.1	3.4	2.6	2.1	4.0	3.8	3.0	3.1	2.6	2.1	3.9	2.7	1.7	3.0	2.1	1.4
24.0	3.3	3.7	3.0	3.2	2.5	2.0	3.3	3.6	2.8	3.1	2.5	2.0	3.2	2.5	1.5	2.8	1.9	1.3
26.0	2.7	3.0	2.9	3.0	2.4	1.9	2.7	3.0	2.7	2.9	2.4	1.9	2.6	2.3	1.4	2.6	1.7	1.2
28.0	2.2	2.5	2.7	2.8	2.2	1.9	2.3	2.5	2.5	2.4	2.2	1.9	2.2	2.1	1.3	2.3	1.6	1.1
30.0	1.8	2.1	2.3	2.6	2.1	1.8	1.8	2.0	2.2	2.0	2.1	1.8	1.8	1.9	1.1	1.9	1.5	1.0
32.0	1.5	1.7	1.8	2.5	2.0	1.8	1.5	1.7	1.8	1.7	2.0	1.8	1.4	1.6	1.0	1.6	1.4	0.9
34.0	1.2	1.4	1.5	2.2	1.9	1.8	1.2	1.3	1.5	1.4	1.7	1.8	1.1	1.3	0.9	1.3	1.3	0.8
36.0	0.9	1.1	1.2	1.9	1.8	1.7	0.9	1.0	1.2	1.1	1.4	1.6	0.8	1.0	0.8	1.0	1.2	0.7
38.0	0.7	0.8	0.9	1.7	1.8	1.7	0.7	0.8	0.9	0.9	1.1	1.3	-	0.7	0.7	0.8	1.0	0.6
40.0	-	-	-	1.5	1.6	1.6	-	0.6	0.6	-	0.9	1.0	-	-	0.6	-	0.8	-
42.0	-	-	-	1.3	1.4	1.5	-	-	-	-	0.6	0.8	-	-	-	-	0.6	-
44.0	-	-	-	1.1	1.2	1.2	-	-	-	-	-	0.6	-	-	-	-	-	-
46.0	-	-	-	1	1.0	-	-	-	-	-	-	-	-	-	-	-	-	-

*Over rear / En arrière / Nach hinten / Over achterzijde.



Mechanisms Mécanismes Antriebe Aandrijvingen	Speeds Vitesses Geschwindigkeiten Snelheden	Rope diameter Diamètre du câble Seildurchmesser Kabeldiameter	Single line pull Effort sur brin simple Zulässiger Seilzug je strang Toegelaten trekkracht / part	Length of ropes Longueur des cables Länge der Seile Kabellengte
Main hoist Levage sur flèche Hubwerk 1 Hijlslier 1	0 – 125 m/min	21 mm	74 kN	165 m
Auxiliary hoist Levage sur fléchette Hubwerk 2 Hijlslier 2	0 – 125 m/min	21 mm	74 kN	165 m
Slewing gear Orientation Drehwerk Zwenkwerk	0 – 2 RPM			
Travel speed Vitesse sur route Fahrgeschwindigkeit Rijsnelheid	0 – 70 km/h			
Booming up Relever la flèche Aufwippen Optoppen	83° 30 sec			
Telescope Téléscoper Teleskopieren Telescoperen	11.1 - 42 m 90 sec			

Hook Block / Crane hook Crochet mouflé / Crochet simple



Unterflasche / Hakengehänge Kraanblok / Kraanhaak

Capacity Capacité Tragfähigkeit Capaciteit	Number of sheaves Nombre de poulies Anzahl der Rollen Aantal schijven	Number of lines Nombre de brins Strangzahl Aantal parten	Weight Poids Gewicht Gewicht	"B"
SWL 70.0 t	5	11	880 kg	2.0 m
SWL 50.0 t	3	7	522 kg	2.0 m
SWL 22.0 t	1	3	450 kg	2.0 m
SWL 7.5 t	-	1	190 kg	1.8 m