

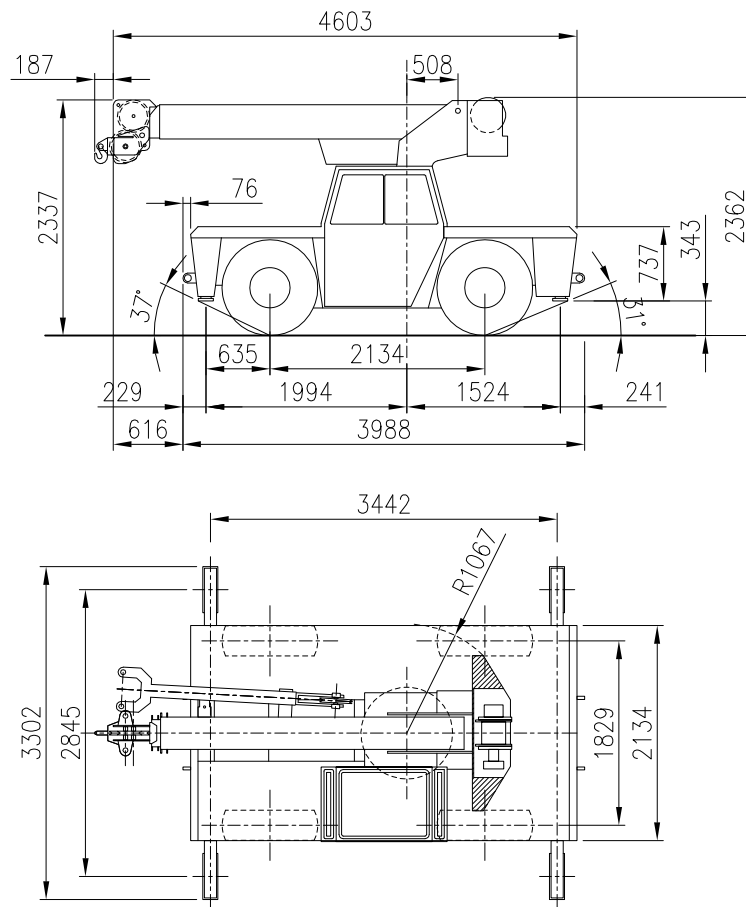


sarens
group

www.sarens.com

GROVE AP 308

8 TON



Front axle load / Charge essieu devant / Achslast vorn / Aslast vooraan	:	3.053 t
Rear axle load / Charge essieu derrière / Achslast hinten / Aslast achteraan	:	3.960 t
Total weight / Poids total / Gesamtgewicht / Totaal gewicht	:	7.013 t
Tyres / Pneus / Bereifung / Banden	:	10 x 15-16 PR

nothing too heavy, nothing too high





GROVE AP 308

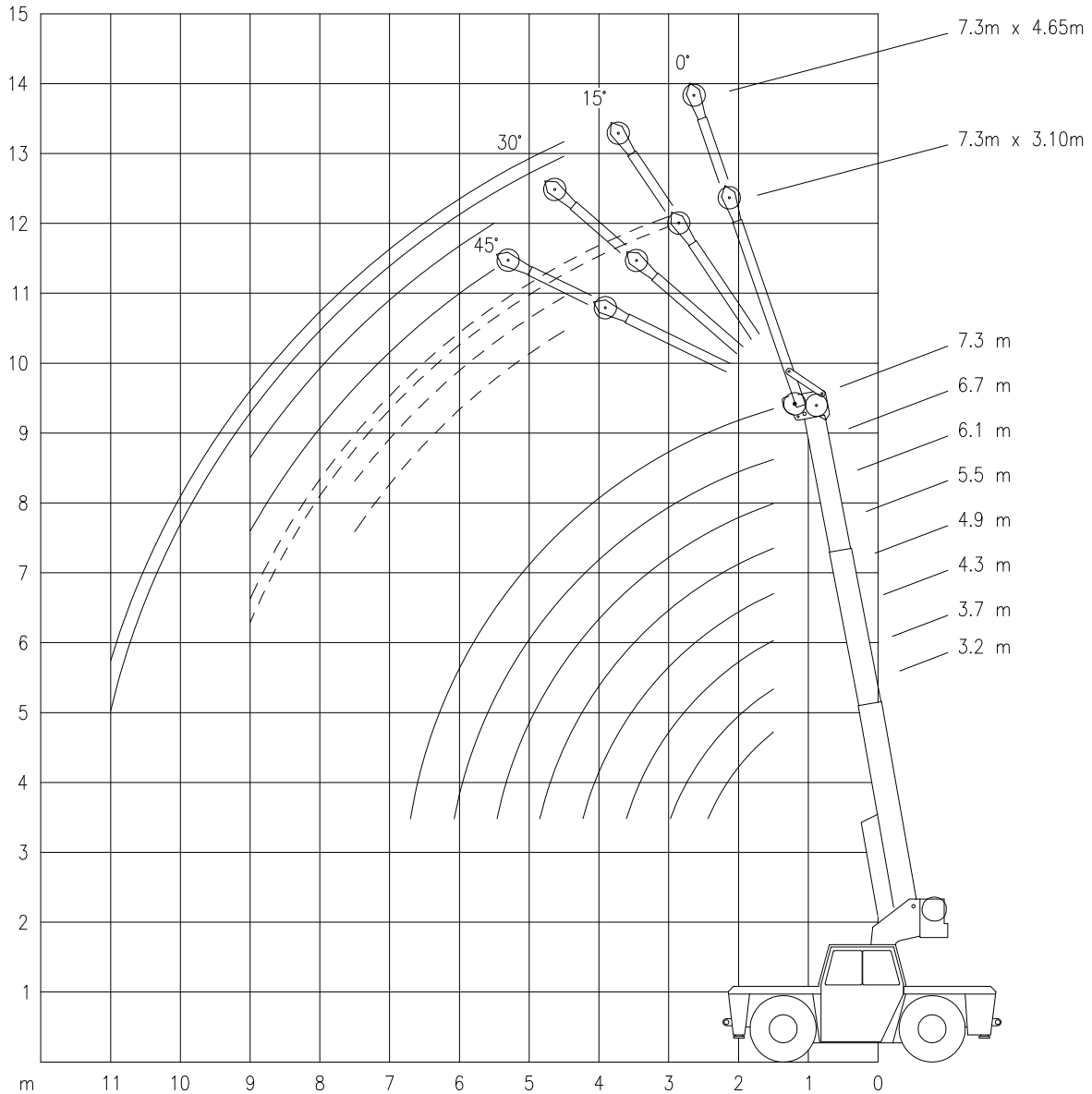
Working ranges
Portées

8 TON

Arbeitsbereiche
Werkbereich

T + TK

1/100



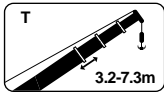


GROVE AP 308

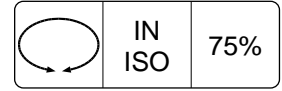
8 TON

Lifting capacities
Capacités

Tragfähigkeiten
Capaciteiten

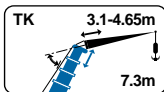


T

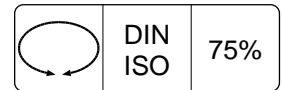


Radius	0° !*	360°
m	t	t
1.5	8.000	8.000
1.8	6.870	6.870
2.0	6.490	6.490
2.5	5.500	5.500
3.0	4.815	4.815
3.5	4.215	4.215
4.0	3.745	3.395
4.5	3.360	2.760
5.0	3.015	2.310
6.0	2.325	1.725
6.7	1.920	1.455

Radius	0° !*	360°	0° !* (Max 4km/h)
m	t	t	t
1.2	7.710	6.920	7.000
1.5	7.710	4.895	6.275
1.8	6.800	4.260	5.710
2.0	6.350	3.955	6.300
2.5	5.500	2.710	4.460
3.0	3.910	2.025	3.835
3.5	2.925	1.695	2.925
4.0	2.315	1.295	2.315
4.5	1.900	1.075	1.900
5.0	1.595	0.910	1.595
5.5	1.365	0.775	1.365
6.0	1.185	0.670	1.185
6.7	0.990	0.550	0.990

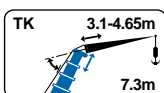


TK

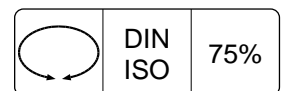


m	T = 7.3 m K = 3.1 m			
	0° !*		360°	
	0°-15°	30°-45°	0°-15°	30°-45°
t	t	t	t	t
3.0	2.730	-	2.730	-
3.5	2.550	-	2.550	-
4.0	2.360	-	2.360	-
4.5	2.170	1.980	2.075	1.980
5.0	2.000	1.870	1.755	1.755
5.5	1.870	1.760	1.500	1.500
6.0	1.780	1.650	1.305	1.305
6.5	1.650	1.550	1.145	1.145
7.0	1.540	1.470	1.015	1.015
7.5	1.370	1.370	0.905	0.905
8.0	1.230	-	0.815	-
8.5	1.110	-	0.735	-
9.0	1.010	-	0.665	-

m	T = 7.3 m K = 4.65 m			
	0° !*		360°	
	0°-15°	30°-45°	0°-15°	30°-45°
t	t	t	t	t
4.5	1.390	-	1.390	-
5.0	1.320	-	1.320	-
5.5	1.260	1.170	1.260	1.170
6.0	1.200	1.150	1.200	1.150
6.5	1.180	1.140	1.180	1.140
7.0	1.140	1.120	1.065	1.065
7.5	1.160	1.100	0.955	0.955
8.0	1.120	1.080	0.860	0.860
8.5	1.090	1.020	0.780	0.780
9.0	1.010	0.960	0.710	0.710
9.5	0.970	-	0.650	-
10.0	0.900	-	0.595	-
10.5	0.825	-	0.550	-
11.0	0.765	-	0.510	-



TK



m	T = 7.3 m K = 3.1 m			
	0° !*		360°	
	0°-15°	30°-45°	0°-15°	30°-45°
t	t	t	t	t
3.0	2.730	-	2.730	-
3.5	2.550	-	2.550	-
4.0	2.360	-	2.360	-
4.5	2.170	1.980	2.075	1.980
5.0	2.000	1.870	1.755	1.755
5.5	1.870	1.760	1.500	1.500
6.0	1.780	1.650	1.305	1.305
6.5	1.650	1.550	1.145	1.145
7.0	1.540	1.470	1.015	1.015
7.5	1.370	1.370	0.905	0.905
8.0	1.230	-	0.815	-
8.5	1.110	-	0.735	-
9.0	1.010	-	0.665	-

m	T = 7.3 m K = 4.65 m			
	0° !*		360°	
	0°-15°	30°-45°	0°-15°	30°-45°
t	t	t	t	t
4.5	1.390	-	1.390	-
5.0	1.320	-	1.320	-
5.5	1.260	1.170	1.260	1.170
6.0	1.200	1.150	1.200	1.150
6.5	1.180	1.140	1.180	1.140
7.0	1.140	1.120	1.065	1.065
7.5	1.160	1.100	0.955	0.955
8.0	1.120	1.080	0.860	0.860
8.5	1.090	1.020	0.780	0.780
9.0	1.010	0.960	0.710	0.710
9.5	0.970	-	0.650	-
10.0	0.900	-	0.595	-
10.5	0.825	-	0.550	-
11.0	0.765	-	0.510	-

!* Over front / Sur l'avant / Nach vorn / Over voorzijde.



GROVE AP 308

8 TON

Working speeds
Vitesses de travail

Arbeitsgeschwindigkeiten
Werksnelheden

Mechanisms Mécanismes Antriebe Aandrijvingen	Speeds Vitesses Geschwindigkeiten Snelheden	Rope diameter Diamètre du câble Seildurchmesser Kabeldiameter	Single line pull Effort sur brin simple Zulässiger Seilzug je strang Toegelaten trekkracht / part	Length of ropes Longueur des cables Länge der Seile Kabellengte
Main hoist Levage sur flèche Hubwerk 1 Hijlslier 1	Max. 44 m/min	14 mm	43 kN	39.6 m
Slewing gear Orientation Drehwerk Zwenkwerk	0 – 1.5 RPM			
Travel speed Vitesse sur route Fahrgeschwindigkeit Rijsnelheid	0 – 46.7 km/h			

Hook block/Crane hook
Crochet-mouflé/Crochet simple



Unterflasche/Hakengehänge
Kraanblok/Kraanhaak

Capacity / Capacité Tragfähigkeit / Capaciteit	Number of sheaves / Nombre de poulies Anzahl der Rollen / Aantal schijven	Number of lines / Nombre de brins Strangzahl / Aantal parten	Weight / Poids Gewicht / Gewicht	"B"
SWL 8 t	2	5	142 kg	1.5 m
SWL 8 t	1	3	138 kg	1.5 m