

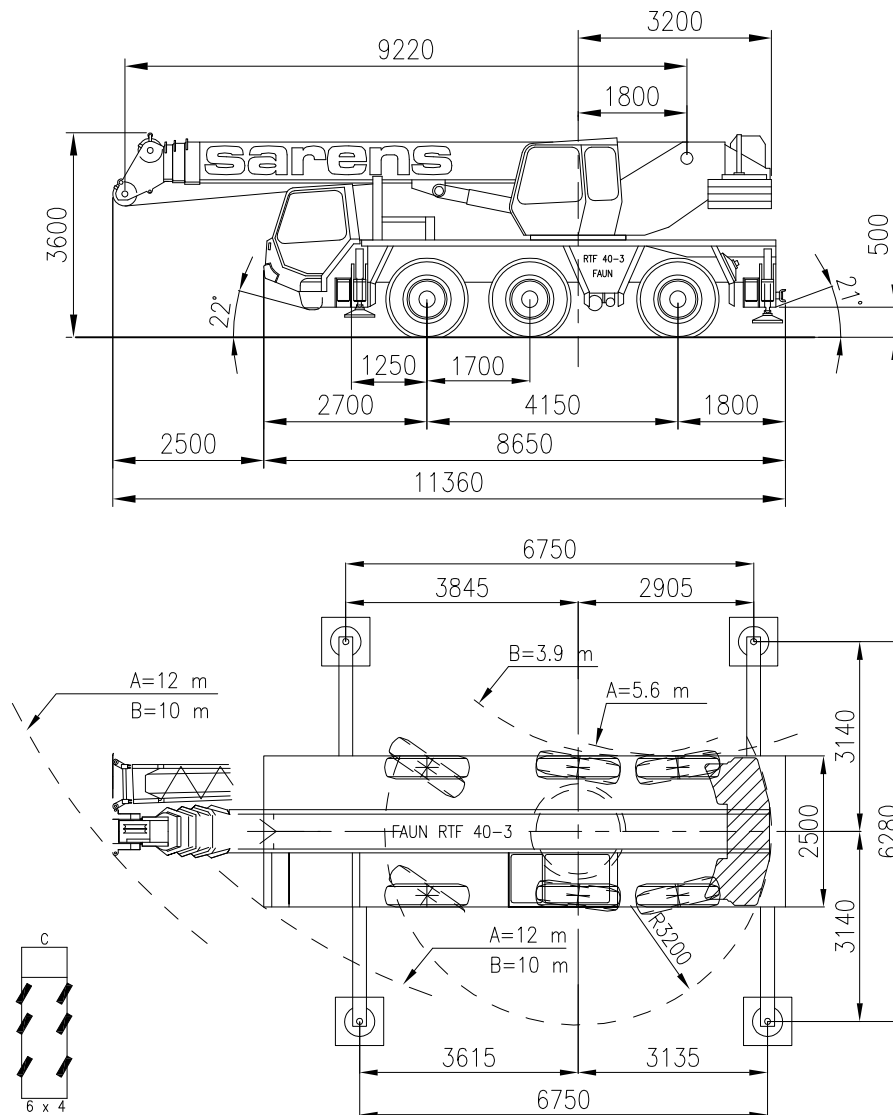


sarens
group

www.sarens.com

FAUN RTF 40-3

40 TON



Axle load / Charge par essieu / Achslast / Aslast
 Total weight / Poids total / Gesamtgewicht / Totaal gewicht
 Tyres / Pneus / Bereifung / Banden

: 3 x 12 t (☐ 7.5 t)
 : 36 t (☐ 7.5 t)
 : 16.00 R 25

nothing too heavy, nothing too high





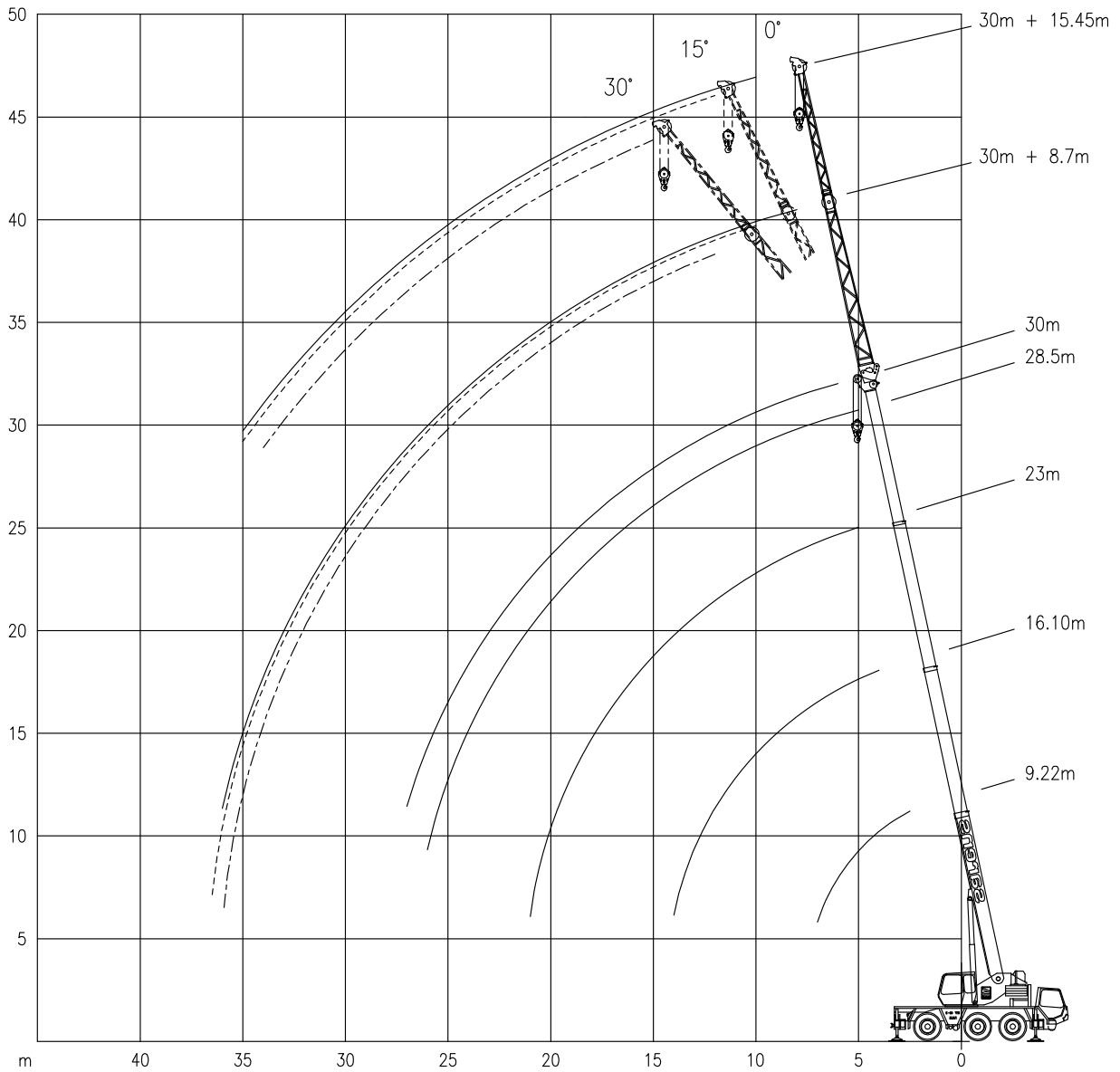
FAUN RTF 40-3

Working ranges
Portées

40 TON

Arbeitsbereiche
Werkbereich

T + TK



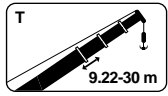


FAUN RTF 40-3

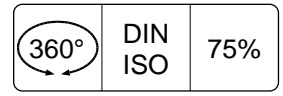
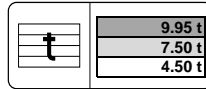
40 TON

Lifting capacities
Capacités

Tragfähigkeiten
Capaciteiten

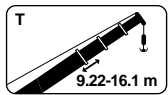


T

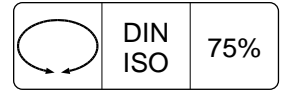


m	9.22 m	16.10 m	23.00 m	28.50 m	30.00 m
	t	t	t	t	t
2.5	40.0	-	-	-	-
3.0	35.0	-	-	-	-
3.5	31.7	-	-	-	-
4.0	29.0	22.0	-	-	-
4.5	26.5	22.0	-	-	-
5.0	23.8	22.0	15.0	11.0	-
6.0	19.6	19.3	15.0	11.0	10.0
7.0	16.6	16.2	14.0	11.0	10.0
8.0	-	14.0	12.6	10.5	9.7
9.0	-	12.2	10.9	10.0	9.3
10.0	-	10.7	9.8	9.1	8.7
11.0	-	9.5	8.7	8.3	8.0
12.0	-	8.5	7.9	7.6	7.4
13.0	-	7.7	7.2	7.0	6.8
14.0	-	7.0	6.6	6.4	6.3
15.0	-	-	6.0	5.9	5.8
16.0	-	-	5.5	5.4	5.5
17.0	-	-	4.9	5.0	5.1
18.0	-	-	4.4	4.7	4.7
19.0	-	-	3.9	4.3	4.3
20.0	-	-	3.5	3.9	4.0
21.0	-	-	3.2	3.6	3.7
22.0	-	-	-	3.2	3.3
23.0	-	-	-	2.9	3.0
24.0	-	-	-	2.6	2.8
25.0	-	-	-	2.4	2.5
26.0	-	-	-	2.2	2.3
27.0	-	-	-	-	2.1

t	9.22 m	16.10 m	23.00 m	28.50 m	30.00 m
	t	t	t	t	t
40.0	-	-	-	-	-
35.0	-	-	-	-	-
31.5	-	-	-	-	-
28.8	22.0	-	-	-	-
26.0	22.0	-	-	-	-
23.4	22.0	15.0	11.0	-	-
19.2	18.9	15.0	11.0	10.0	10.0
15.5	15.6	14.0	11.0	10.0	10.0
-	12.3	12.1	10.5	9.7	9.7
-	10.1	9.8	10.0	9.3	9.3
-	8.4	8.2	8.6	8.7	8.7
-	7.1	6.9	7.4	7.5	7.5
-	6.2	6.0	6.4	6.5	6.5
-	5.4	5.2	5.6	5.7	5.7
-	4.7	4.5	4.9	5.0	5.0
-	-	3.9	4.3	4.4	4.4
-	-	-	3.4	3.8	3.9
-	-	3.0	3.4	3.5	3.5
-	-	2.6	3.0	3.1	3.1
-	-	2.3	2.7	2.8	2.8
-	-	2.0	2.4	2.5	2.5
-	-	1.7	2.1	2.3	2.3
-	-	-	1.9	2.0	2.0
-	-	-	1.7	1.8	1.8
-	-	-	1.5	1.6	1.6
-	-	-	1.3	1.4	1.4
-	-	-	1.2	1.3	1.3
-	-	-	-	1.1	1.1



T



m	9.22 m !*	16.1 m !*
	0°	0°
2.5	15.1	-
3.0	15.1	-
3.5	13.4	-
4.0	12.0	12.0
4.5	10.8	10.8
5.0	9.8	9.8
6.0	8.1	8.2
7.0	7.0	7.0
8.0	-	6.0
9.0	-	5.2
10.0	-	4.6
11.0	-	4.0
12.0	-	3.6
13.0	-	3.1
14.0	-	2.7

t	9.22 m !*	9.22 m	16.1 m !*	16.1 m
	0°	360°	0°	360°
14.6	10.0	-	-	-
14.6	9.2	-	-	-
13.0	7.8	-	-	-
11.6	6.8	-	11.5	6.9
10.4	5.9	-	10.5	6.0
9.4	5.2	-	9.5	5.3
7.9	4.1	-	8.0	4.2
6.7	3.2	-	6.8	3.3
-	-	-	5.8	2.7
-	-	-	4.9	2.2
-	-	-	4.0	1.7
-	-	-	3.3	1.3
-	-	-	2.7	0.9
-	-	-	2.3	0.6
-	-	-	1.9	0.4

!* Over rear / En arrière / Nach hinten / Over achterzijde.

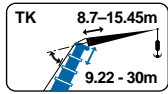


FAUN RTF 40-3

Lifting capacities
Capacités

40 TON

Tragfähigkeiten
Capaciteiten



TK



9.95 t
7.50 t
4.50 t



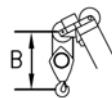
DIN
ISO

75%

m	9.22 m → 30.0 m					
	8.7 m			15.45 m		
	0°	15°	30°	0°	15°	30°
8.0	4.70	-	-	-	-	-
9.0	4.57	-	-	-	-	-
10.0	4.41	3.42	-	2.60	-	-
11.0	4.27	3.31	-	2.60	-	-
12.0	4.14	3.20	2.58	2.59	1.84	-
13.0	4.00	3.11	2.52	2.46	1.80	-
14.0	3.87	3.02	2.46	2.26	1.75	-
15.0	3.73	2.93	2.41	2.12	1.68	1.42
16.0	3.59	2.85	2.36	2.01	1.61	1.38
17.0	3.45	2.77	2.31	1.95	1.54	1.32
18.0	3.32	2.69	2.27	1.89	1.47	1.26
19.0	3.17	2.62	2.22	1.84	1.43	1.20
20.0	2.97	2.55	2.16	1.80	1.39	1.14
21.0	2.83	2.47	2.10	1.73	1.35	1.10
22.0	2.69	2.39	2.05	1.67	1.31	1.07
23.0	2.55	2.31	2.01	1.60	1.26	1.04
24.0	2.41	2.23	1.97	1.53	1.22	1.02
25.0	2.31	2.15	1.93	1.47	1.18	0.99
26.0	2.21	2.05	1.89	1.41	1.14	0.96
27.0	2.11	1.97	1.86	1.36	1.11	0.93
28.0	2.01	1.90	1.83	1.32	1.08	0.91
29.0	1.80	1.83	1.77	1.27	1.05	0.89
30.0	1.65	1.77	1.72	1.23	1.03	0.88
31.0	1.50	1.60	1.65	1.18	1.00	0.86
32.0	1.35	1.45	1.45	1.14	0.97	0.84
33.0	1.25	1.30	1.30	1.09	0.94	0.82
34.0	1.10	1.15	1.15	1.05	0.91	0.81
35.0	1.00	1.05	1.00	1.00	0.88	0.79
36.0	0.90	0.95	-	0.96	0.86	0.78
37.0	-	-	-	0.91	0.83	0.76
38.0	-	-	-	0.85	0.80	0.74
39.0	-	-	-	0.75	0.77	0.72
40.0	-	-	-	0.65	0.74	0.70
41.0	-	-	-	0.55	0.65	0.65
42.0	-	-	-	0.45	0.55	0.50
43.0	-	-	-	0.35	0.40	-

m	9.22 m → 30.0 m					
	8.7 m			15.45 m		
	0°	15°	30°	0°	15°	30°
4.70	-	-	-	-	-	-
4.57	-	-	-	-	-	-
4.41	3.42	-	-	2.60	-	-
4.27	3.31	-	-	2.60	-	-
4.14	3.20	2.58	-	2.59	1.84	-
4.00	3.11	2.52	-	2.46	1.80	-
3.87	3.02	2.46	-	2.26	1.75	-
3.73	2.93	2.41	-	2.12	1.68	1.42
3.59	2.85	2.36	-	2.01	1.61	1.38
3.45	2.77	2.31	-	1.95	1.54	1.32
3.20	2.69	2.27	-	1.89	1.47	1.26
2.85	2.62	2.22	-	1.84	1.43	1.20
2.60	2.55	2.16	-	1.80	1.39	1.14
2.35	2.47	2.10	-	1.73	1.35	1.10
2.10	2.20	2.05	-	1.67	1.31	1.07
1.90	2.00	2.01	-	1.60	1.26	1.04
1.70	1.80	1.90	-	1.53	1.22	1.02
1.50	1.60	1.75	-	1.47	1.18	0.99
1.35	1.45	1.55	-	1.41	1.14	0.96
1.20	1.30	1.40	-	1.35	1.11	0.93
1.05	1.15	1.25	-	1.20	1.08	0.91
0.90	1.00	1.10	-	1.05	1.05	0.89
0.80	0.90	0.95	-	0.95	1.03	0.88
0.70	0.80	0.80	-	0.85	1.00	0.86
0.60	0.65	0.65	-	0.75	0.90	0.84
0.50	0.55	0.55	-	0.60	0.75	0.82
0.40	0.45	0.45	-	0.50	0.65	0.75
0.30	0.35	0.35	-	0.40	0.55	0.65
-	-	-	-	0.30	0.45	0.55
-	-	-	-	-	0.35	0.45
-	-	-	-	-	-	0.35
-	-	-	-	-	-	-
-	-	-	-	-	-	-

Hook Block / Crane hook Crochet mouflé / Crochet simple



Unterflasche / Hakengehänge Kraanblok / Kraanhaak

Capacity Capacité Tragfähigkeit Capaciteit	Number of sheaves Nombre de poulies Anzahl der Rollen Aantal schijven	Number of lines Nombre de brins Strangzahl Aantal parten	Weight Poids Gewicht Gewicht	"B"
SWL 32 t	3	7	350 kg	2.6 m
SWL 4 t	-	1	75 kg	1.9 m