

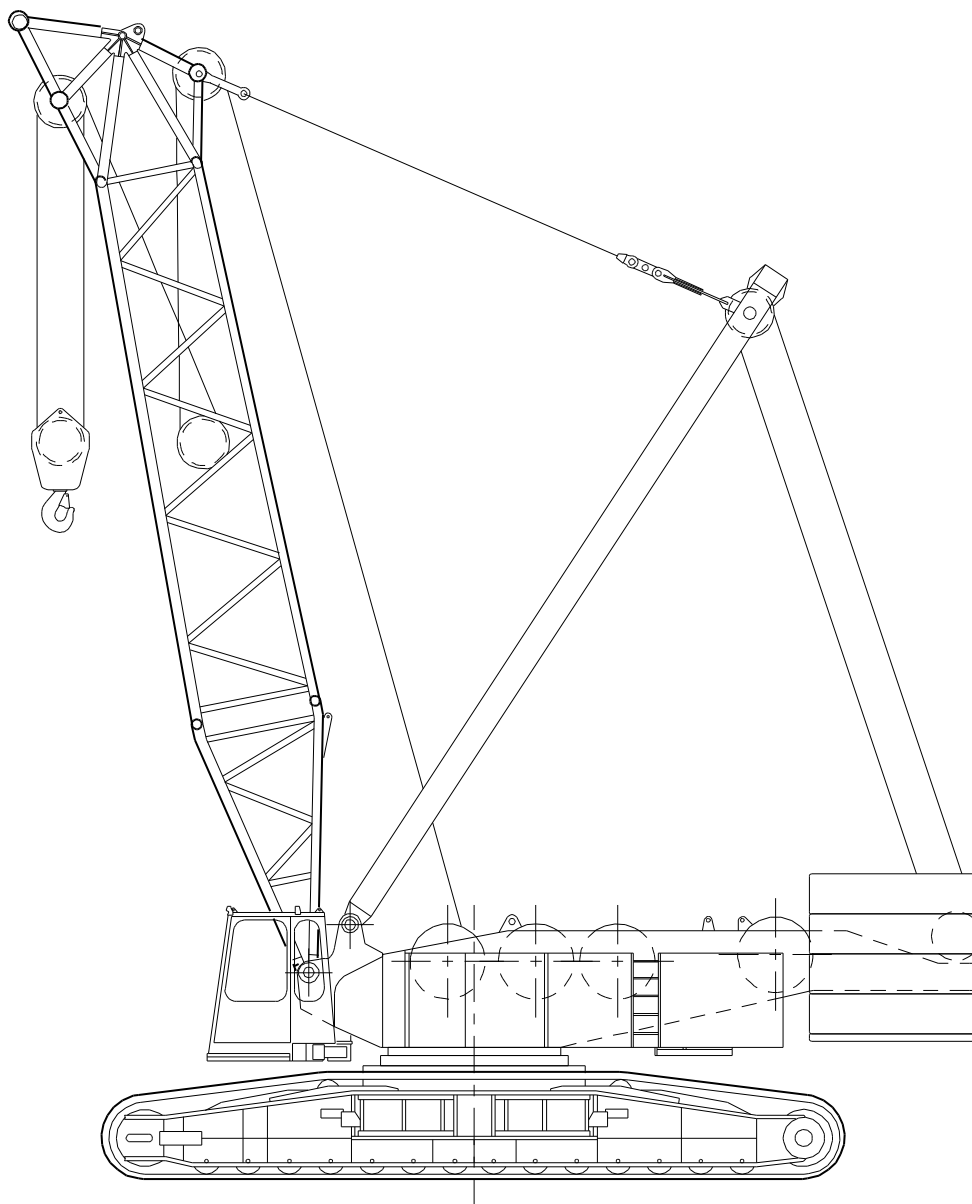


sarens
group

www.sarens.com

TEREX CC 1100

250 TON



nothing too heavy, nothing too high



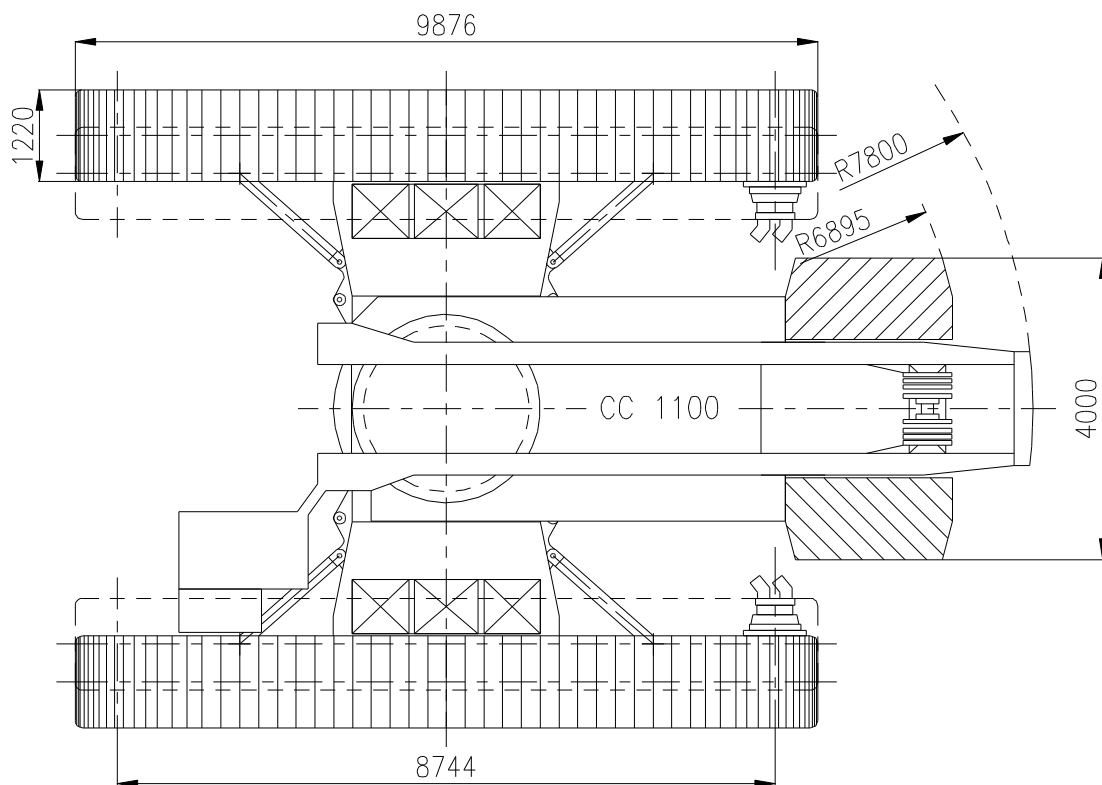
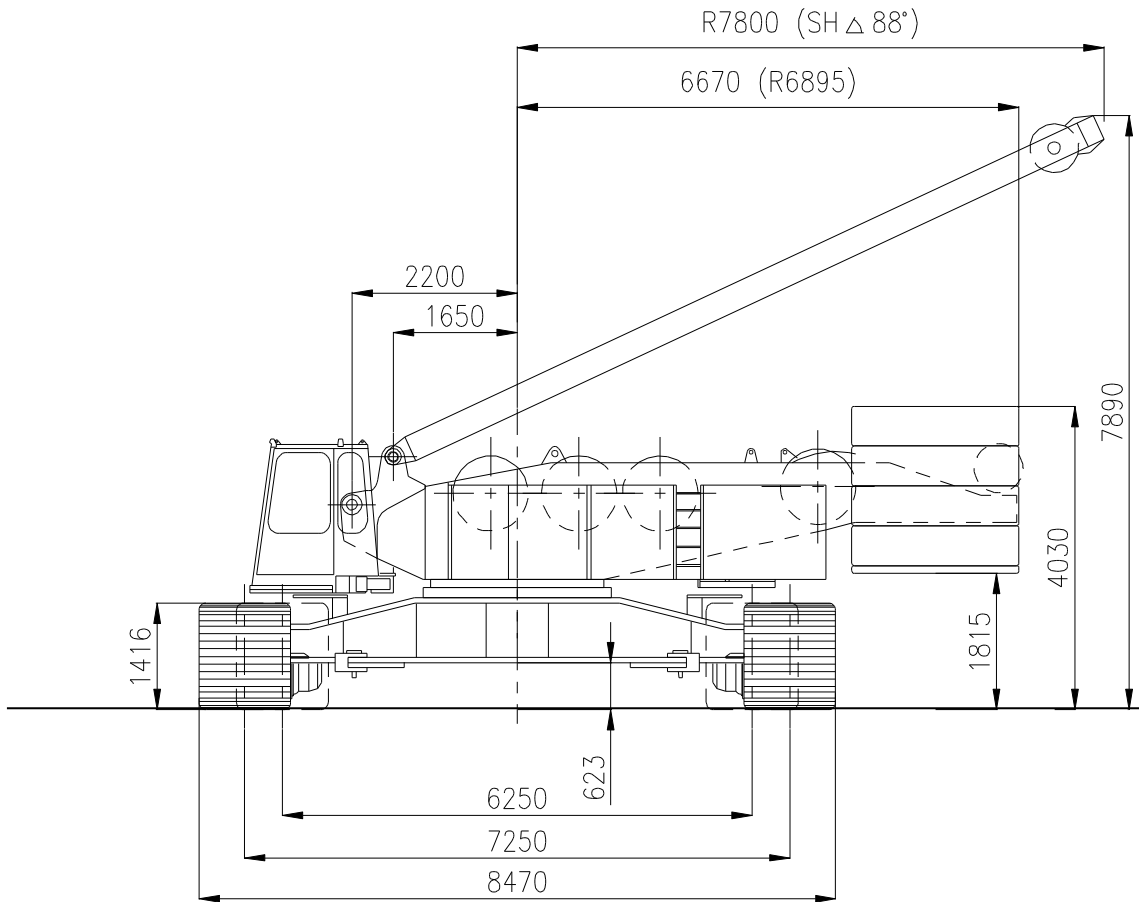


TEREX CC 1100

Dimensions
Dimensions

250 TON

Abmessungen
Afmetingen





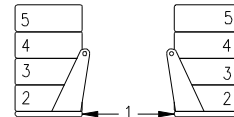
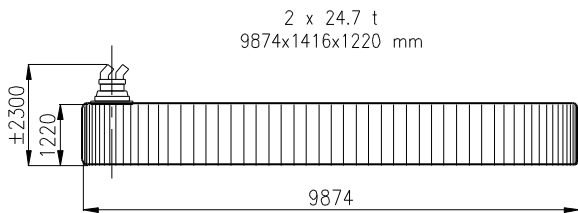
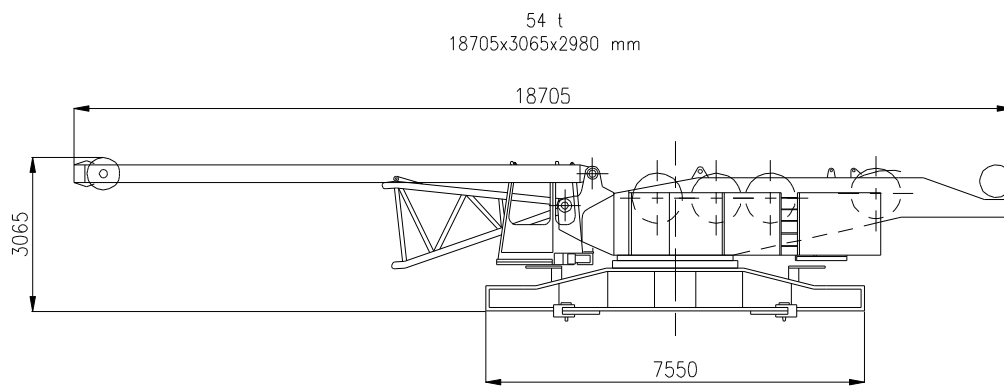
TEREX CC 1100

Weight
Poids

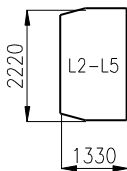
250 TON

Gewicht
Gewicht

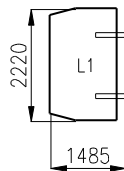
Superstructure with carbody Partie supérieure avec carter central Oberwagen mit Mittelstück Bovenwagen met centraal onderstelgedeelte	54 t
Crawler unit Bâti de chenille Raupen Rupsen	2 x 24.7 t
Counterweight Contrepoids Gegengewicht Tegengewicht	80 t



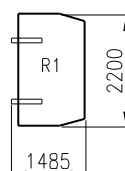
4 x 9,4 t
1330x2220x550 mm



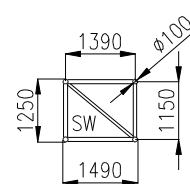
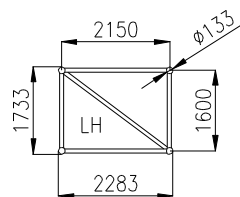
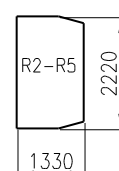
1 x 2,7 t
1485x2220x1350 mm



1 x 2,7 t
1485x2220x1350 mm



4 x 9,4 t
1330x2220x550 mm





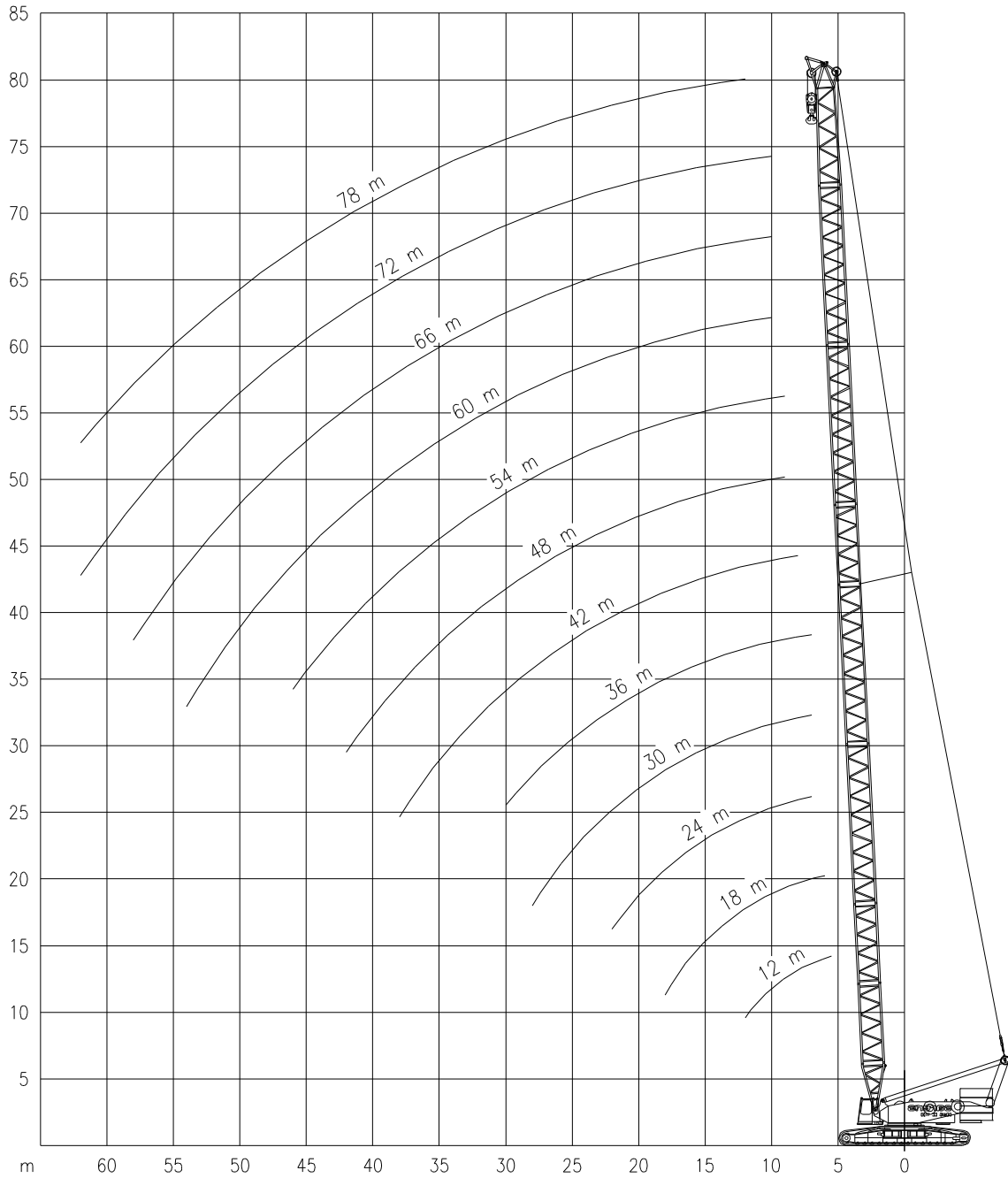
TEREX CC 1100

Working ranges
Portées

250 TON

Arbeitsbereiche
Werkbereich

LH



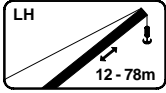


TEREX CC 1100

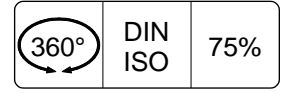
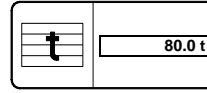
250 TON

Lifting capacities
Capacités

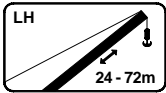
Tragfähigkeiten
Capaciteiten



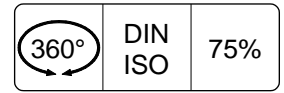
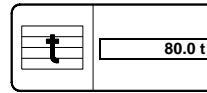
LH



m	12m	18m	24m	30m	36m	42m	48m	54m	60m	66m	72m	78m
	t	t	t	t	t	t	t	t	t	t	t	t
5.5	250.0**	-	-	-	-	-	-	-	-	-	-	-
6.0	200.0*	200.0*	-	-	-	-	-	-	-	-	-	-
7.0	190.0*	189.0*	188.0*	187.0*	163.0*	-	-	-	-	-	-	-
8.0	167.0*	166.0*	165.0*	164.0*	161.0*	144.0*	-	-	-	-	-	-
9.0	137.0*	136.0*	135.0*	133.0*	132.0*	130.0*	121.0	103.0	-	-	-	-
10.0	115.0	114.0	113.0	111.0	110.0	109.0	107.0	102.0	85.0	72.0	59.0	-
12.0	87.0	86.0	85.0	83.0	82.0	81.0	80.0	78.0	77.0	71.0	59.0	50.0
14.0	-	68.0	67.0	66.0	65.0	64.0	63.0	62.0	60.0	59.0	58.0	50.0
16.0	-	57.0	56.0	55.0	54.0	53.0	51.0	51.0	49.0	48.0	47.0	46.0
18.0	-	48.0	47.0	46.0	45.0	44.0	43.0	42.0	41.0	40.0	39.0	38.0
20.0	-	-	41.0	40.0	39.0	38.0	37.0	36.0	35.0	34.0	33.0	32.0
22.0	-	-	36.0	35.0	34.0	33.0	32.0	32.0	30.0	30.0	29.0	28.0
24.0	-	-	-	31.0	30.0	29.0	28.0	28.0	27.0	26.0	25.0	24.0
26.0	-	-	-	28.0	27.0	26.0	25.0	24.0	24.0	23.0	22.0	21.0
28.0	-	-	-	26.0	24.0	24.0	23.0	22.0	21.0	20.0	20.0	19.0
30.0	-	-	-	-	22.0	21.0	20.0	20.0	19.0	18.0	17.0	17.0
34.0	-	-	-	-	-	18.0	17.0	16.0	15.0	15.0	14.0	13.0
38.0	-	-	-	-	-	15.0	14.0	14.0	13.0	12.0	11.0	11.0
42.0	-	-	-	-	-	-	12.0	12.0	11.0	10.0	9.9	9.8
46.0	-	-	-	-	-	-	-	10.0	9.5	8.8	8.2	7.6
50.0	-	-	-	-	-	-	-	-	8.0	7.3	6.8	6.1
54.0	-	-	-	-	-	-	-	-	6.8	6.0	5.4	4.8
58.0	-	-	-	-	-	-	-	-	-	5.5	4.3	3.6
62.0	-	-	-	-	-	-	-	-	-	-	3.3	2.6



LH



m	18m	24m	30m	36m	42m	48m	54m	60m	66m	72m
	t	t	t	t	t	t	t	t	t	t
6.0	200.0*	-	-	-	-	-	-	-	-	-
7.0	182.0*	181.0*	181.0*	163.0*	-	-	-	-	-	-
8.0	143.0*	143.0*	142.0*	142.0*	141.0*	-	-	-	-	-
9.0	118.0	118.0	117.0	117.0	116.0	115.0	103.0	-	-	-
10.0	100.0	100.0	99.0	99.0	98.0	97.0	97.0	85.0	72.0	59.0
12.0	77.0	76.0	75.0	75.0	74.0	73.0	73.0	72.0	71.0	59.0
14.0	62.0	61.0	60.0	60.0	59.0	58.0	58.0	57.0	57.0	57.0
16.0	51.0	50.0	50.0	50.0	49.0	48.0	48.0	47.0	47.0	46.0
18.0	44.0	43.0	43.0	42.0	41.0	40.0	40.0	39.0	39.0	39.0
20.0	-	38.0	37.0	36.0	36.0	35.0	34.0	34.0	33.0	33.0
22.0	-	33.0	32.0	31.0	31.0	30.0	30.0	29.0	29.0	28.0
24.0	-	-	29.0	28.0	28.0	26.0	26.0	25.0	25.0	25.0
26.0	-	-	26.0	25.0	25.0	23.0	23.0	22.0	22.0	22.0
28.0	-	-	23.0	22.0	22.0	21.0	20.0	20.0	19.0	19.0
30.0	-	-	-	20.0	20.0	19.0	18.0	18.0	17.0	17.0
34.0	-	-	-	-	16.0	15.0	15.0	14.0	14.0	13.0
38.0	-	-	-	-	14.0	13.0	12.0	11.0	11.0	10.0
42.0	-	-	-	-	-	11.0	10.0	9.5	9.0	8.0
46.0	-	-	-	-	-	-	8.5	8.0	7.0	6.5
50.0	-	-	-	-	-	-	-	6.5	5.5	5.0
54.0	-	-	-	-	-	-	-	5.0	4.5	4.0
58.0	-	-	-	-	-	-	-	-	3.5	3.0
62.0	-	-	-	-	-	-	-	-	-	2.0

*: 220 tons hook block required
 **: 250 tons hook block required



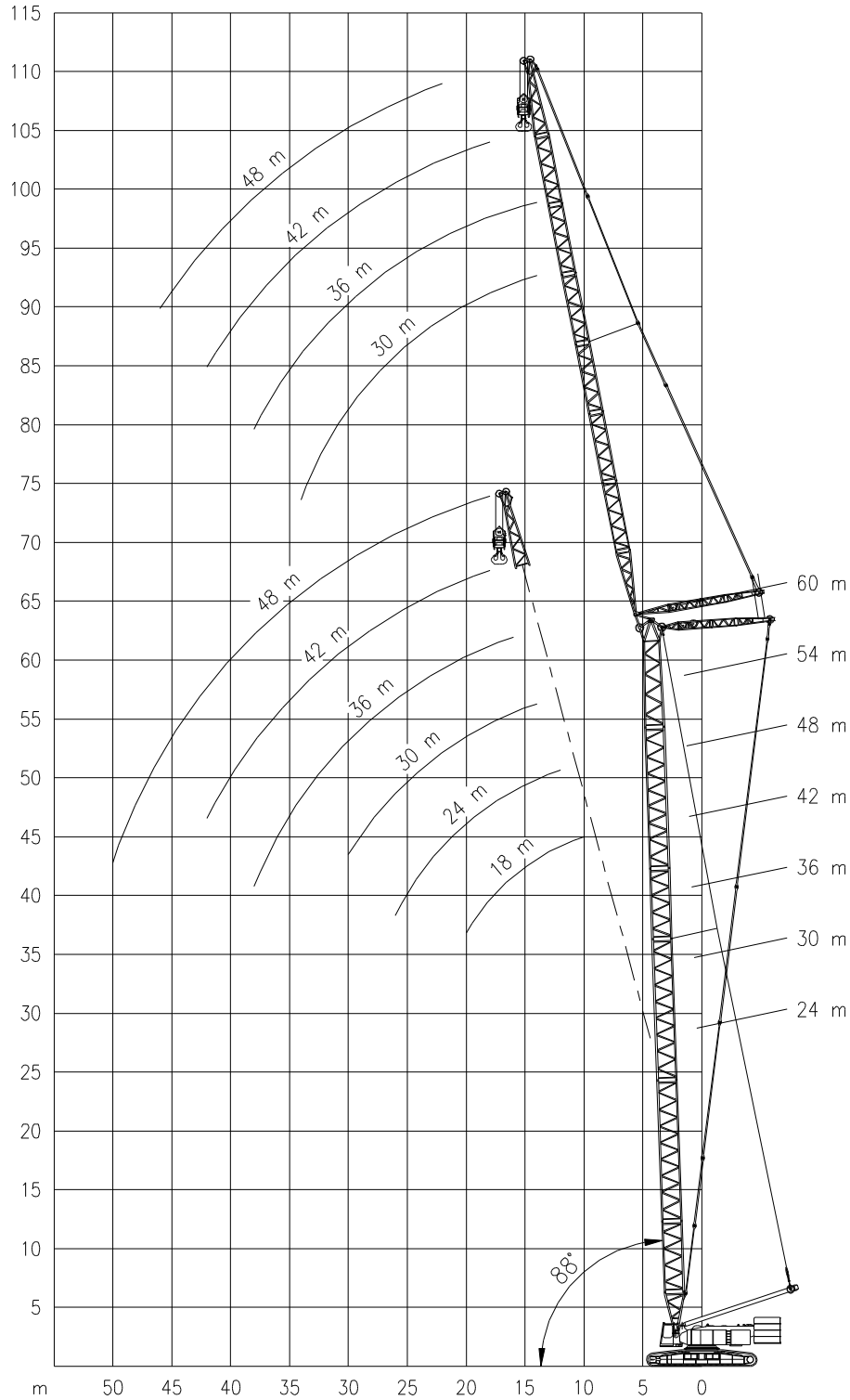
TEREX CC 1100

Working ranges
Portées

250 TON

Arbeitsbereiche
Werkbereich

SW



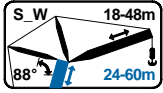


TEREX CC 1100

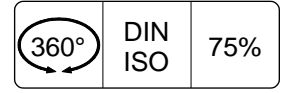
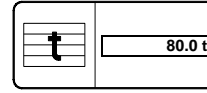
Lifting capacities
Capacités

250 TON

Tragfähigkeiten
Capacités



SW-88°



m	24 m						30 m					
	18m	24m	30m	36m	42m	48m	18m	24m	30m	36m	42m	48m
	t	t	t	t	t	t	t	t	t	t	t	t
10.0	75.0	-	-	-	-	-	73.0	-	-	-	-	-
12.0	68.0	62.0	-	-	-	-	69.0	62.0	-	-	-	-
14.0	63.0	58.0	54.0	-	-	-	64.0	58.0	55.0	-	-	-
16.0	59.0	54.0	50.0	45.0	-	-	60.0	54.0	51.0	46.0	-	-
18.0	52.0	51.0	47.0	43.0	37.0	30.0	51.0	51.0	48.0	44.0	37.0	-
20.0	45.0	45.0	44.0	41.0	36.0	29.0	45.0	45.0	44.0	42.0	36.0	28.0
22.0	-	39.0	39.0	39.0	35.0	29.0	-	39.0	39.0	39.0	36.0	28.0
24.0	-	35.0	35.0	35.0	33.0	28.5	-	35.0	35.0	34.0	34.0	28.0
26.0	-	32.0	32.0	31.0	31.0	28.0	-	32.0	31.0	31.0	31.0	28.0
28.0	-	-	29.0	28.0	28.0	27.4	-	-	28.0	28.0	28.0	27.2
30.0	-	-	26.0	26.0	26.0	25.1	-	-	26.0	26.0	25.0	24.0
34.0	-	-	-	22.0	22.0	21.3	-	-	-	22.0	22.0	21.0
38.0	-	-	-	19.7	19.2	18.4	-	-	-	19.5	19.1	18.2
42.0	-	-	-	-	16.9	16.1	-	-	-	-	16.7	15.9
46.0	-	-	-	-	-	14.3	-	-	-	-	-	14.0
50.0	-	-	-	-	-	12.9	-	-	-	-	-	-
	36 m						42 m					
12.0	62.0	60.0	-	-	-	-	-	-	-	-	-	-
14.0	60.0	59.0	51.0	-	-	-	-	59.0	48.0	-	-	-
16.0	58.0	55.0	49.0	44.0	-	-	-	56.0	47.0	40.0	32.0	-
18.0	51.0	51.0	47.0	43.0	34.0	-	-	50.0	46.0	40.0	32.0	-
20.0	45.0	44.0	44.0	42.0	34.0	26.0	-	44.0	43.0	40.0	32.0	24.0
22.0	39.0	39.0	39.0	38.0	33.0	26.0	-	39.0	38.0	38.0	31.0	24.0
24.0	-	35.0	34.0	34.0	32.0	26.0	-	35.0	34.0	34.0	30.5	24.0
26.0	-	32.0	31.0	31.0	30.0	26.0	-	31.0	31.0	31.0	30.0	24.0
28.0	-	-	28.0	28.0	28.0	26.0	-	29.0	28.0	28.0	27.0	24.0
30.0	-	-	26.0	26.0	25.0	24.6	-	-	26.0	25.0	25.0	23.0
34.0	-	-	-	22.0	21.0	20.8	-	-	-	22.0	21.0	20.6
38.0	-	-	-	19.3	18.9	18.0	-	-	-	19.1	18.7	17.8
42.0	-	-	-	-	16.5	15.7	-	-	-	-	16.4	15.5
46.0	-	-	-	-	-	13.9	-	-	-	-	-	13.5
50.0	-	-	-	-	-	-	-	-	-	-	-	12.0
	48 m						54 m					
14.0	-	53.0	-	-	-	-	-	45.0	-	-	-	-
16.0	-	50.0	43.0	35.0	-	-	-	43.0	38.0	-	-	-
18.0	-	47.0	41.0	35.0	29.0	-	-	42.0	37.0	32.0	27.0	-
20.0	-	43.0	39.0	35.0	29.0	23.0	-	40.0	35.0	31.0	27.0	21.0
22.0	-	38.0	37.0	33.0	29.0	23.0	-	38.5	33.0	30.0	26.0	21.0
24.0	-	34.0	34.0	31.0	28.0	23.0	-	34.5	32.0	28.0	25.0	21.0
26.0	-	31.0	31.0	29.0	26.0	23.0	-	31.2	30.8	27.0	24.0	21.0
28.0	-	28.0	28.0	27.0	25.0	22.0	-	-	28.0	25.0	23.0	20.3
30.0	-	-	25.0	25.0	23.0	21.0	-	-	25.0	23.5	22.0	19.0
34.0	-	-	22.0	21.0	20.5	19.5	-	-	-	21.0	19.5	18.0
38.0	-	-	-	18.9	18.3	17.2	-	-	-	18.7	17.7	16.1
42.0	-	-	-	-	16.2	15.2	-	-	-	-	16.1	14.6
46.0	-	-	-	-	-	13.2	-	-	-	-	-	12.9
50.0	-	-	-	-	-	11.8	-	-	-	-	-	11.5
	60 m											
14.0	-	-	32.0	28.0	-	-	-	-	-	-	-	-
16.0	-	-	32.0	28.0	-	-	-	-	-	-	-	-
18.0	-	-	32.0	28.0	24.0	-	-	-	-	-	-	-
20.0	-	-	32.0	28.0	24.0	-	-	-	-	-	-	-
22.0	-	-	30.3	27.0	24.0	19.0	-	-	-	-	-	-
24.0	-	-	28.8	25.7	23.0	19.0	-	-	-	-	-	-
26.0	-	-	27.5	24.6	22.0	19.0	-	-	-	-	-	-
28.0	-	-	25.6	23.2	21.0	18.6	-	-	-	-	-	-
30.0	-	-	24.0	22.0	20.0	17.8	-	-	-	-	-	-
34.0	-	-	20.5	20.0	18.5	16.4	-	-	-	-	-	-
38.0	-	-	-	18.5	17.1	15.1	-	-	-	-	-	-
42.0	-	-	-	-	15.9	14.0	-	-	-	-	-	-
46.0	-	-	-	-	-	12.5	-	-	-	-	-	-



TEREX CC 1100

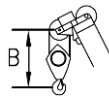
250 TON

Working speeds
Vitesses de travail

Arbeitsgeschwindigkeiten
Werksnelheden

Mechanisms Mécanismes Antriebe Aandrijvingen	Speeds Vitesses Geschwindigkeiten Snelheden	Rope diameter Diamètre du câble Seildurchmesser Kabeldiameter	Single line pull Effort sur brin simple Zulässiger Seilzug je strang Toegelaten trekkracht / part	Length of ropes Longueur des cables Länge der Seile Kabellänge
Main hoist Levage sur flèche Hubwerk 1 Hijslier 1	0 – 87 m/min	26 mm	100 kN	600 m
Auxiliary hoist Levage sur fléchette Hubwerk 2 Hijslier 2	0 – 87 m/min	26 mm	100 kN	600 m
Boom hoist Relevage de flèche Einziehwerk Toplier hoofdmast	2 x 25 m/min	26 mm		2 x 200 m
Luffing hoist Relevage de fléchette Wippwerk Toplier wipper	0 – 43 m/min	26 mm		600 m
Slewing gear Orientation Drehwerk Zwenkwerk	0 – 1.6 RPM			
Travel speed Vitesse sur route Fahrgeschwindigkeit Rijsnelheid	Low gear 0 – 0.7 km/h High gear 0 – 1.4 km/h			

Hook Block / Crane hook Crochet mouflé / Crochet simple



Unterflasche / Hakengehänge Kraanblok / Kraanhaak

Capacity Capacité Tragfähigkeit Capaciteit	Number of sheaves Nombre de poulies Anzahl der Rollen Aantal schijven	Number of lines Nombre de brins Strangzahl Aantal parten	Weight Poids Gewicht Gewicht	"B"
SWL 250 t	13	26	4150 kg	3.5 m
SWL 220 t	11	22	2600 kg	3.0 m
SWL 125 t	6	13	3040 kg	2.5 m
SWL 70 t	3	7	2020 kg	2.5 m
SWL 40 t	3	4	1760 kg	2.0 m
SWL 10 t	-	1	540 kg	1.5 m