

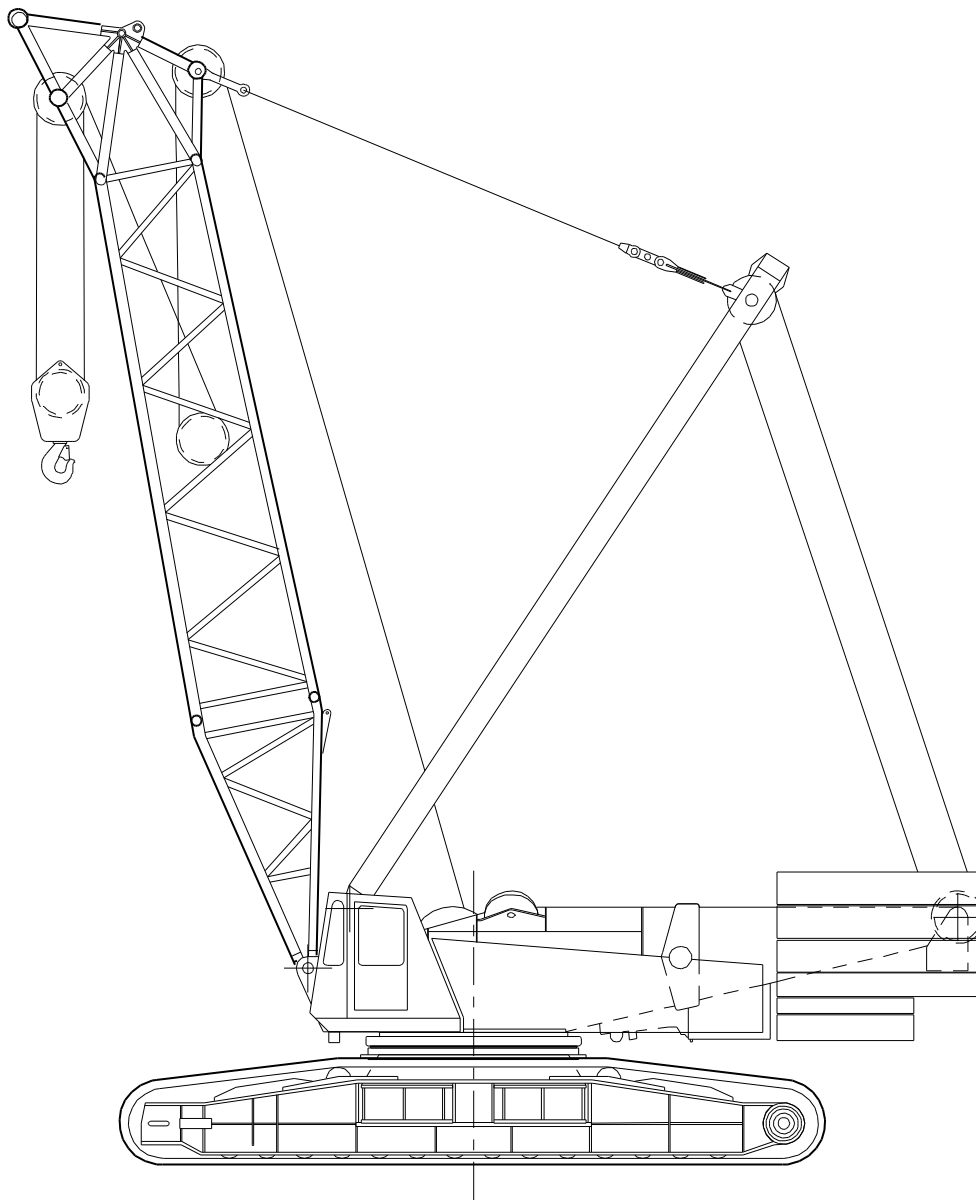


sarens
group

www.sarens.com

TEREX CC 1000

250 TON



nothing too heavy, nothing too high



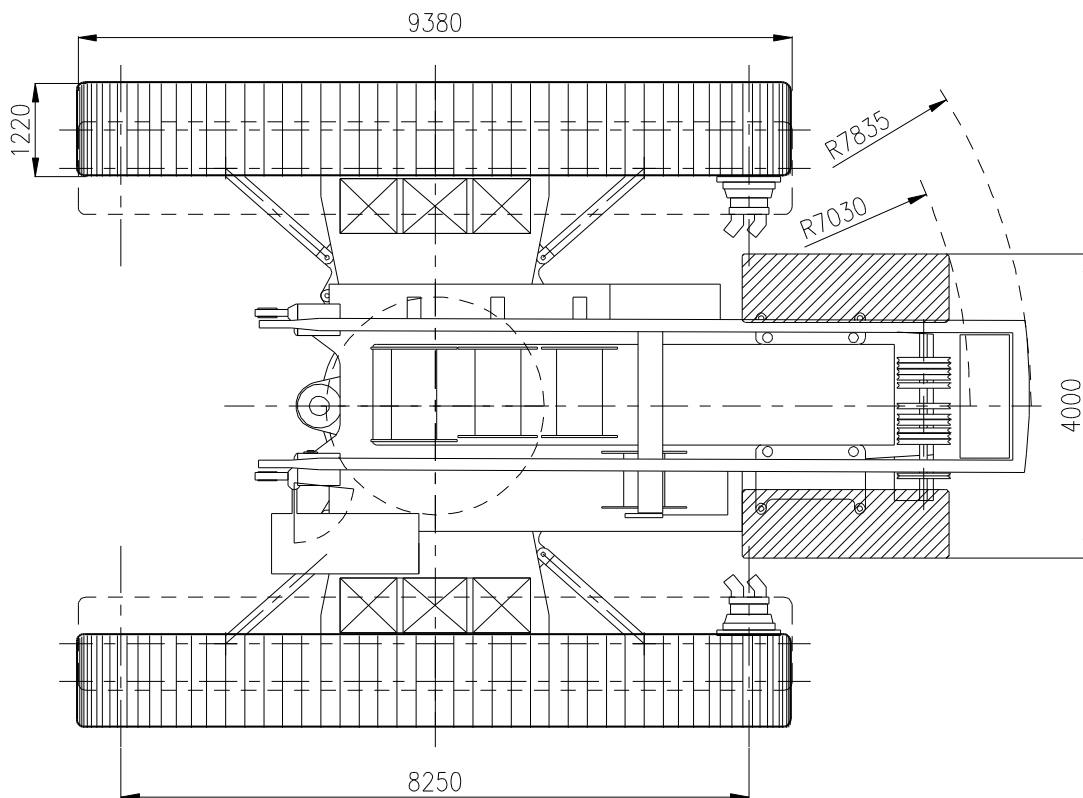
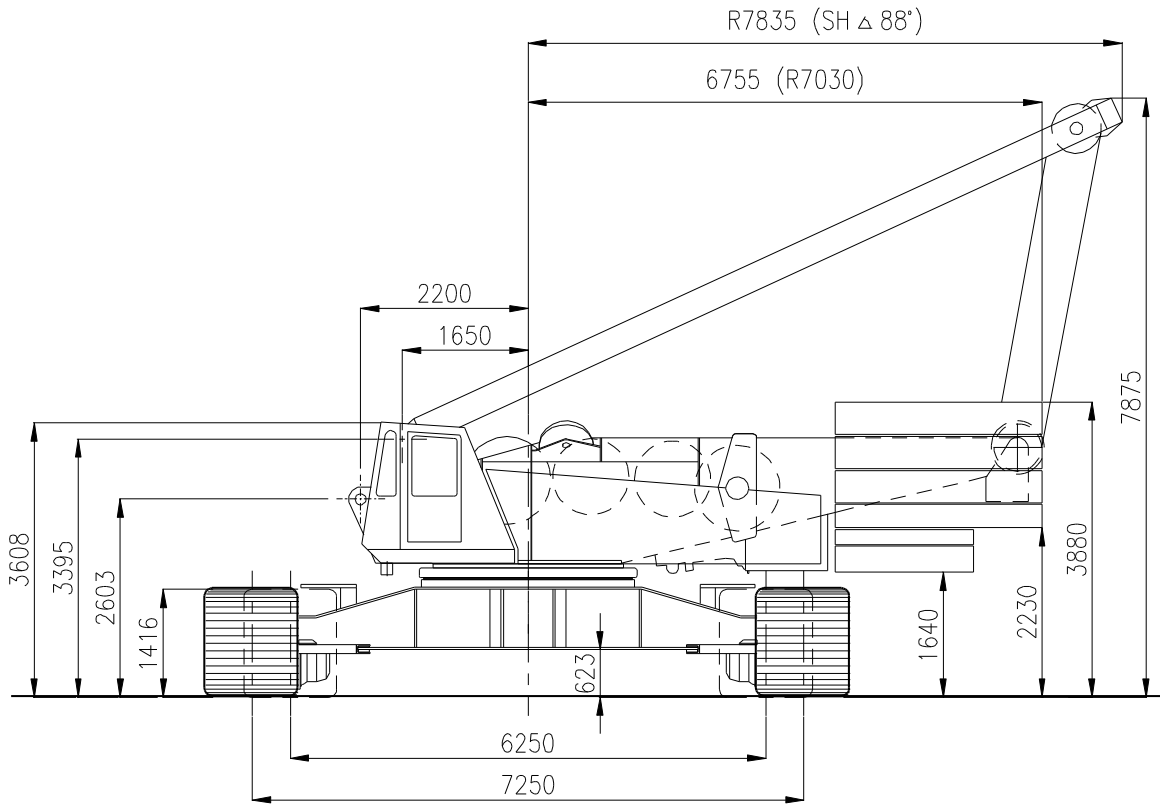


TEREX CC 1000

Dimensions
Dimensions

250 TON

Abmessungen
Afmetingen





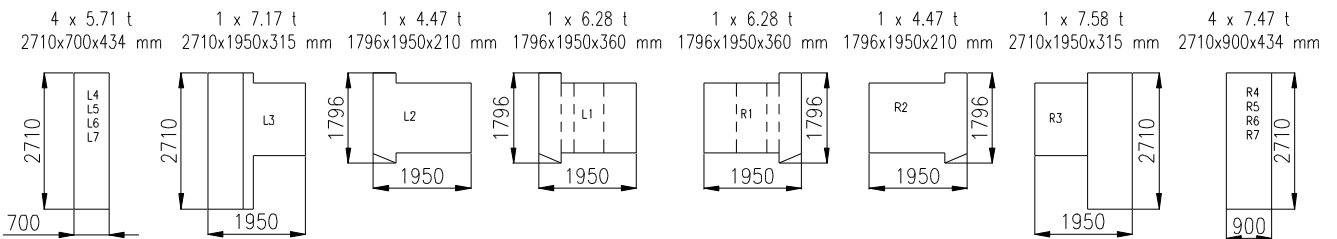
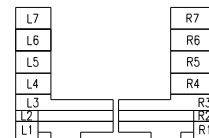
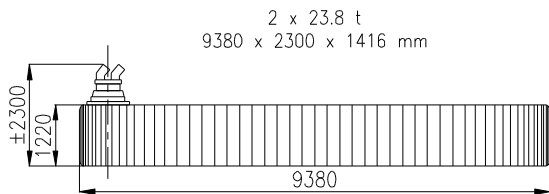
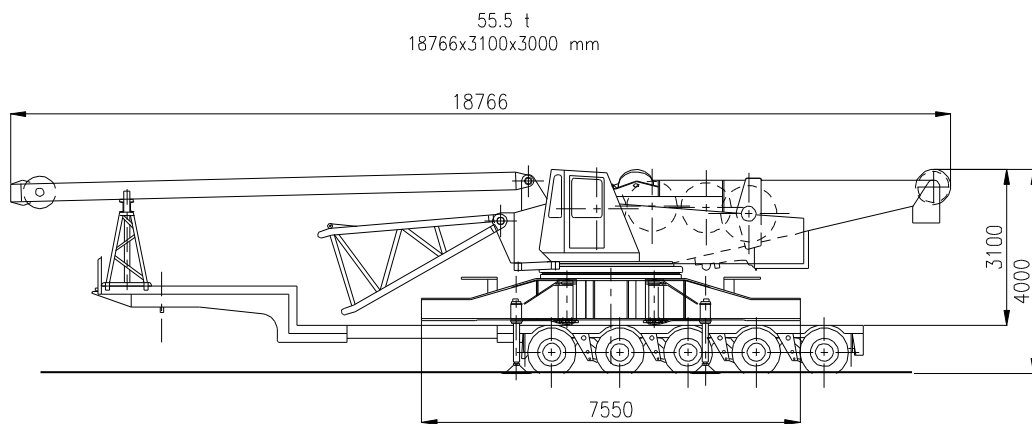
TEREX CC 1000

250 TON

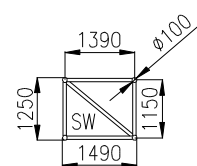
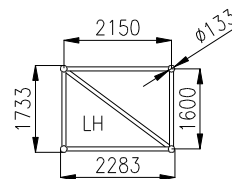
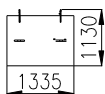
Weight
Poids

Gewicht
Gewicht

Superstructure with carbody Partie supérieure avec carter central Oberwagen mit Mittelstück Bovenwagen met centraal onderstelgedeelte	55.5 t
Crawler unit Bâti de chenille Raupen Rupsen	2 x 23.8 t
Counterweight + carbody counterweight Contrepoids + lest central Gegengewicht + Zentralballast Tegengewicht + Centraalballast	90 + 13.4 t



Carbody counterweight
2 x 6.7 t
1335 x 1130 x 640 mm





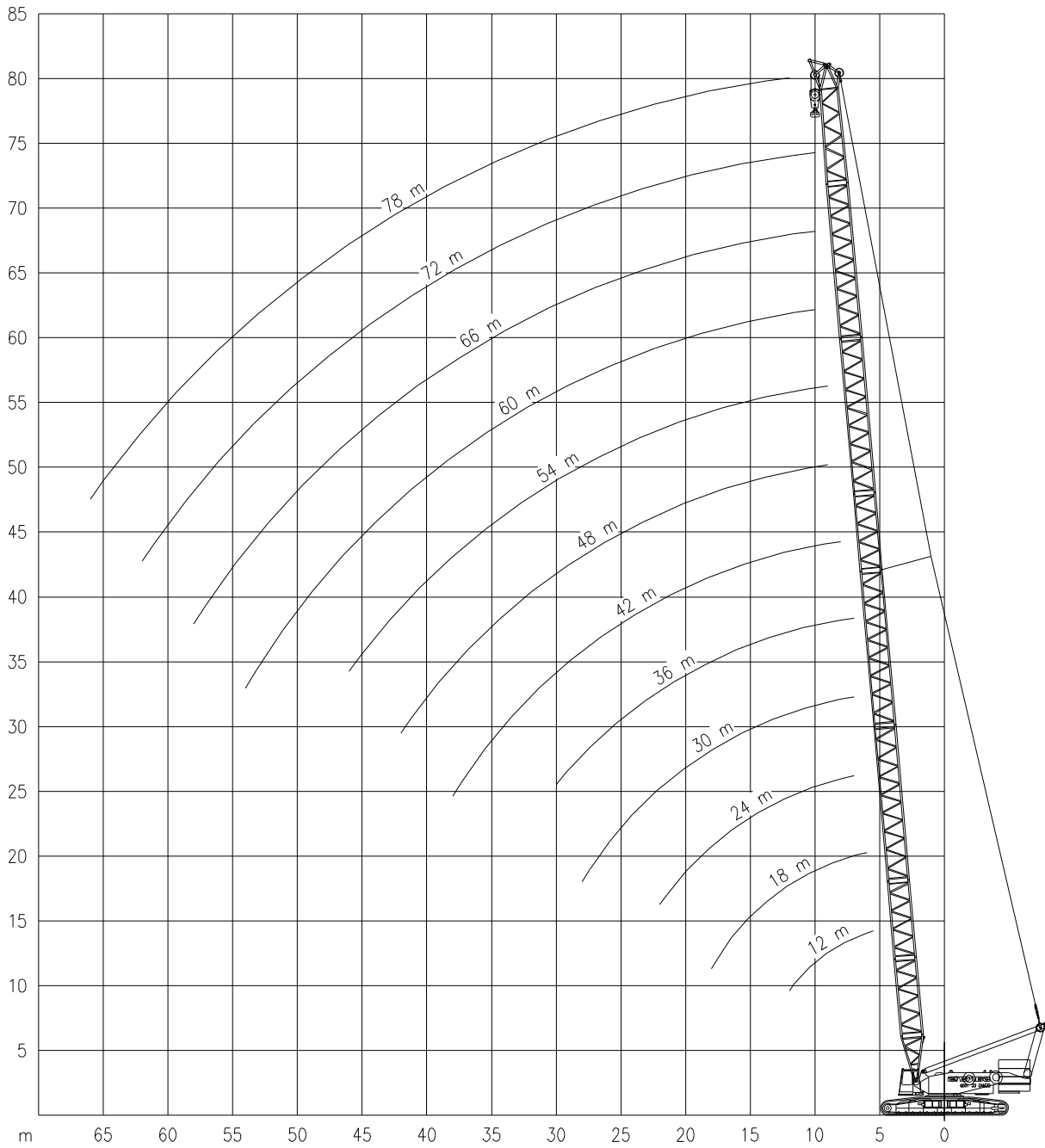
TEREX CC 1000

Working ranges
Portées

250 TON

Arbeitsbereiche
Werkbereich

LH



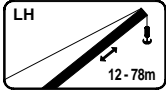


TEREX CC 1000

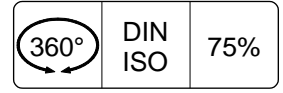
Lifting capacities
Capacités

250 TON

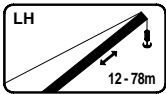
Tragfähigkeiten
Capacités



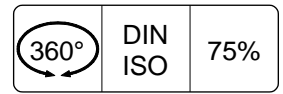
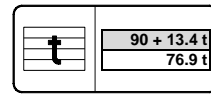
LH



m	12m	18m	24m	30m	36m	42m	48m	54m	60m	66m	72m	78m
	t	t	t	t	t	t	t	t	t	t	t	t
5.5	250.0	-	-	-	-	-	-	-	-	-	-	-
6.0	200.0	200.0	-	-	-	-	-	-	-	-	-	-
7.0	196.0	195.0	194.0	193.0	163.0	-	-	-	-	-	-	-
8.0	172.0	171.0	170.0	169.0	161.0	144.0	-	-	-	-	-	-
9.0	154.0	153.0	152.0	151.0	150.0	141.0	121.0	103.0	-	-	-	-
10.0	131.0	130.0	129.0	128.0	128.0	127.0	119.0	102.0	85.0	72.0	59.0	-
12.0	99.0	98.0	97.0	96.0	96.0	95.0	95.0	78.0	77.0	71.0	59.0	50.0
14.0	-	78.0	77.0	77.0	76.0	75.0	75.0	62.0	60.0	59.0	58.0	50.0
16.0	-	65.0	64.0	63.0	63.0	62.0	62.0	51.0	49.0	48.0	47.0	46.0
18.0	-	55.0	55.0	54.0	53.0	53.0	52.0	42.0	41.0	40.0	39.0	38.0
20.0	-	-	47.0	47.0	46.0	45.0	45.0	36.0	35.0	34.0	33.0	32.0
22.0	-	-	42.0	41.0	40.0	40.0	39.0	32.0	30.0	30.0	29.0	28.0
24.0	-	-	-	36.0	36.0	35.0	34.0	28.0	27.0	26.0	25.0	24.0
26.0	-	-	-	33.0	32.0	31.0	31.0	24.0	24.0	23.0	22.0	21.0
28.0	-	-	-	30.0	29.0	28.0	28.0	22.0	21.0	20.0	20.0	19.0
30.0	-	-	-	-	26.0	26.0	25.0	20.0	19.0	18.0	17.0	17.0
34.0	-	-	-	-	-	21.0	21.0	16.0	15.0	15.0	14.0	13.0
38.0	-	-	-	-	-	18.0	18.0	14.0	13.0	12.0	11.0	11.0
42.0	-	-	-	-	-	-	15.0	12.0	11.0	10.0	9.9	9.8
46.0	-	-	-	-	-	-	-	10.0	9.5	8.8	8.2	7.6
50.0	-	-	-	-	-	-	-	-	8.2	7.5	6.9	6.3
54.0	-	-	-	-	-	-	-	-	7.2	6.5	5.8	5.2
58.0	-	-	-	-	-	-	-	-	-	5.5	4.9	4.3
62.0	-	-	-	-	-	-	-	-	-	-	3.9	3.4
66.0	-	-	-	-	-	-	-	-	-	-	-	2.6



LH



m	12m	18m	24m	30m	36m	42m	48m	54m	60m	66m	72m	78m
	t	t	t	t	t	t	t	t	t	t	t	t
6.0	150.0	150.0	-	-	-	-	-	-	-	-	-	-
7.0	139.0	139.0	138.0	138.0	138.0	-	-	-	-	-	-	-
8.0	130.0	135.0	134.0	134.0	133.0	131.0	-	-	-	-	-	-
9.0	115.0	113.0	112.0	111.0	109.0	108.0	106.0	103.0	-	-	-	-
10.0	98.0	96.0	95.0	94.0	92.0	91.0	89.0	88.0	85.0	72.0	59.0	-
12.0	75.0	74.0	73.0	71.0	71.0	69.0	68.0	66.0	65.0	64.0	58.0	50.0
14.0	-	59.0	58.0	57.0	56.0	55.0	54.0	53.0	51.0	50.0	49.0	48.0
16.0	-	50.0	49.0	47.0	46.0	45.0	44.0	43.0	42.0	41.0	40.0	39.0
18.0	-	43.0	41.0	40.0	39.0	38.0	37.0	36.0	35.0	34.0	33.0	32.0
20.0	-	-	36.0	35.0	34.0	33.0	32.0	31.0	30.0	29.0	28.0	27.0
22.0	-	-	32.0	31.0	30.0	29.0	28.0	27.0	26.0	25.0	24.0	23.0
24.0	-	-	-	27.0	26.0	25.0	24.0	23.0	23.0	22.0	21.0	20.0
26.0	-	-	-	25.0	24.0	22.0	22.0	21.0	20.0	19.0	18.0	18.0
28.0	-	-	-	22.0	21.0	20.0	19.0	18.0	18.0	17.0	16.0	15.0
30.0	-	-	-	-	19.0	18.0	17.0	16.0	16.0	15.0	14.0	14.0
34.0	-	-	-	-	-	15.0	14.0	13.0	13.0	12.0	11.0	11.0
38.0	-	-	-	-	-	13.0	12.0	11.0	11.0	10.0	9.5	8.8
42.0	-	-	-	-	-	-	10.0	9.8	9.0	8.3	7.7	7.0
46.0	-	-	-	-	-	-	-	8.4	7.5	6.9	6.3	5.6
50.0	-	-	-	-	-	-	-	-	6.4	5.7	5.1	4.5
54.0	-	-	-	-	-	-	-	-	5.4	4.7	4.2	3.5
58.0	-	-	-	-	-	-	-	-	-	3.8	3.3	2.7
62.0	-	-	-	-	-	-	-	-	-	-	2.4	1.8



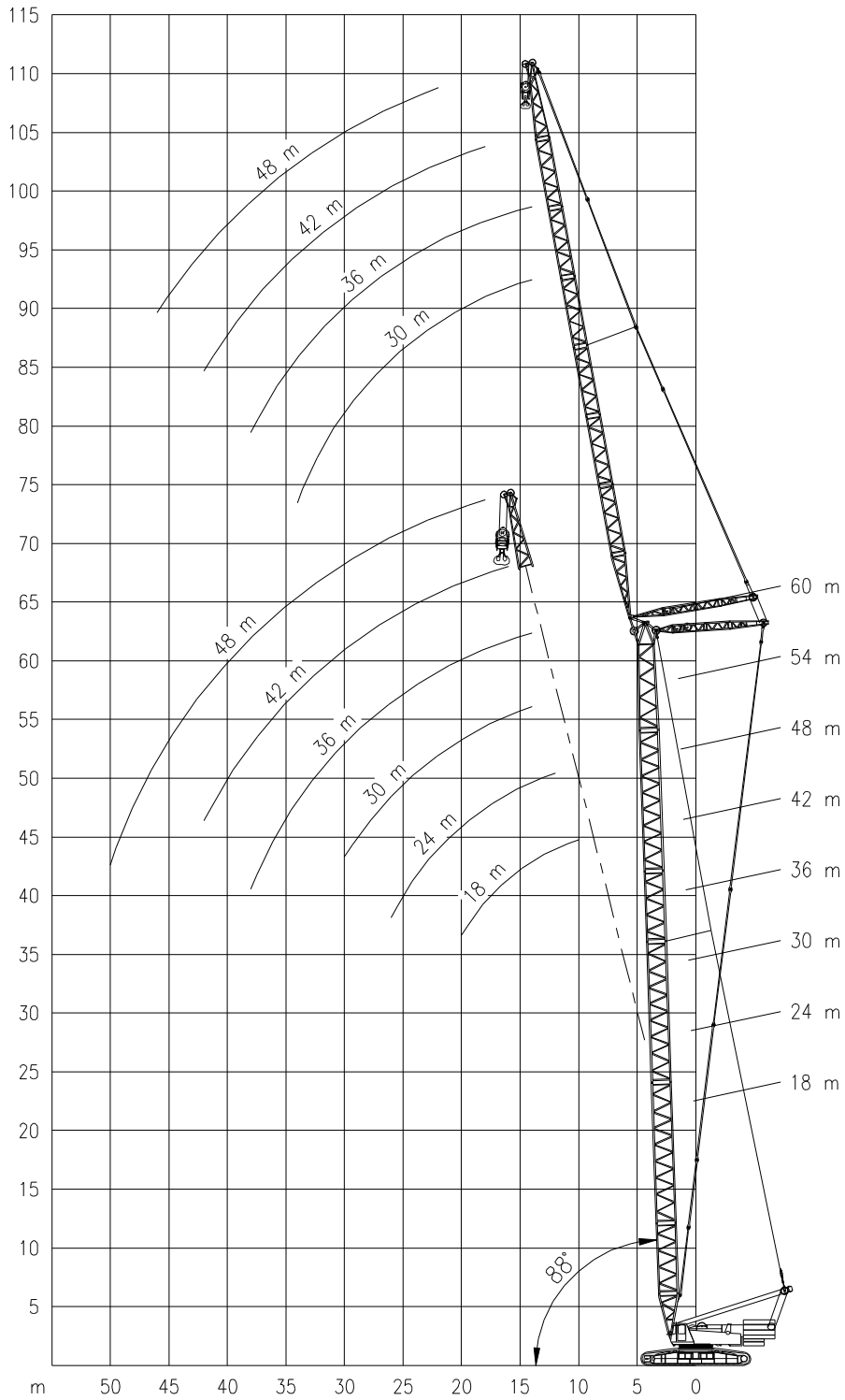
TEREX CC 1000

Working ranges
Portées

250 TON

Arbeitsbereiche
Werkbereich

SW





TEREX CC 1000

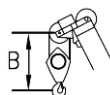
250 TON

Working speeds
Vitesses de travail

Arbeitsgeschwindigkeiten
Werksnelheden

Mechanisms Mécanismes Aandrijvingen	Speeds Vitesses Geschwindigkeiten Snelheden	Rope diameter Diamètre du câble Seildurchmesser Kabeldiameter	Single line pull Effort sur brin simple Zulässiger Seilzug je strang Toegelaten trekkraft / part	Length of ropes Longueur des cables Länge der Seile Kabellänge
Main hoist Levage sur flèche Hubwerk 1 Hijlslier 1	0 – 93 m/min	28 mm	100 kN	700 m
Auxiliary hoist Levage sur fléchette Hubwerk 2 Hijlslier 2	0 – 97 m/min	26 mm	83 kN	400 m
Luffing hoist Relevage de fléchette Wippwerk Toplier wipper	0 – 47 m/min	26 mm		
Hoist A-frame Relevage chevalet Einziehwerk Lier A-frame	0 – 33 m/min	26 mm		
Slewing gear Orientation Drehwerk Zwenkwerk	0 – 1.58 RPM			
Travel speed Vitesse sur route Fahrgeschwindigkeit Rijsnelheid	Low gear 0 – 0.7 km/h High gear 0 – 1.4 km/h			

Hook Block / Crane hook Crochet mouflé / Crochet simple



Unterflasche / Hakengehänge Kraanblok / Kraanhaak

Capacity Capacité Tragfähigkeit Capaciteit	Number of sheaves Nombre de poulies Anzahl der Rollen Aantal schijven	Number of lines Nombre de brins Strangzahl Aantal parten	Weight Poids Gewicht Gewicht	“B”
SWL 250 t	13	27	4150 kg	3.5 m
SWL 200 t	10	20	3600 kg	3.0 m
SWL 125 t	6	12/13	3040 kg	2.5 m
SWL 30 t	1	3	1160 kg	2.0 m