



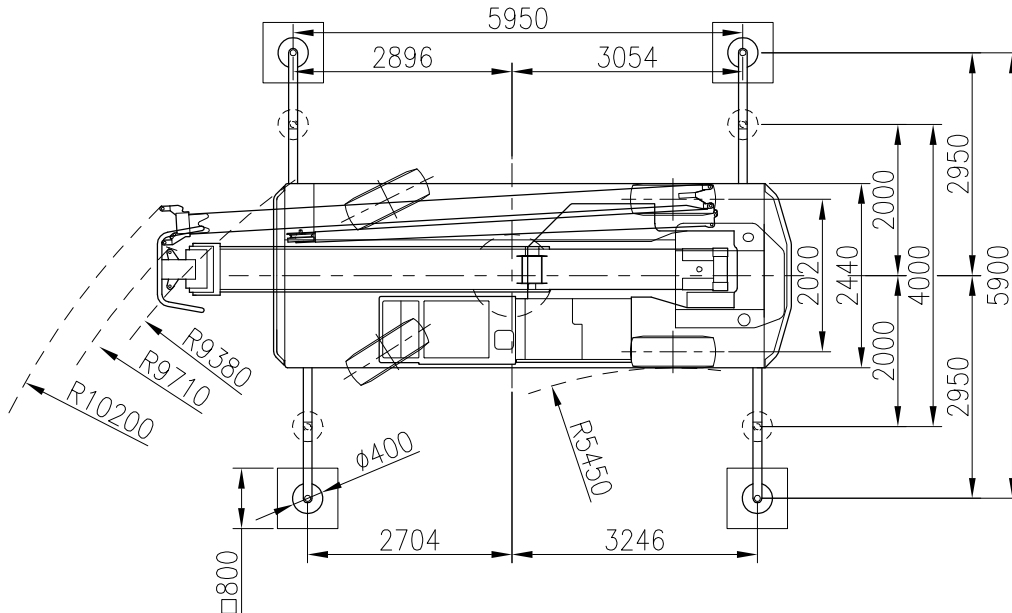
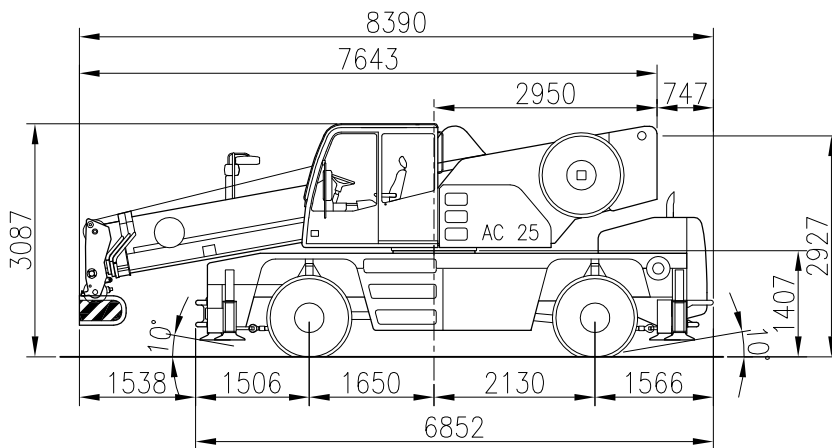
sarens
group

www.sarens.com

TEREX AC 25

25 TON

1/100



nothing too heavy, nothing too high





TEREX AC 25

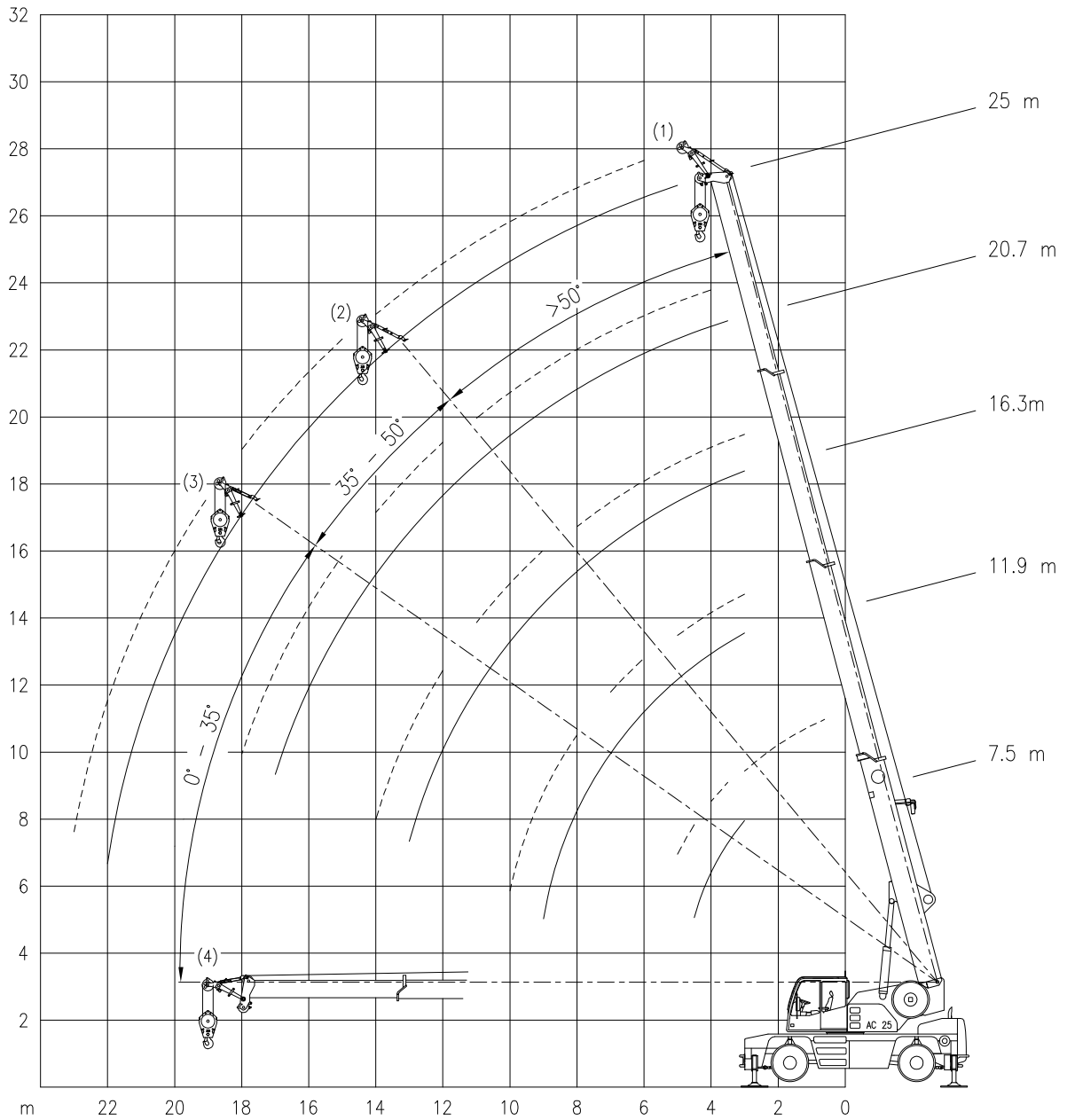
Working ranges
Portées

25 TON

Arbeitsbereiche
Werkbereich

Ha / Ha + Spitze

1/200



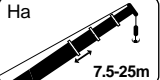


TEREX AC 25


Lifting capacities at main boom
Capacités à la flèche principale

25 TON

Tragfähigkeiten am Hauptausleger
Capaciteiten aan de hoofdgiel




Ha



Ha

5.9m



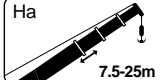
360°

DIN ISO

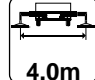
75%

m	7.5 m	11.9 m	16.3 m	20.7 m	25.0 m
	t	t	t	t	t
3.0	25*	-	-	-	-
3.0	21.5	15.0	15.0	-	-
3.5	19.7	15.0	15.0	12.0	-
4.0	17.9	15.0	14.8	12.0	-
4.5	16.2	15.0	14.0	12.0	-
5.0	-	14.7	13.3	12.0	9.0
6.0	-	12.0	12.1	11.2	8.3
7.0	-	9.8	9.8	9.2	7.6
8.0	-	7.7	7.8	7.6	7.0
9.0	-	6.2	6.3	6.4	6.1
10.0	-	-	5.3	5.4	5.3
11.0	-	-	4.4	4.5	4.5
12.0	-	-	3.8	3.9	3.9
13.0	-	-	3.3	3.4	3.4
14.0	-	-	-	2.9	3.0
15.0	-	-	-	2.6	2.6
16.0	-	-	-	2.3	2.3
17.0	-	-	-	2.0	2.0
18.0	-	-	-	-	1.8
19.0	-	-	-	-	1.6
20.0	-	-	-	-	1.4
21.0	-	-	-	-	1.2
22.0	-	-	-	-	1.0

*Over rear or front / En arrière ou devant / Nach hinten oder vorne / Over achterzijde of voorzijde.




Ha



Ha

4.0m

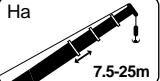


360°


DIN ISO

75%

m	7.5 m	11.9 m	16.3 m	20.7 m	25.0 m
	t	t	t	t	t
3.0	19.1	15.0	15.0	-	-
3.5	17.1	15.0	14.3	12.0	-
4.0	13.8	13.6	12.0	10.8	-
4.5	10.8	11.1	10.3	9.4	-
5.0	-	9.1	9.0	8.3	7.6
6.0	-	6.5	6.6	6.6	6.1
7.0	-	4.9	5.0	5.2	5.0
8.0	-	3.9	4.0	4.1	4.1
9.0	-	3.1	3.3	3.3	3.4
10.0	-	-	2.7	2.8	2.8
11.0	-	-	2.3	2.3	2.4
12.0	-	-	1.9	2.0	2.0
13.0	-	-	1.6	1.7	1.7
14.0	-	-	-	1.5	1.5
15.0	-	-	-	1.2	1.3
16.0	-	-	-	1.0	1.1
17.0	-	-	-	0.8	1.0
18.0	-	-	-	-	0.8
19.0	-	-	-	-	0.7
20.0	-	-	-	-	0.6
21.0	-	-	-	-	0.5




Ha



Ha

2.25m



360°

DIN ISO

75%

m	7.5 m	11.9 m	16.3 m
	t	t	t
3.0	9.3	9.7	8.7
3.5	7.1	7.4	7.3
4.0	5.6	5.9	6.0
4.5	4.6	4.9	5.0
5.0	-	4.1	4.2
6.0	-	3.0	3.1
7.0	-	2.3	2.4
8.0	-	1.8	1.9
9.0	-	1.3	1.5
10.0	-	-	1.2
11.0	-	-	1.0



Ha



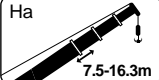
Ha

0°


DIN ISO

75%

m	7.5 m (max. 2 km/h)	11.9 m (max. 2 km/h)	16.3 m (max. 2 km/h)
	t	t	t
3.0	9.8*	10.0*	10.1*
3.5	8.8*	9.0*	9.1*
4.0	7.9*	8.1*	8.2*
4.5	7.2*	7.4*	7.5*
5.0	-	6.7*	6.8*
6.0	-	5.6*	5.7*
7.0	-	4.3*	4.4*
8.0	-	3.4*	3.5*
9.0	-	2.8*	2.9*
10.0	-	-	2.4*
11.0	-	-	2.0*
12.0	-	-	1.7*
13.0	-	-	1.4*



Ha



Ha

360°

DIN ISO

75%

m	7.5 m (0 km/h)	11.9 m (0 km/h)	16.3 m (0 km/h)
	t	t	t
3.0	-	-	-
3.5	5.6	5.9	6.0
4.0	4.9	5.1	5.2
4.5	4.2	4.5	4.6
5.0	-	3.9	4.0
6.0	-	2.8	2.9
7.0	-	2.1	2.2
8.0	-	1.7	1.7
9.0	-	1.3	1.4
10.0	-	-	1.1
11.0	-	-	0.9

*Over rear or front / En arrière ou devant / Nach hinten oder vorne / Over achterzijde of voorzijde.

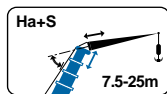


TEREX AC 25

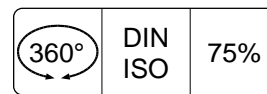
25 TON

Lifting capacities at fixed jib
Capacités à la flèche treillis fixe

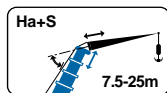
Tragfähigkeiten am starren Hilfsausleger
Capaciteiten aan de vaste hulpgiel



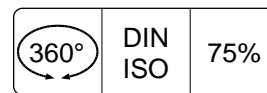
HA + Spitze



	7.5 m	11.9 m	16.3 m	20.7 m	25.0 m
m	t	t	t	t	t
3.0	15.0 (1)	15.0 (1)	12.5 (1)	-	-
3.5	15.0 (2)	15.0 (1)	12.5 (1)	-	-
4.0	15.0 (2)	15.0 (1)	12.5 (1)	10.0 (1)	-
4.5	15.0 (3)	14.9 (1)	12.4 (1)	10.0 (1)	-
5.0	14.5 (3)	14.2 (1)	12.2 (1)	10.0 (1)	8.0 (1)
6.0	-	12.0 (2)	11.5 (1)	10.0 (1)	8.0 (1)
7.0	-	9.9 (2)	10.0 (1)	9.3 (1)	7.3 (1)
8.0	-	7.6 (3)	7.9 (1)	7.8 (1)	6.6 (1)
9.0	-	6.2 (3)	6.3 (2)	6.4 (1)	6.0 (1)
10.0	-	5.2 (3)	5.2 (2)	5.3 (1)	5.3 (1)
12.0	-	-	3.7 (3)	3.8 (2)	3.8 (1)
14.0	-	-	2.8 (3)	2.8 (2)	2.8 (1)
16.0	-	-	-	2.1 (3)	2.1 (2)
18.0	-	-	-	1.6 (3)	1.6 (2)
20.0	-	-	-	-	1.2 (3)
22.0	-	-	-	-	0.9 (3)
23.0	-	-	-	-	0.8 (3)
HOR	13.0 (4)	4.8 (4)	2.3 (4)	1.0 (4)	-



HA + Spitze



	7.5 m	11.9 m	16.3 m	20.7 m	25.0 m
m	t	t	t	t	t
3.0	15.0 (1)	15.0 (1)	12.5 (1)	-	-
3.5	15.0 (2)	15.0 (1)	12.5 (1)	-	-
4.0	14.2 (2)	14.1 (1)	12.5 (1)	10.0 (1)	-
4.5	11.0 (3)	11.5 (1)	10.7 (1)	9.8 (1)	-
5.0	8.9 (3)	9.3 (1)	9.3 (1)	8.6 (1)	7.9 (1)
6.0	-	6.5 (2)	6.7 (1)	6.8 (1)	6.3 (1)
7.0	-	5.0 (2)	5.1 (1)	5.2 (1)	5.1 (1)
8.0	-	3.9 (3)	4.0 (1)	4.1 (1)	4.1 (1)
9.0	-	3.1 (3)	3.2 (2)	3.3 (1)	3.3 (1)
10.0	-	2.6 (3)	2.6 (2)	2.7 (1)	2.7 (1)
12.0	-	-	1.8 (3)	1.9 (2)	1.9 (1)
14.0	-	-	1.3 (3)	1.3 (2)	1.4 (1)
16.0	-	-	-	1.0 (3)	1.0 (2)
18.0	-	-	-	0.7 (3)	0.7 (2)
19.0	-	-	-	-	0.5 (3)
HOR	5.5 (4)	2.2 (4)	1.0 (4)	-	-

- (1) Max. offset for runner / inclinaison max. pour potence / Lange Absteckung Montagespitze / Max. offset voor giekneus
- (2) Medium offset for runner / inclinaison moyenne pour potence / Mittlere Absteckung Montagespitze / Middenste offset voor giekneus
- (3) Min. offset for runner / inclinaison min. pour potence / Kurze Absteckung Montagespitze / Min. offset voor giekneus
- (4) With horizontal boom / Avec flèche horizontale / Mit Horizontalen Ausleger / Met horizontale giel

Hook block/Crane hook
Unterflasche/Hakengehänge



29kN Ø 13mm

Crochet-mouflé / Crochet simple
Kraanblok/Kraanhaak

Capacity Capacité Tragfähigkeit Capaciteit	Number of sheaves Nombre de poulies Anzahl der rollen Aantal schijven	Number of lines Nombre de brins Strangzahl Aantal parten	Weight Poids Gewicht Gewicht	"B"
SWL 25.0 t	5	10	220 kg	1.8 m
SWL 20.3 t	3	7	160 kg	1.6 m
SWL 8.7 t	1	3	100 kg	1.6 m
SWL 2.9 t	-	0	80 kg	1.5 m