



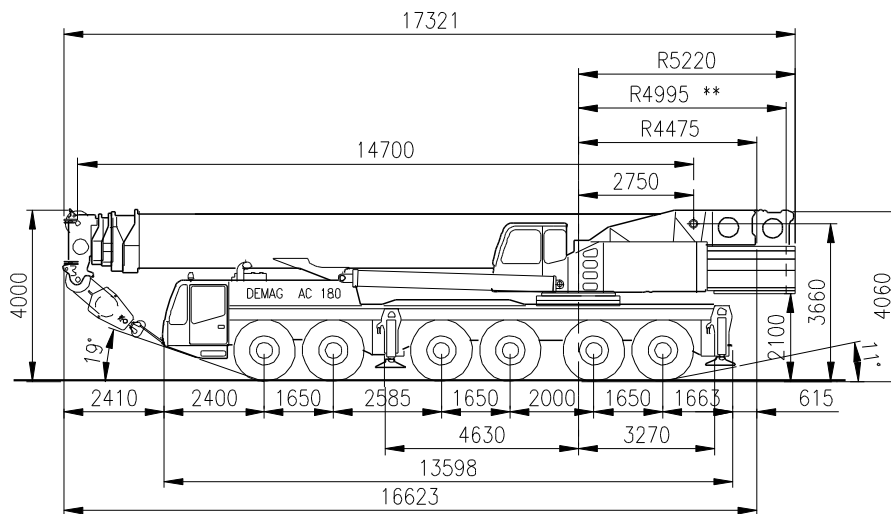
sarens

group

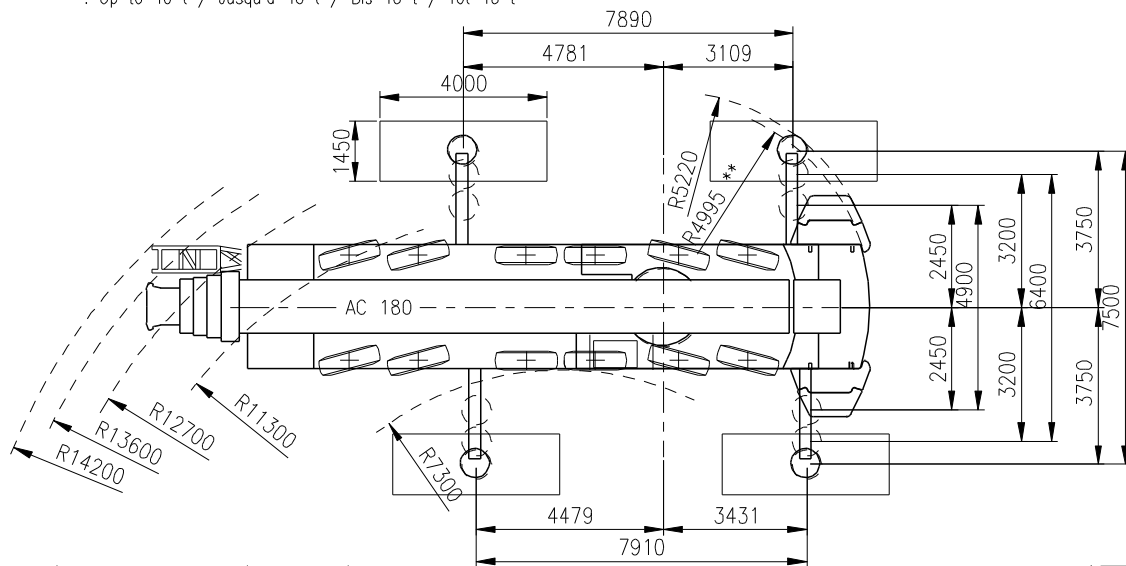
www.sarens.com

DEMAG AC 180

180 TON



** : Up to 40 t / Jusqu'à 40 t / Bis 40 t / Tot 40 t



| | | |
|--|--------------|---------|
| Axle load / Charge par essieu / Achslast / Alast | : 6 x 12 t | (☐ 0 t) |
| Total weight / Poids total / Gesamtgewicht / Totaal gewicht | : 72 t | (☐ 0 t) |
| Tyres / Pneus / Bereifung / Banden | : 14.00 R 25 | |
| Counterweight-trailer / Remorque de contrepoids / Gegengewicht Anhänger / Ballastwagen | : 40 t | |

nothing too heavy, nothing too high





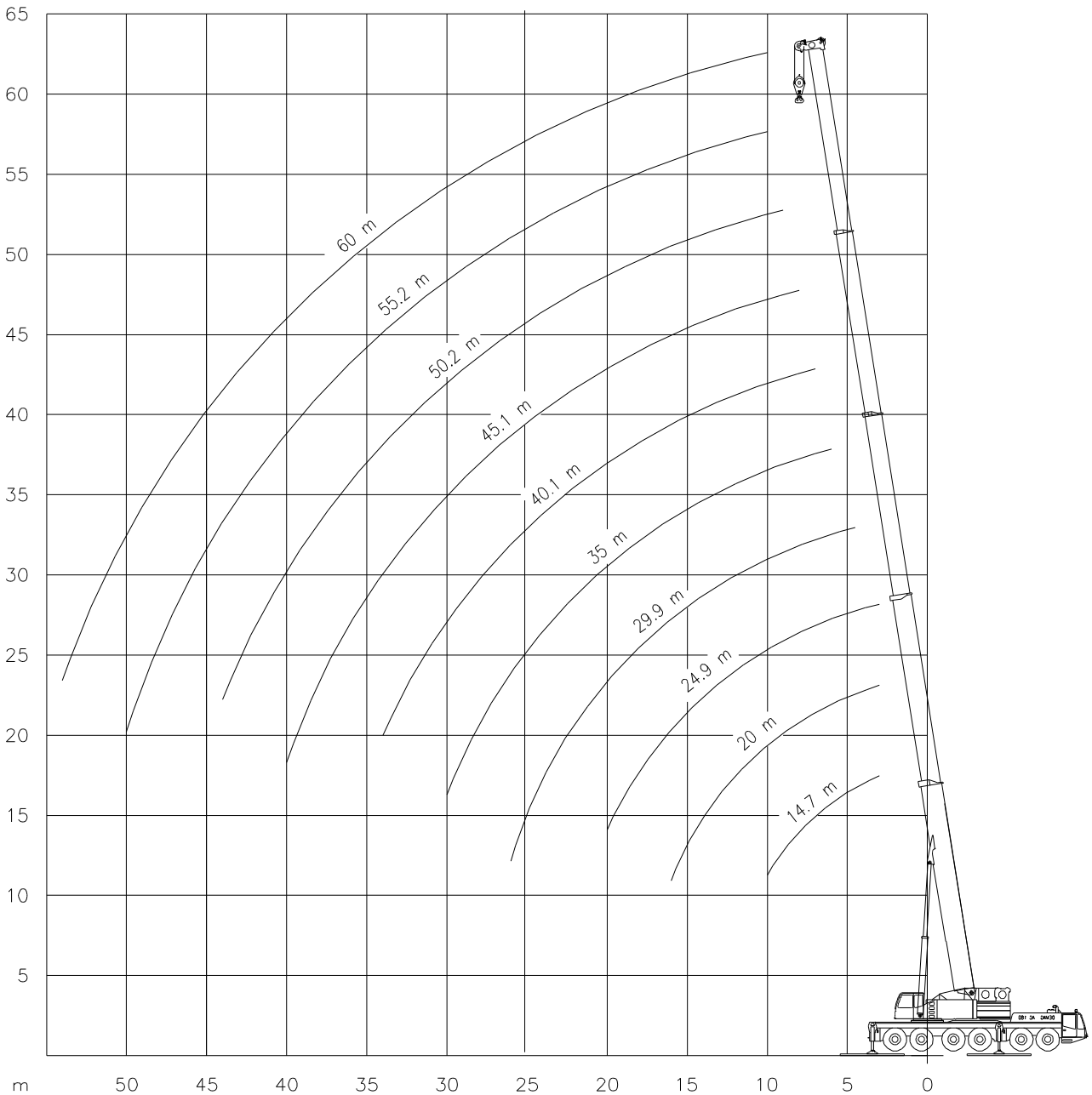
DEMAG AC 180

Working ranges
Portées

180 TON

Arbeitsbereiche
Werkbereich

Ha



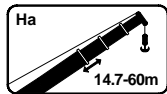


DEMAG AC 180

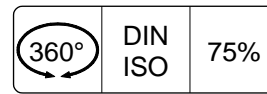
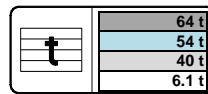
Capacities
Capacités

180 TON

Tragfähigkeiten
Capaciteiten



Ha



| | | 14.7 m** | 14.7 m | 20.0 m | 24.9 m | 29.9 m | 35.0 m | 40.1 m | 45.1 m | 50.2 m | 55.2 m | 60.0 m |
|------|--------|----------|---------|--------|--------|--------|--------|--------|--------|--------|--------|--------|
| m | t | t | t | t | t | t | t | t | t | t | t | t |
| 3.0 | 180 *1 | 137.0 * | 134.0 * | 95.0 | - | - | - | - | - | - | - | - |
| 3.5 | 166 *1 | 125.0 * | 125.0 * | 91.5 | - | - | - | - | - | - | - | - |
| 4.0 | 147 *1 | 115.0 * | 115.0 * | 88.5 | - | - | - | - | - | - | - | - |
| 4.5 | 131 *1 | 107.0 * | 107.0 * | 84.5 | 67.0 | - | - | - | - | - | - | - |
| 5.0 | 119 *1 | 100.0 * | 99.5 * | 81.0 | 64.5 | - | - | - | - | - | - | - |
| 6.0 | 99.0 * | 87.5 | 87.5 | 74.5 | 60.5 | 56.0 | - | - | - | - | - | - |
| 7.0 | 85.0 | 77.5 | 77.5 | 68.5 | 56.5 | 50.5 | 44.5 | - | - | - | - | - |
| 8.0 | 74.0 | 69.5 | 69.5 | 63.5 | 53.0 | 46.0 | 41.5 | 37.5 | - | - | - | - |
| 9.0 | 65.0 | 63.0 | 63.0 | 59.0 | 49.5 | 42.5 | 38.5 | 35.0 | 29.2 | - | - | - |
| 10.0 | 58.0 | 57.5 | 57.5 | 55.0 | 46.5 | 39.0 | 36.0 | 32.5 | 28.0 | 23.0 | 18.0 | - |
| 12.0 | - | - | 47.0 | 46.5 | 41.0 | 34.5 | 31.0 | 28.9 | 25.6 | 21.1 | 17.6 | - |
| 14.0 | - | - | 38.5 | 38.5 | 36.5 | 31.0 | 27.3 | 25.5 | 23.4 | 19.3 | 17.1 | - |
| 16.0 | - | - | 32.5 | 32.5 | 32.5 | 28.1 | 23.9 | 22.6 | 21.3 | 17.8 | 16.3 | - |
| 18.0 | - | - | - | 27.7 | 28.7 | 25.4 | 21.2 | 20.2 | 19.4 | 16.4 | 15.1 | - |
| 20.0 | - | - | - | 23.3 | 24.2 | 23.1 | 19.0 | 18.2 | 17.6 | 15.2 | 13.9 | - |
| 22.0 | - | - | - | - | 20.8 | 21.3 | 17.2 | 16.5 | 16.1 | 14.1 | 12.7 | - |
| 24.0 | - | - | - | - | 18.0 | 19.0 | 15.5 | 15.0 | 14.7 | 13.2 | 11.7 | - |
| 26.0 | - | - | - | - | 15.7 | 16.7 | 14.1 | 13.6 | 13.4 | 12.3 | 10.7 | - |
| 28.0 | - | - | - | - | - | 14.8 | 12.8 | 12.4 | 12.3 | 11.5 | 9.8 | - |
| 30.0 | - | - | - | - | - | 13.2 | 11.6 | 11.4 | 11.3 | 10.8 | 9.1 | - |
| 32.0 | - | - | - | - | - | - | 10.1 | 10.4 | 10.4 | 10.1 | 8.3 | - |
| 34.0 | - | - | - | - | - | - | 8.9 | 9.4 | 9.6 | 9.4 | 7.7 | - |
| 36.0 | - | - | - | - | - | - | - | 8.3 | 8.8 | 8.8 | 7.1 | - |
| 38.0 | - | - | - | - | - | - | - | 7.3 | 8.1 | 8.1 | 6.6 | - |
| 40.0 | - | - | - | - | - | - | - | 6.5 | 7.2 | 7.6 | 6.1 | - |
| 42.0 | - | - | - | - | - | - | - | - | 6.4 | 7.0 | 5.7 | - |
| 44.0 | - | - | - | - | - | - | - | - | 5.7 | 6.3 | 5.3 | - |
| 46.0 | - | - | - | - | - | - | - | - | - | 5.7 | 4.9 | - |
| 48.0 | - | - | - | - | - | - | - | - | - | 5.1 | 4.5 | - |
| 50.0 | - | - | - | - | - | - | - | - | - | 4.6 | 4.2 | - |
| 52.0 | - | - | - | - | - | - | - | - | - | - | 3.8 | - |
| 54.0 | - | - | - | - | - | - | - | - | - | - | 3.4 | - |

| | | 14.7 m | 20.0 m | 24.9 m | 29.9 m | 35.0 m | 40.1 m | 45.1 m | 50.2 m | 55.2 m | 60.0 m |
|------|---------|---------|--------|--------|--------|--------|--------|--------|--------|--------|--------|
| m | t | t | t | t | t | t | t | t | t | t | t |
| 3.0 | 135.0 * | 134.0 * | 95.0 | - | - | - | - | - | - | - | - |
| 3.5 | 124.0 * | 124.0 * | 91.5 | - | - | - | - | - | - | - | - |
| 4.0 | 114.0 * | 114.0 * | 88.5 | - | - | - | - | - | - | - | - |
| 4.5 | 106.0 * | 106.0 * | 84.5 | 67.0 | - | - | - | - | - | - | - |
| 5.0 | 98.5 * | 98.5 * | 81.0 | 64.5 | - | - | - | - | - | - | - |
| 6.0 | 86.5 | 86.5 | 74.5 | 60.5 | 56.0 | - | - | - | - | - | - |
| 7.0 | 76.5 | 76.5 | 68.5 | 56.5 | 50.5 | 44.5 | - | - | - | - | - |
| 8.0 | 69.0 | 68.5 | 63.5 | 53.0 | 46.0 | 41.5 | 37.5 | - | - | - | - |
| 9.0 | 62.0 | 62.0 | 59.0 | 49.5 | 42.5 | 38.5 | 35.0 | 29.2 | - | - | - |
| 10.0 | 55.0 | 54.5 | 54.5 | 46.5 | 39.0 | 36.0 | 32.5 | 28.0 | 23.0 | 18.0 | - |
| 12.0 | - | 43.5 | 43.5 | 41.0 | 34.5 | 31.0 | 28.9 | 25.6 | 21.1 | 17.6 | - |
| 14.0 | - | 35.5 | 35.5 | 36.5 | 31.0 | 27.3 | 25.5 | 23.4 | 19.3 | 17.1 | - |
| 16.0 | - | 28.7 | 28.4 | 29.5 | 28.1 | 23.9 | 22.6 | 21.3 | 17.8 | 16.3 | - |
| 18.0 | - | - | 23.3 | 24.3 | 25.4 | 21.2 | 20.2 | 19.4 | 16.4 | 15.1 | - |
| 20.0 | - | - | 19.4 | 20.3 | 21.5 | 19.0 | 18.2 | 17.6 | 15.2 | 13.9 | - |
| 22.0 | - | - | - | 17.3 | 18.3 | 16.9 | 16.5 | 16.1 | 14.1 | 12.7 | - |
| 24.0 | - | - | - | 14.8 | 15.8 | 14.4 | 14.9 | 14.7 | 13.2 | 11.7 | - |
| 26.0 | - | - | - | 12.8 | 13.8 | 12.3 | 12.9 | 13.4 | 12.3 | 10.7 | - |
| 28.0 | - | - | - | - | 12.1 | 10.5 | 11.1 | 12.0 | 11.5 | 9.8 | - |
| 30.0 | - | - | - | - | 10.7 | 9.0 | 9.6 | 10.4 | 10.8 | 9.1 | - |
| 32.0 | - | - | - | - | - | 7.7 | 8.3 | 9.1 | 9.8 | 8.3 | - |
| 34.0 | - | - | - | - | - | 6.6 | 7.1 | 8.0 | 8.6 | 7.7 | - |
| 36.0 | - | - | - | - | - | - | 6.2 | 7.0 | 7.6 | 7.1 | - |
| 38.0 | - | - | - | - | - | - | 5.3 | 6.1 | 6.7 | 6.6 | - |
| 40.0 | - | - | - | - | - | - | 4.6 | 5.3 | 5.9 | 6.0 | - |
| 42.0 | - | - | - | - | - | - | - | 4.6 | 5.2 | 5.3 | - |
| 44.0 | - | - | - | - | - | - | - | 4.0 | 4.6 | 4.7 | - |
| 46.0 | - | - | - | - | - | - | - | - | 4.0 | 4.1 | - |
| 48.0 | - | - | - | - | - | - | - | - | 3.5 | 3.6 | - |
| 50.0 | - | - | - | - | - | - | - | - | 3.1 | 3.1 | - |
| 52.0 | - | - | - | - | - | - | - | - | - | 2.7 | - |
| 54.0 | - | - | - | - | - | - | - | - | - | 2.3 | - |

1 Over rear / En arrière / Nach hinten / Over achterzijde.

*Only with heavy duty attachment / Seulement avec dispositif pour charges lourdes / Nur mit Schwerlasteinrichtung / Alleen met zware-lastuitrusting.

**Additional sheaves required / Poulies supplémentaires nécessaires / Zusätzliche Rollen erforderlich / Hulp schijven noodzakelijk.

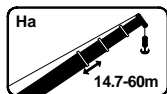


DEMAG AC 180

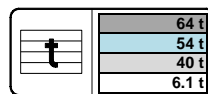
Capacities
Capacités

180 TON

Tragfähigkeiten
Capacités



Ha



| m | 14.7 m | 20.0 m | 24.9 m | 29.9 m | 35.0 m | 40.1 m | 45.1 m | (47.3 m) | 50.2 m | 55.2 m | 60.0 m |
|------|---------|---------|--------|-------------|--------|-------------|-------------|----------|--------|--------|--------|
| | t | t | t | t | t | t | t | t | t | t | t |
| 3.0 | 133.0 * | 133.0 * | 95.0 | - | - | - | - | - | - | - | - |
| 3.5 | 122.0 * | 121.0 * | 91.5 | - | - | - | - | - | - | - | - |
| 4.0 | 112.0 * | 112.0 * | 88.5 | - | - | - | - | - | - | - | - |
| 4.5 | 104.0 * | 104.0 * | 84.5 | 67.0 | - | - | - | - | - | - | - |
| 5.0 | 97.0 | 96.5 | 81.0 | 64.5 | - | - | - | - | - | - | - |
| 6.0 | 85.0 | 84.5 | 74.5 | 60.5 | 56.0 | - | - | - | - | - | - |
| 7.0 | 75.5 | 75.0 | 68.5 | 56.5 | 50.5 | 44.5 | - | - | - | - | - |
| 8.0 | 65.5 | 65.5 | 63.5 | 53.0 | 46.0 | 41.5 | 37.5 | (23.4) | - | - | - |
| 9.0 | 56.5 | 56.5 | 56.5 | 49.5 | 42.5 | 38.5 | 35.0 | (22.2) | 29.2 | - | - |
| 10.0 | 50.0 | 49.5 | 49.5 | 46.5 | 39.0 | 36.0 | 32.5 | (21.0) | 28.0 | 23.0 | 18.0 |
| 12.0 | - | 36.5 | 36.5 | 37.5 | 34.5 | 31.0 | 28.9 | (18.6) | 25.6 | 21.1 | 17.6 |
| 14.0 | - | 28.0 | 27.8 | 29.0 (30.5) | 30.0 | 27.3 | 25.5 | (16.5) | 23.4 | 19.3 | 17.1 |
| 16.0 | - | 22.1 | 21.9 | 22.9 (24.7) | 24.2 | 22.6 | 22.6 | (14.7) | 21.3 | 17.8 | 16.3 |
| 18.0 | - | - | 17.6 | 18.6 (20.2) | 19.8 | 18.3 | 18.9 | (13.2) | 19.4 | 16.4 | 15.1 |
| 20.0 | - | - | 14.4 | 15.3 (16.9) | 16.5 | 15.0 | 15.6 | (12.0) | 16.4 | 15.2 | 13.9 |
| 22.0 | - | - | - | 12.8 (14.4) | 13.9 | 12.4 | 13.0 | (11.0) | 13.8 | 14.1 | 12.7 |
| 24.0 | - | - | - | 10.7 (12.3) | 11.9 | 10.2 (10.6) | 10.8 (11.7) | (10.1) | 11.7 | 12.4 | 11.7 |
| 26.0 | - | - | - | 9.0 (10.7) | 10.1 | 8.4 (9.8) | 9.0 (10.9) | (9.3) | 9.9 | 10.7 | 10.7 |
| 28.0 | - | - | - | - | 8.6 | 7.0 (9.2) | 7.6 (9.8) | (8.6) | 8.4 | 9.1 | 9.2 |
| 30.0 | - | - | - | - | 7.4 | 5.7 (8.6) | 6.3 (8.5) | (8.0) | 7.2 | 7.9 | 7.9 |
| 32.0 | - | - | - | - | - | 4.7 (8.0) | 5.2 (7.4) | (7.5) | 6.1 | 6.7 | 6.8 |
| 34.0 | - | - | - | - | - | 3.8 (7.0) | 4.3 (6.5) | (6.7) | 5.1 | 5.8 | 5.9 |
| 36.0 | - | - | - | - | - | - | 3.5 (5.7) | (5.8) | 4.3 | 5.0 | 5.0 |
| 38.0 | - | - | - | - | - | - | 2.8 (4.9) | (5.1) | 3.6 | 4.2 | 4.3 |
| 40.0 | - | - | - | - | - | - | 2.2 (4.3) | (4.5) | 3.0 | 3.6 | 3.6 |
| 42.0 | - | - | - | - | - | - | - | (3.9) | 2.4 | 3.0 | 3.0 |
| 44.0 | - | - | - | - | - | - | - | - | 1.9 | 2.5 | 2.5 |
| 46.0 | - | - | - | - | - | - | - | - | - | 2.0 | 2.1 |
| 48.0 | - | - | - | - | - | - | - | - | - | 1.6 | 1.6 |
| 50.0 | - | - | - | - | - | - | - | - | - | 1.2 | 1.3 |

| m | 14.7 m | 20.0 m | 24.9 m | 29.9 m | 35.0 m | 40.1 m | 45.1 m | (47.3 m) | 50.2 m | 55.2 m | 60.0 m |
|------|---------|---------|-------------|-------------|-------------|-------------|-------------|----------|--------|--------|--------|
| | t | t | t | t | t | t | t | t | t | t | t |
| 3.0 | 127.0 * | 127.0 * | 95.0 | - | - | - | - | - | - | - | - |
| 3.5 | 116.0 * | 116.0 * | 91.5 | - | - | - | - | - | - | - | - |
| 4.0 | 107.0 * | 107.0 * | 88.5 | - | - | - | - | - | - | - | - |
| 4.5 | 98.0 * | 97.5 * | 84.5 | 67.0 | - | - | - | - | - | - | - |
| 5.0 | 86.0 | 83.0 | 72.0 | 64.5 | - (30.0) | - | - | - | - | - | - |
| 6.0 | 63.5 | 58.5 | 52.0 | 49.0 (52.5) | 47.0 | - (29.7) | - | - | - | - | - |
| 7.0 | 41.5 | 41.0 | 40.0 | 38.5 (41.5) | 37.5 | 32.0 | - | - | - | - | - |
| 8.0 | 30.0 | 29.9 | 29.7 | 31.0 (33.5) | 30.5 | 26.4 | 25.6 | (23.4) | - | - | - |
| 9.0 | 22.9 | 22.7 | 22.5 | 24.0 (26.2) | 25.7 | 21.9 (23.5) | 21.5 (23.8) | (22.2) | 21.4 | - | - |
| 10.0 | 18.0 | 17.8 | 17.7 (20.4) | 19.0 (21.0) | 20.5 | 18.2 (21.9) | 18.0 (21.3) | (21.0) | 18.1 | 18.0 | 17.2 |
| 12.0 | - | 11.2 | 11.0 (15.8) | 12.3 (14.3) | 13.8 (16.6) | 11.9 (16.0) | 12.4 (15.3) | (15.5) | 13.0 | 13.3 | 12.7 |
| 14.0 | - | 7.2 | 7.0 (11.3) | 8.1 (9.9) | 9.5 (12.0) | 7.8 (11.4) | 8.2 (10.9) | (11.1) | 8.8 | 9.2 | 8.8 |
| 16.0 | - | 4.7 | 4.4 (8.4) | 5.5 (7.1) | 6.7 (9.1) | 5.1 (8.5) | 5.4 (8.0) | (8.2) | 6.1 | 6.5 | 6.2 |
| 18.0 | - | - | 2.2 (6.4) | 3.4 (5.1) | 4.7 (7.0) | 3.0 (6.4) | 3.5 (5.9) | (6.1) | 4.1 | 4.6 | 4.3 |
| 20.0 | - | - | - (4.9) | 1.8 (3.7) | 3.2 (5.4) | 1.4 (4.9) | 2.0 (4.4) | (4.5) | 2.6 | 3.1 | 2.9 |
| 22.0 | - | - | - | - (2.4) | 1.9 (4.3) | - (3.8) | - (3.2) | (3.3) | 1.5 | 2.0 | 1.8 |
| 24.0 | - | - | - | - (1.4) | - (3.3) | - (2.8) | - (2.2) | (2.3) | - | 1.1 | - |
| 26.0 | - | - | - | - | - (2.5) | - (1.9) | - (1.3) | (1.5) | - | - | - |
| 28.0 | - | - | - | - | - (1.8) | - (1.2) | - | - | - | - | - |
| 30.0 | - | - | - | - | - (1.2) | - | - | - | - | - | - |

() Special extension lengths / Longuer de sortie spéciales / Sonder Ausfahrängen / Speciale uitschuiflengte

*Only with heavy duty attachment / Seulement avec dispositif pour charges lourdes / Nur mit Schwerlasteinrichtung / Alleen met zware-lastuitrusting.

**Additional sheaves required / Poulies supplémentaires nécessaire / Zusätzliche Rollen erforderlich / Hulp schijven noodzakelijk.

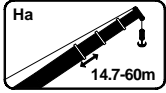


DEMAG AC 180

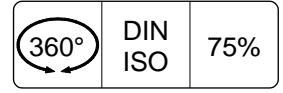
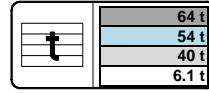
Capacities
Capacités


180 TON


Tragfähigkeiten
Capacités



Ha Tele



|  | 14.7 m | 14.7 m 20.0 m | 14.7 m 24.9 m | 20.0 m 29.9 m | 14.7 m 35.0 m | 24.9 m 35.0 m | 20.0 m 40.1 m | 24.9 m 45.1 m | 29.9 m 50.2 m | 35.0 m 55.2 m | 37.1 m 60.0 m |
|---|--------|------------------|------------------|------------------|------------------|------------------|------------------|------------------|------------------|------------------|------------------|
| m | t | t | t | t | t | t | t | t | t | t | t |
| 3.0 | 80.0 | 25.0 | - | - | - | - | - | - | - | - | - |
| 3.5 | 80.0 | 25.0 | 22.0 | - | - | - | - | - | - | - | - |
| 4.0 | 80.0 | 25.0 | 21.7 | - | - | - | - | - | - | - | - |
| 4.5 | 80.0 | 25.0 | 21.4 | 20.0 | - | - | - | - | - | - | - |
| 5.0 | 80.0 | 25.0 | 21.1 | 19.8 | - | - | - | - | - | - | - |
| 6.0 | 80.0 | 25.0 | 20.6 | 19.5 | 13.0 | 19.0 | - | - | - | - | - |
| 7.0 | 77.5 | 25.0 | 20.0 | 19.2 | 12.0 | 18.6 | 11.0 | - | - | - | - |
| 8.0 | 69.5 | 25.0 | 20.0 | 18.9 | 11.0 | 18.2 | 10.4 | 10.0 | - | - | - |
| 9.0 | 63.0 | 25.0 | 20.0 | 18.6 | 10.0 | 17.8 | 9.8 | 9.4 | 9.0 | - | - |
| 10.0 | 57.5 | 25.0 | 20.0 | 18.3 | 9.0 | 17.4 | 9.2 | 8.8 | 8.4 | 8.0 | 6.0 |
| 12.0 | - | 25.0 | 20.0 | 17.6 | 8.2 | 16.6 | 8.0 | 7.6 | 7.3 | 7.0 | 5.0 |
| 14.0 | - | 25.0 | 20.0 | 17.0 | 7.4 | 15.8 | 7.0 | 6.6 | 6.3 | 6.0 | 4.1 |
| 16.0 | - | 25.0 | 20.0 | 16.8 | 6.6 | 15.0 | 6.0 | 5.6 | 5.3 | 5.0 | 3.3 |
| 18.0 | - | - | 20.0 | 16.7 | 5.8 | 14.9 | 5.2 | 4.8 | 4.5 | 4.3 | 2.6 |
| 20.0 | - | - | 20.0 | 16.5 | 5.0 | 14.7 | 4.5 | 4.1 | 3.7 | 3.5 | 2.0 |
| 22.0 | - | - | - | 16.3 | 4.3 | 14.6 | 3.7 | 3.4 | 3.1 | 2.9 | - |
| 24.0 | - | - | - | 15.9 | 3.5 | 14.4 | 3.0 | 2.7 | 2.5 | 2.3 | - |
| 26.0 | - | - | - | 13.9 | 2.8 | 14.3 | 2.3 | 2.1 | 2.0 | - | - |
| 28.0 | - | - | - | - | 2.0 | 13.1 | - | - | - | - | - |
| 30.0 | - | - | - | - | - | 11.7 | - | - | - | - | - |

|  | 14.7 m | 14.7 m 20.0 m | 14.7 m 24.9 m | 20.0 m 29.9 m | 14.7 m 35.0 m | 24.9 m 35.0 m | 20.0 m 40.1 m | 24.9 m 45.1 m | 29.9 m 50.2 m | 35.0 m 55.2 m | 37.1 m 60.0 m |
|--|--------|------------------|------------------|------------------|------------------|------------------|------------------|------------------|------------------|------------------|------------------|
| m | t | t | t | t | t | t | t | t | t | t | t |
| 3.0 | 80.0 | 25.0 | - | - | - | - | - | - | - | - | - |
| 3.5 | 80.0 | 25.0 | 22.0 | - | - | - | - | - | - | - | - |
| 4.0 | 80.0 | 25.0 | 21.7 | - | - | - | - | - | - | - | - |
| 4.5 | 80.0 | 25.0 | 21.4 | 20.0 | - | - | - | - | - | - | - |
| 5.0 | 80.0 | 25.0 | 21.1 | 19.8 | - | - | - | - | - | - | - |
| 6.0 | 80.0 | 25.0 | 20.6 | 19.5 | 13.0 | 19.0 | - | - | - | - | - |
| 7.0 | 75.5 | 25.0 | 20.0 | 19.2 | 12.0 | 18.6 | 11.0 | - | - | - | - |
| 8.0 | 65.5 | 25.0 | 20.0 | 18.9 | 11.0 | 18.2 | 10.4 | 10.0 | - | - | - |
| 9.0 | 54.5 | 25.0 | 20.0 | 18.6 | 10.0 | 17.8 | 9.8 | 9.4 | 9.0 | - | - |
| 10.0 | 45.0 | 25.0 | 20.0 | 18.3 | 9.0 | 17.4 | 9.2 | 8.8 | 8.4 | 8.0 | 6.0 |
| 12.0 | - | 25.0 | 20.0 | 17.6 | 8.2 | 16.6 | 8.0 | 7.6 | 7.3 | 7.0 | 5.0 |
| 14.0 | - | 24.8 | 20.0 | 17.0 | 7.4 | 15.8 | 7.0 | 6.6 | 6.3 | 6.0 | 4.1 |
| 16.0 | - | 19.6 | 19.4 | 16.8 | 6.6 | 15.0 | 6.0 | 5.6 | 5.3 | 5.0 | 3.3 |
| 18.0 | - | - | 15.6 | 16.5 | 5.8 | 14.9 | 5.2 | 4.8 | 4.5 | 4.3 | 2.6 |
| 20.0 | - | - | 12.8 | 13.6 | 5.0 | 14.6 | 4.5 | 4.1 | 3.7 | 3.5 | 2.0 |
| 22.0 | - | - | - | 11.4 | 4.3 | 12.3 | 3.7 | 3.4 | 3.1 | 2.9 | - |
| 24.0 | - | - | - | 9.6 | 3.5 | 10.5 | 3.0 | 2.7 | 2.5 | 2.3 | - |
| 26.0 | - | - | - | 8.2 | 2.8 | 9.0 | 2.3 | 2.1 | 2.0 | - | - |
| 28.0 | - | - | - | - | 2.0 | 7.8 | - | - | - | - | - |
| 30.0 | - | - | - | - | - | 6.8 | - | - | - | - | - |



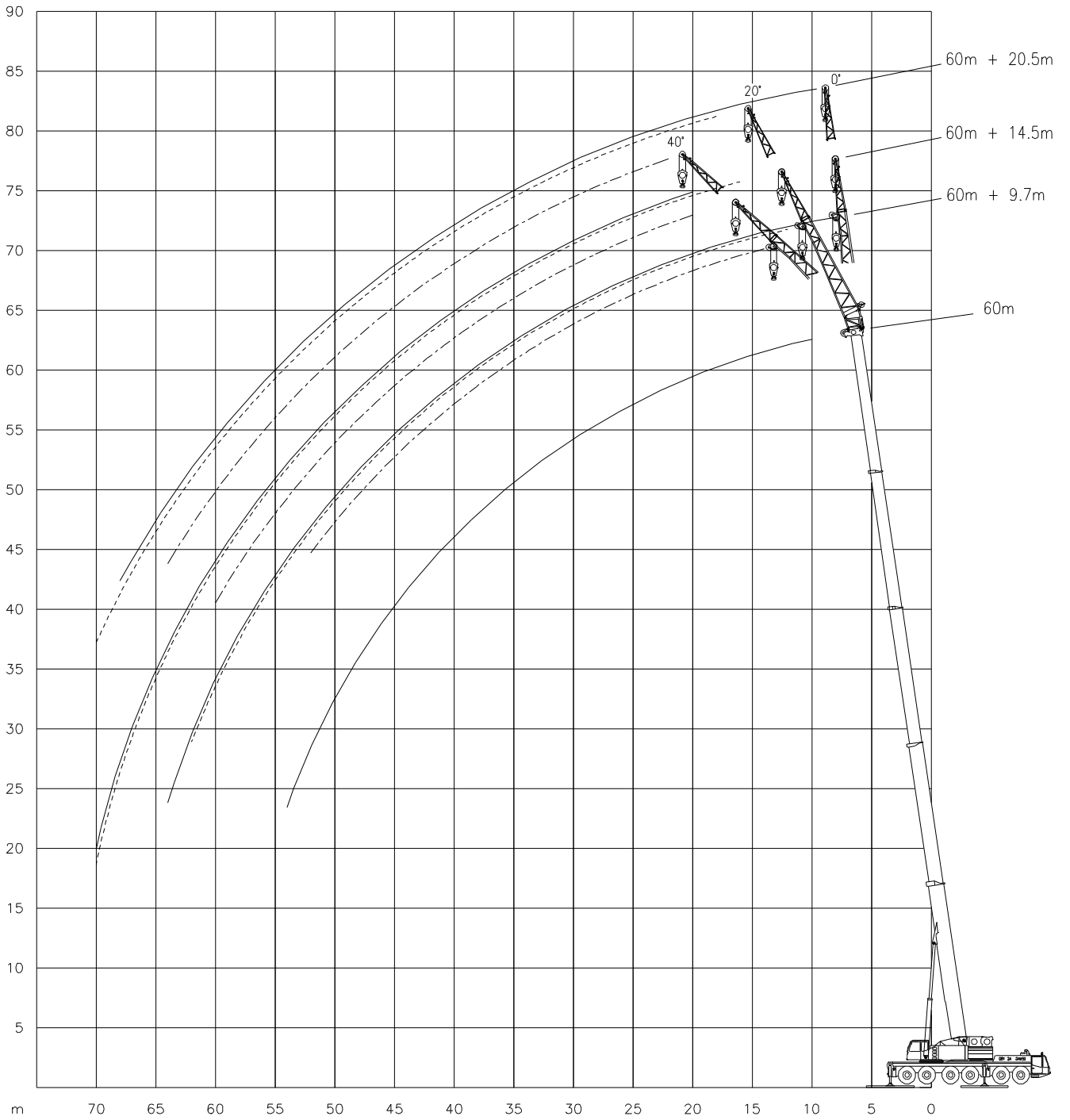
DEMAG AC 180

Working ranges
Portées

180 TON

Arbeitsbereiche
Werkbereich

HaV



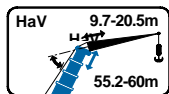


DEMAG AC 180

Capacities
Capacités

180 TON

Tragfähigkeiten
Capacités



HaV



| m | 55.2 m | | | | | | | | | 60.0 m | | | | | | | | | |
|------|--------|------|-----|--------|-----|-----|--------|-----|-----|--------|-----|-----|--------|-----|-----|--------|-----|-----|-----|
| | 9.7 m | | | 14.5 m | | | 20.5 m | | | 9.7 m | | | 14.5 m | | | 20.5 m | | | |
| | 0° | 20° | 40° | 0° | 20° | 40° | 0° | 20° | 40° | 0° | 20° | 40° | 0° | 20° | 40° | 0° | 20° | 40° | |
| 8.0 | - | - | - | - | - | - | - | - | - | 10.7 | - | - | - | - | - | - | - | - | - |
| 9.0 | 13.3 | - | - | - | - | - | - | - | - | 10.7 | - | - | - | - | - | - | - | 5.7 | - |
| 10.0 | 13.3 | - | - | - | - | - | 7.8 | - | - | 10.7 | - | - | - | - | - | - | - | 5.7 | - |
| 12.0 | 12.7 | 11.2 | - | - | - | - | 7.8 | - | - | 10.7 | 9.7 | - | - | - | - | - | - | 5.7 | - |
| 14.0 | 12.0 | 11.2 | 9.7 | - | - | - | 7.6 | - | - | 10.3 | 9.7 | 8.1 | - | - | - | - | - | 5.7 | - |
| 16.0 | 11.4 | 10.6 | 9.7 | - | 8.4 | - | 7.4 | - | - | 9.9 | 9.3 | 8.1 | - | 6.8 | - | - | - | 5.7 | - |
| 18.0 | 10.8 | 10.1 | 9.3 | - | 8.4 | - | 7.2 | 5.6 | - | 9.4 | 8.9 | 8.1 | - | 6.8 | - | - | - | 5.6 | 4.8 |
| 20.0 | 10.2 | 9.6 | 8.9 | 9.2 | 7.9 | 6.8 | 6.9 | 5.6 | - | 9.0 | 8.5 | 7.7 | 7.6 | 6.8 | 5.8 | - | - | 5.4 | 4.8 |
| 22.0 | 9.6 | 9.1 | 8.5 | 8.8 | 7.5 | 6.8 | 6.7 | 5.4 | 4.4 | 8.5 | 8.0 | 7.3 | 7.3 | 6.5 | 5.8 | - | - | 5.3 | 4.7 |
| 24.0 | 9.1 | 8.7 | 8.1 | 8.3 | 7.2 | 6.5 | 6.5 | 5.3 | 4.4 | 8.1 | 7.6 | 7.0 | 7.0 | 6.3 | 5.8 | - | - | 5.1 | 4.5 |
| 26.0 | 8.6 | 8.2 | 7.7 | 7.9 | 6.8 | 6.2 | 6.2 | 5.1 | 4.3 | 7.6 | 7.2 | 6.6 | 6.8 | 6.0 | 5.5 | - | - | 4.9 | 4.4 |
| 28.0 | 8.1 | 7.8 | 7.4 | 7.5 | 6.5 | 6.0 | 6.0 | 4.9 | 4.1 | 7.2 | 6.7 | 6.3 | 6.4 | 5.7 | 5.3 | - | - | 4.7 | 4.2 |
| 30.0 | 7.7 | 7.3 | 7.0 | 7.1 | 6.2 | 5.7 | 5.7 | 4.8 | 4.0 | 6.7 | 6.3 | 5.9 | 6.1 | 5.4 | 5.0 | - | - | 4.5 | 4.1 |
| 32.0 | 7.2 | 6.9 | 6.7 | 6.8 | 6.0 | 5.5 | 5.5 | 4.6 | 3.9 | 6.3 | 5.9 | 5.6 | 5.7 | 5.1 | 4.8 | - | - | 4.3 | 4.0 |
| 34.0 | 6.8 | 6.6 | 6.4 | 6.4 | 5.7 | 5.3 | 5.2 | 4.4 | 3.8 | 5.8 | 5.5 | 5.2 | 5.4 | 4.9 | 4.5 | - | - | 4.1 | 3.8 |
| 36.0 | 6.4 | 6.2 | 6.1 | 6.1 | 5.5 | 5.1 | 5.0 | 4.2 | 3.7 | 5.4 | 5.1 | 4.9 | 5.1 | 4.6 | 4.3 | - | - | 4.0 | 3.7 |
| 38.0 | 6.1 | 5.9 | 5.8 | 5.8 | 5.2 | 4.9 | 4.8 | 4.1 | 3.6 | 5.0 | 4.7 | 4.6 | 4.8 | 4.3 | 4.0 | - | - | 3.8 | 3.5 |
| 40.0 | 5.8 | 5.6 | 5.5 | 5.5 | 5.0 | 4.7 | 4.5 | 3.9 | 3.4 | 4.6 | 4.3 | 4.3 | 4.5 | 4.1 | 3.8 | - | - | 3.6 | 3.3 |
| 42.0 | 5.4 | 5.3 | 5.2 | 5.2 | 4.8 | 4.5 | 4.3 | 3.7 | 3.3 | 4.2 | 4.0 | 4.0 | 4.2 | 3.8 | 3.5 | - | - | 3.4 | 3.2 |
| 44.0 | 5.2 | 5.0 | 4.9 | 4.9 | 4.6 | 4.3 | 4.1 | 3.6 | 3.2 | 3.9 | 3.7 | 3.7 | 3.9 | 3.6 | 3.3 | - | - | 3.2 | 3.0 |
| 46.0 | 4.9 | 4.7 | 4.6 | 4.7 | 4.4 | 4.2 | 3.9 | 3.4 | 3.1 | 3.6 | 3.4 | 3.4 | 3.6 | 3.3 | 3.1 | - | - | 3.0 | 2.8 |
| 48.0 | 4.6 | 4.4 | 4.3 | 4.4 | 4.2 | 4.0 | 3.7 | 3.3 | 3.0 | 3.2 | 3.1 | 3.1 | 3.3 | 3.1 | 2.9 | - | - | 2.8 | 2.7 |
| 50.0 | 4.2 | 4.2 | - | 4.2 | 4.0 | 3.8 | 3.5 | 3.2 | 2.9 | 2.9 | 2.9 | 2.8 | 3.1 | 2.9 | 2.7 | - | - | 2.6 | 2.5 |
| 52.0 | 3.7 | 4.0 | - | 4.0 | 3.8 | 3.7 | 3.3 | 3.0 | 2.8 | 2.7 | 2.6 | 2.5 | 2.9 | 2.7 | 2.5 | - | - | 2.4 | 2.3 |
| 54.0 | 3.3 | 3.5 | - | 3.8 | 3.6 | 3.5 | 3.1 | 2.9 | 2.8 | 2.4 | 2.4 | - | 2.7 | 2.4 | 2.3 | - | - | 2.2 | 2.2 |
| 56.0 | 2.9 | 3.0 | - | 3.5 | 3.4 | 3.3 | 3.0 | 2.8 | 2.7 | 2.2 | 2.2 | - | 2.4 | 2.3 | 2.1 | - | - | 2.1 | 2.0 |
| 58.0 | 2.5 | 2.6 | - | 3.1 | 3.3 | - | 2.8 | 2.7 | 2.6 | 2.0 | 2.0 | - | 2.2 | 2.1 | 2.0 | - | - | 1.9 | 1.8 |
| 60.0 | 2.2 | - | - | 2.7 | 3.0 | - | 2.6 | 2.6 | 2.5 | 1.8 | 1.9 | - | 2.0 | 1.9 | 1.8 | - | - | 1.7 | 1.7 |
| 62.0 | - | - | - | 2.4 | 2.6 | - | 2.3 | 2.5 | - | 1.7 | 1.7 | - | 1.8 | 1.7 | - | - | - | 1.5 | 1.5 |
| 64.0 | - | - | - | 2.1 | 2.2 | - | 2.0 | 2.3 | - | 1.5 | - | - | 1.6 | 1.6 | - | - | - | 1.4 | 1.4 |
| 66.0 | - | - | - | 1.8 | 1.9 | - | 1.7 | 2.0 | - | - | - | - | 1.4 | 1.5 | - | - | - | 1.2 | 1.2 |
| 68.0 | - | - | - | - | - | - | 1.5 | 1.7 | - | - | - | - | 1.3 | 1.4 | - | - | - | 1.1 | 1.1 |
| 70.0 | - | - | - | - | - | - | 1.2 | 1.4 | - | - | - | - | 1.1 | 1.3 | - | - | - | - | 1.0 |

| m | 55.2 m | | | | | | | | | 60.0 m | | | | | | | | | |
|------|--------|------|-----|--------|-----|-----|--------|-----|-----|--------|-----|-----|--------|-----|-----|--------|-----|-----|-----|
| | 9.7 m | | | 14.5 m | | | 20.5 m | | | 9.7 m | | | 14.5 m | | | 20.5 m | | | |
| | 0° | 20° | 40° | 0° | 20° | 40° | 0° | 20° | 40° | 0° | 20° | 40° | 0° | 20° | 40° | 0° | 20° | 40° | |
| 8.0 | - | - | - | - | - | - | - | - | - | 10.7 | - | - | - | - | - | - | - | - | - |
| 9.0 | 13.3 | - | - | - | - | - | - | - | - | 10.7 | - | - | - | - | - | - | - | 5.7 | - |
| 10.0 | 13.3 | - | - | - | - | - | 7.8 | - | - | 10.7 | - | - | - | - | - | - | - | 5.7 | - |
| 12.0 | 12.7 | 11.2 | - | - | - | - | 7.8 | - | - | 10.7 | 9.7 | - | - | - | - | - | - | 5.7 | - |
| 14.0 | 12.0 | 11.2 | 9.7 | - | 8.4 | - | 7.6 | - | - | 10.3 | 9.7 | 8.1 | - | 6.8 | - | - | - | 5.7 | - |
| 16.0 | 11.4 | 10.6 | 9.7 | - | 8.4 | - | 7.4 | - | - | 9.9 | 9.3 | 8.1 | - | 6.8 | - | - | - | 5.7 | - |
| 18.0 | 10.8 | 10.1 | 9.3 | 9.2 | 7.9 | 6.8 | 7.2 | 5.6 | - | 9.4 | 8.9 | 8.1 | 7.6 | 6.8 | 5.8 | - | - | 5.6 | 4.8 |
| 20.0 | 10.2 | 9.6 | 8.9 | 8.8 | 7.5 | 6.8 | 6.9 | 5.6 | - | 9.0 | 8.5 | 7.7 | 7.3 | 6.5 | 5.8 | - | - | 5.4 | 4.8 |
| 22.0 | 9.6 | 9.1 | 8.5 | 8.3 | 7.2 | 6.5 | 6.7 | 5.4 | 4.4 | 8.5 | 8.0 | 7.3 | 7.0 | 6.3 | 5.8 | - | - | 5.3 | 4.7 |
| 24.0 | 9.1 | 8.7 | 8.1 | 7.9 | 6.8 | 6.2 | 6.5 | 5.3 | 4.4 | 8.1 | 7.6 | 7.0 | 6.8 | 6.0 | 5.5 | - | - | 5.1 | 4.5 |
| 26.0 | 8.6 | 8.2 | 7.7 | 7.5 | 6.5 | 6.0 | 6.2 | 5.1 | 4.3 | 7.6 | 7.2 | 6.6 | 6.4 | 5.7 | 5.3 | - | - | 4.9 | 4.4 |
| 28.0 | 8.1 | 7.8 | 7.4 | 7.1 | 6.2 | 5.7 | 6.0 | 4.9 | 4.1 | 7.2 | 6.7 | 6.3 | 6.1 | 5.4 | 5.0 | - | - | 4.7 | 4.2 |
| 30.0 | 7.7 | 7.3 | 7.0 | 6.8 | 6.0 | 5.5 | 5.7 | 4.8 | 4.0 | 6.7 | 6.3 | 5.9 | 5.7 | 5.1 | 4.8 | - | - | 4.5 | 4.1 |
| 32.0 | 7.2 | 6.9 | 6.7 | 6.4 | 5.7 | 5.3 | 5.5 | 4.6 | 3.9 | 6.3 | 5.9 | 5.6 | 5.4 | 4.9 | 4.5 | - | - | 4.3 | 4.0 |
| 34.0 | 6.8 | 6.4 | 6.4 | 6.0 | 5.5 | 5.1 | 5.2 | 4.4 | 3.8 | 5.8 | 5.5 | 5.2 | 5.1 | 4.6 | 4.3 | - | - | 4.1 | 3.8 |
| 36.0 | 6.4 | 6.2 | 6.1 | 5.2 | 5.2 | 4.9 | 5.0 | 4.2 | 3.7 | 5.0 | 5.1 | 4.9 | 4.8 | 4.3 | 4.0 | - | - | 4.0 | 3.7 |
| 38.0 | 6.1 | 5.9 | 5.8 | 4.4 | 5.0 | 4.7 | 4.8 | 4.1 | 3.6 | 4.2 | 4.7 | 4.6 | 4.4 | 4.1 | 3.8 | - | - | 3.8 | 3.5 |
| 40.0 | 5.8 | 5.6 | 5.5 | 3.8 | 4.4 | 4.5 | 4.1 | 3.9 | 3.4 | 3.6 | 4.0 | 4.3 | 3.7 | 3.8 | 3.5 | - | - | 3.6 | 3.3 |
| 42.0 | 5.4 | 5.3 | 5.2 | 3.2 | 3.8 | 4.3 | 3.5 | 3.7 | 3.3 | 3.0 | 3.4 | 3.6 | 3.1 | 3.6 | 3.3 | - | - | 3.4 | 3.2 |
| 44.0 | 5.2 | 5.0 | 4.9 | 2.7 | 3.2 | 3.6 | 3.0 | 3.6 | 3.2 | 2.4 | 2.8 | 3.0 | 2.6 | 3.2 | 3.1 | - | - | 2.8 | 3.0 |
| 46.0 | 4.9 | 4.7 | 4.6 | 2.2 | 2.7 | 3.1 | 2.5 | 3.2 | 3.1 | 1.9 | 2.3 | 2.5 | 2.1 | 2.7 | 2.9 | - | - | 2.4 | 2.8 |
| 48.0 | 4.6 | 4.4 | 4.3 | 1.7 | 2.2 | 2.5 | 2.0 | 2.7 | 3.0 | 1.5 | 1.8 | 2.0 | 1.7 | 2.2 | 2.5 | - | - | 1.9 | 2.7 |
| 50.0 | 4.2 | 4.2 | - | 1.3 | 1.8 | 2.1 | 1.6 | 2.3 | 2.8 | 1.1 | 1.4 | 1.5 | 1.3 | 1.7 | 2.1 | - | - | 1.5 | 2.2 |
| 52.0 | 3.7 | 4.0 | - | 1.0 | 1.4 | 1.6 | 1.3 | 1.9 | 2.3 | - | 1.0 | 1.1 | - | 1.3 | 1.6 | - | - | 1.2 | 1.8 |
| 54.0 | - | - | - | - | 1.0 | 1.2 | - | 1.5 | 1.9 | - | - | - | - | 1.0 | 1.2 | - | - | - | 1.4 |
| 56.0 | - | - | - | - | - | - | - | 1.1 | 1.5 | - | - | - | - | - | - | - | - | - | 1.1 |
| 58.0 | - | - | - | - | - | - | - | - | 1.1 | - | - | - | - | - | - | - | - | - | 1.1 |



DEMAG AC 180

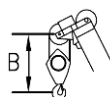
180 TON

Working speeds
Vitesses de travail

Arbeitsgeschwindigkeiten
Werksnelheden

| Mechanisms Mécanismes Antriebe Aandrijvingen | Speeds Vitesses Geschwindigkeiten Snelheden | Rope diameter Diamètre du câble Seildurchmesser Kabeldiameter | Single line pull Effort sur brin simple Zulässiger Seilzug je strang Toegelaten trekkraft / part | Length of ropes Longueur des cables Länge der Seile Kabellänge |
|---|---|--|---|---|
| Main hoist Levage sur flèche Hubwerk 1 Hijslier 1 | 40 / 122 m/min | 23 mm | 91 kN | 300 m |
| Auxiliary hoist Levage sur flèche Hubwerk 2 Hijslier 2 | 40 / 122 m/min | 23 mm | 91 kN | 300 m |
| Slewing gear Orientation Drehwerk Zwenkwerk | 0 – 1.5 RPM | | | |
| Travel speed Vitesse sur route Fahrgeschwindigkeit Rijsnelheid | 0 – 73 / 80 km/h | | | |
| Booming up Relever la flèche Aufwippen Optoppen | -1.3° - +82.5° 85 sec | | | |
| Telescope Téléscoper Teleskopieren Telescoperen | 14.7-24.9m 14.7-35.0m 14.7-60.0m 40 sec 85 sec 250 sec | | | |

Hook Block / Crane hook Crochet mouflé / Crochet simple



Unterflasche / Hakengehänge Kraanblok / Kraanhaak

| Capacity Capacité Tragfähigkeit Capaciteit | Number of sheaves Nombre de poulies Anzahl der Rollen Aantal schijven | Number of lines Nombre de brins Strangzahl Aantal parten | Weight Poids Gewicht Gewicht | "B" |
|---|--|---|---------------------------------------|-------|
| SWL 97 t | 5 | 11 | 1200 kg | 3.0 m |
| SWL 63 t | 3 | 7 | 1050 kg | 3.0 m |
| SWL 28 t | 1 | 3 | 750 kg | 2.7 m |