



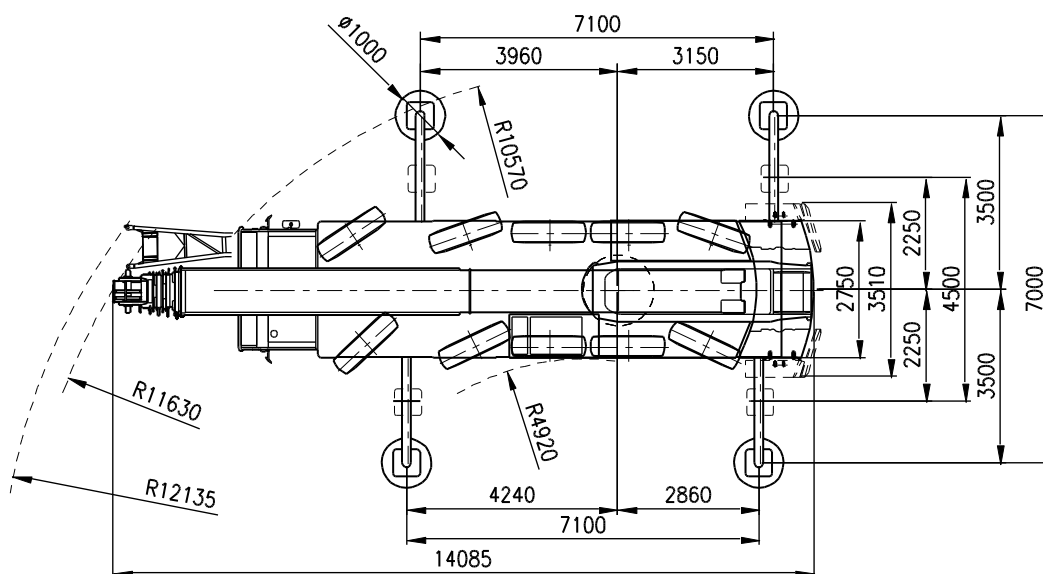
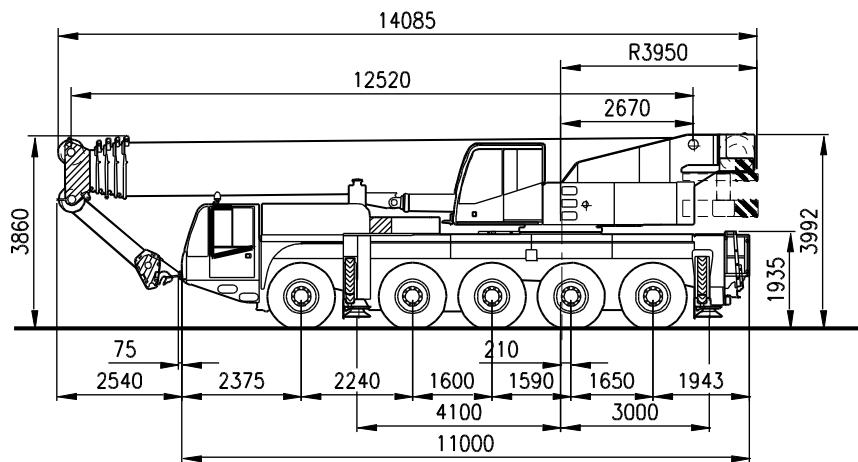
sarens
group

www.sarens.com

DEMAG AC 100

100 TON

1/150



Axle load / Charge par essieu / Achslast / Aslast	: 5 x 12 t	(☐ 13.3 t)
Total weight / Poids total / Gesamtgewicht / Totaal gewicht	: 60 t	(☐ 13.3 t)
Tyres / Pneus / Bereifung / Banden	: 16.00 R 25	





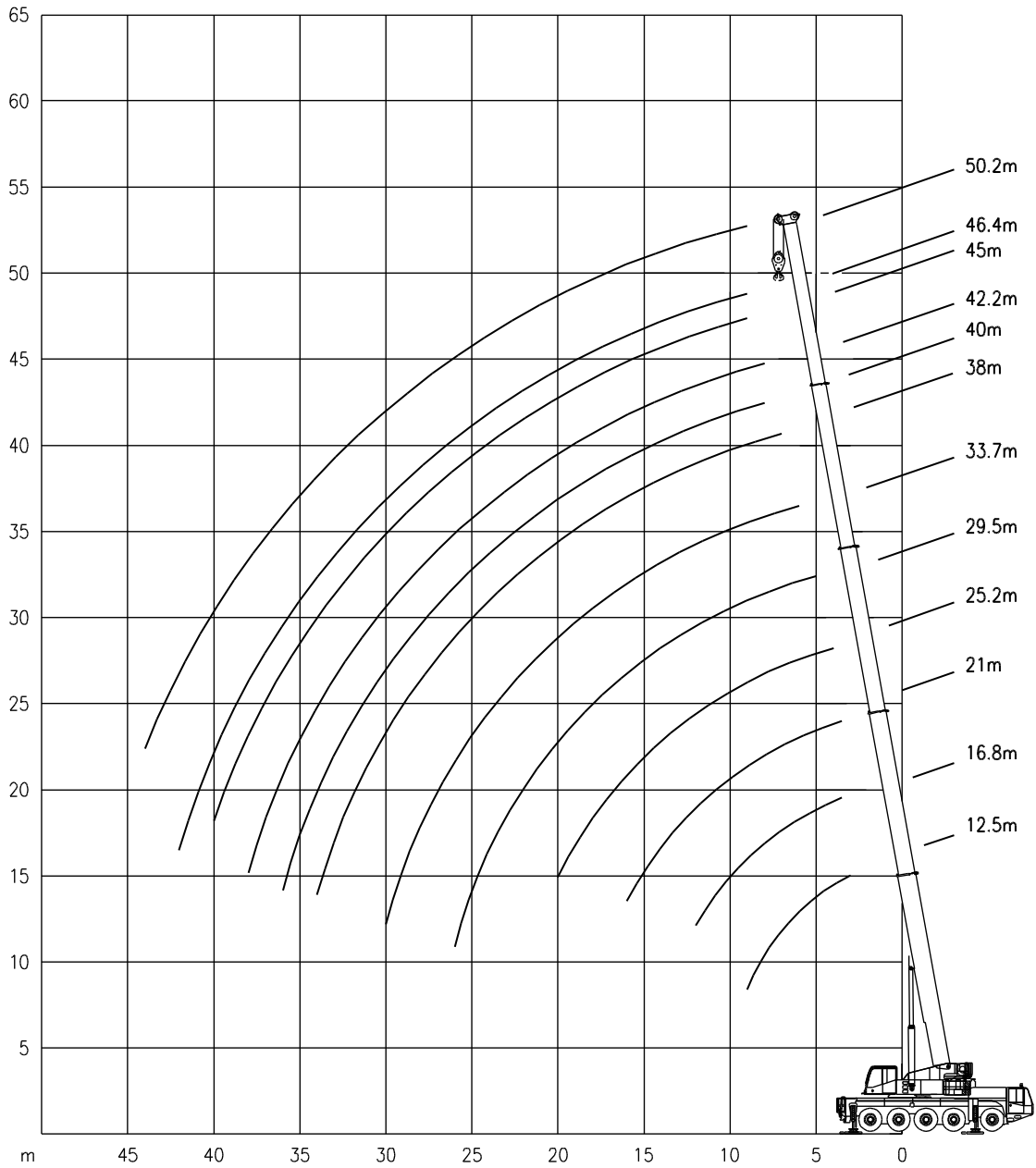
DEMAG AC 100

Working ranges
Portées

100 TON

Arbeitsbereiche
Werkbereich

Ha



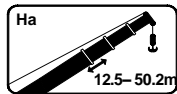


DEMAG AC 100

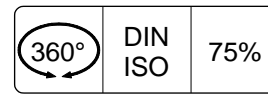
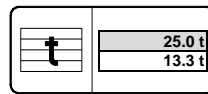
Capacities
Capacités

100 TON

Tragfähigkeiten
Capacités



Ha



	12.5m	16.8m	21.0m	25.2m	29.5m	33.7m	38.0m	40.8m	42.2m	45.0m	46.4m	50.2m
	t	t	t	t	t	t	t	t	t	t	t	t
3.0	100.0*	-	-	-	-	-	-	-	-	-	-	-
3.0	85.5	-	-	-	-	-	-	-	-	-	-	-
3.5	79.2	76.2	73.0	-	-	-	-	-	-	-	-	-
4.0	73.7	70.8	68.3	53.0	-	-	-	-	-	-	-	-
4.5	68.8	66.2	63.8	50.4	-	-	-	-	-	-	-	-
5.0	64.2	62.2	59.8	47.9	41.7	-	-	-	-	-	-	-
6.0	56.2	55.3	53.1	43.5	39.5	33.9	-	-	-	-	-	-
7.0	49.0	49.1	47.8	39.7	36.6	30.9	27.5	-	-	-	-	-
8.0	42.0	42.1	41.6	36.5	34.1	28.4	25.5	16.0	21.0	-	-	-
9.0	36.5	36.6	35.9	33.7	31.9	26.2	23.6	16.0	20.5	13.0	15.4	13.0
10.0	-	30.7	30.1	30.3	30.0	24.2	22.0	16.0	19.8	13.0	15.1	12.5
12.0	-	22.9	23.5	23.5	23.4	20.9	19.2	14.3	18.1	13.0	14.5	12.0
14.0	-	-	18.5	18.8	18.3	18.0	16.9	12.7	16.2	12.3	13.9	11.5
16.0	-	-	15.0	15.4	15.1	14.5	14.6	11.5	14.4	11.3	13.2	11.0
18.0	-	-	-	12.8	13.3	12.0	12.0	10.4	12.5	10.4	12.1	10.5
20.0	-	-	-	10.9	11.3	11.0	10.5	9.5	11.2	9.5	10.8	10.0
22.0	-	-	-	-	9.8	9.9	9.6	8.7	9.6	8.7	9.3	9.2
24.0	-	-	-	-	8.5	8.6	8.7	8.1	8.4	8.0	8.0	8.1
26.0	-	-	-	-	7.5	7.6	7.7	7.5	7.3	7.4	7.0	7.1
28.0	-	-	-	-	-	6.7	6.8	6.8	6.4	6.5	6.1	6.2
30.0	-	-	-	-	-	6.0	6.1	6.1	5.7	5.8	5.3	5.4
32.0	-	-	-	-	-	-	5.4	5.4	5.0	5.1	4.6	4.7
34.0	-	-	-	-	-	-	4.8	4.8	4.4	4.5	4.0	4.1
36.0	-	-	-	-	-	-	-	4.3	3.9	4.0	3.5	3.6
38.0	-	-	-	-	-	-	-	-	3.5	3.5	3.1	3.1
40.0	-	-	-	-	-	-	-	-	-	3.1	2.6	2.7
42.0	-	-	-	-	-	-	-	-	-	-	2.3	2.3
44.0	-	-	-	-	-	-	-	-	-	-	-	2.0
46.0	-	-	-	-	-	-	-	-	-	-	-	1.7

	12.5m	16.8m	21.0m	25.2m	29.5m	33.7m	38.0m	40.8m	42.2m	45.0m	46.4m	50.2m
	t	t	t	t	t	t	t	t	t	t	t	t
3.0	100*	-	-	-	-	-	-	-	-	-	-	-
3.0	85.5	-	-	-	-	-	-	-	-	-	-	-
3.5	79.2	76.2	73.0	-	-	-	-	-	-	-	-	-
4.0	73.7	70.8	68.3	53.0	-	-	-	-	-	-	-	-
4.5	68.2	66.2	63.8	50.4	-	-	-	-	-	-	-	-
5.0	63.4	62.2	59.8	47.9	41.7	-	-	-	-	-	-	-
6.0	52.1	52.3	48.6	43.5	39.5	33.9	-	-	-	-	-	-
7.0	42.7	42.7	39.0	36.8	35.8	30.9	27.5	-	-	-	-	-
8.0	33.2	33.4	33.9	32.3	30.2	28.2	25.5	16.0	21.0	-	-	-
9.0	27.0	27.0	27.8	27.9	25.9	24.3	23.3	16.0	20.5	13.0	15.4	13.0
10.0	-	22.5	23.2	23.6	22.6	21.2	20.3	16.0	19.8	13.0	15.1	12.5
12.0	-	16.6	17.1	17.5	18.1	16.4	15.9	14.3	16.2	13.0	14.5	12.0
14.0	-	-	13.1	13.5	14.1	14.2	14.3	12.7	13.6	12.3	12.8	11.5
16.0	-	-	10.4	10.7	11.3	11.4	11.5	11.5	11.1	11.2	10.6	10.3
18.0	-	-	-	8.7	9.2	9.3	9.5	9.5	9.1	9.2	8.7	8.7
20.0	-	-	-	7.2	7.7	7.8	7.9	8.0	7.5	7.7	7.2	7.2
22.0	-	-	-	-	6.5	6.6	6.7	6.7	6.3	6.4	5.9	6.0
24.0	-	-	-	-	5.5	5.6	5.7	5.7	5.3	5.4	4.9	5.0
26.0	-	-	-	-	4.7	4.7	4.8	4.9	4.4	4.5	4.0	4.1
28.0	-	-	-	-	-	4.0	4.1	4.2	3.7	3.8	3.3	3.4
30.0	-	-	-	-	-	3.4	3.5	3.6	3.1	3.2	2.7	2.8
32.0	-	-	-	-	-	-	3.0	3.0	2.6	2.7	2.2	2.3
34.0	-	-	-	-	-	-	2.5	2.5	2.1	2.2	1.8	1.9
36.0	-	-	-	-	-	-	-	2.1	1.7	1.9	1.4	1.5
38.0	-	-	-	-	-	-	-	-	1.3	1.5	1.1	1.1
40.0	-	-	-	-	-	-	-	-	-	1.1	0.7	0.7

* Over rear / En arrière / Nach hinten / Over achterzijde

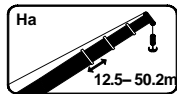


DEMAG AC 100

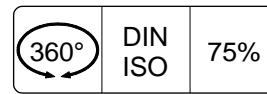
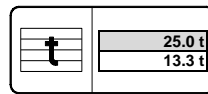
Capacities
Capacités

100 TON

Tragfähigkeiten
Capacités



Ha



m	12.5m	16.8m	21.0m	25.2m	29.5m	33.7m	38.0m	40.8m	42.2m	45.0m	46.4m	50.2m
	t	t	t	t	t	t	t	t	t	t	t	t
3.0	78.9	-	-	-	-	-	-	-	-	-	-	-
3.5	71.2	71.3	70.9	-	-	-	-	-	-	-	-	-
4.0	64.8	64.9	63.7	53.0	-	-	-	-	-	-	-	-
4.5	59.4	59.5	54.9	50.4	-	-	-	-	-	-	-	-
5.0	53.7	53.1	48.1	44.7	41.7	-	-	-	-	-	-	-
6.0	38.3	38.4	39.2	37.8	34.8	32.4	-	-	-	-	-	-
7.0	29.3	29.4	30.1	30.6	29.2	27.2	25.9	-	-	-	-	-
8.0	23.5	23.6	24.2	24.6	24.7	23.3	22.3	16.0	21.0	-	-	-
9.0	19.5	19.5	20.1	20.5	21.1	19.6	19.4	16.0	19.2	13.0	15.4	13.0
10.0	-	16.5	17.0	17.4	17.9	17.7	17.8	16.0	17.0	13.0	15.1	12.5
12.0	-	12.3	12.8	13.1	13.6	13.7	13.8	13.9	13.5	13.0	13.2	12.0
14.0	-	-	10.0	10.3	10.7	10.8	11.0	11.0	10.6	10.7	10.3	10.4
16.0	-	-	8.0	8.3	8.7	8.8	8.9	9.0	8.6	8.7	8.3	8.4
18.0	-	-	-	6.8	7.2	7.3	7.4	7.5	7.1	7.2	6.8	6.9
20.0	-	-	-	5.7	6.1	6.1	6.3	6.3	5.9	6.0	5.7	5.7
22.0	-	-	-	-	5.2	5.2	5.3	5.4	5.0	5.1	4.7	4.8
24.0	-	-	-	-	4.4	4.5	4.6	4.6	4.3	4.4	4.0	4.1
26.0	-	-	-	-	3.8	3.8	3.9	4.0	3.6	3.7	3.4	3.4
28.0	-	-	-	-	-	3.3	3.4	3.4	3.1	3.2	2.8	2.9
30.0	-	-	-	-	-	2.9	3.0	3.0	2.7	2.8	2.4	2.5
32.0	-	-	-	-	-	-	2.6	2.6	2.3	2.4	2.0	2.1
34.0	-	-	-	-	-	-	2.3	2.3	1.9	2.0	1.6	1.7
36.0	-	-	-	-	-	-	-	2.0	1.6	1.7	1.3	1.3
38.0	-	-	-	-	-	-	-	-	1.3	1.4	1.0	1.0
40.0	-	-	-	-	-	-	-	-	-	1.1	0.7	0.7

m	12.5m	16.8m	21.0m	25.2m	29.5m	33.7m	38.0m	40.8m	42.2m	45.0m	46.4m	50.2m
	t	t	t	t	t	t	t	t	t	t	t	t
3.0	76.2	-	-	-	-	-	-	-	-	-	-	-
3.5	68.8	60.9	53.4	-	-	-	-	-	-	-	-	-
4.0	58.4	50.4	45.2	40.9	-	-	-	-	-	-	-	-
4.5	47.2	42.8	39.0	35.8	-	-	-	-	-	-	-	-
5.0	37.8	37.0	34.2	31.6	29.8	-	-	-	-	-	-	-
6.0	26.6	26.8	27.1	25.4	24.4	20.5	-	-	-	-	-	-
7.0	20.2	20.3	21.0	21.1	20.4	19.3	18.0	-	-	-	-	-
8.0	16.0	16.1	16.7	17.1	17.4	16.6	15.9	15.4	14.5	-	-	-
9.0	13.0	13.1	13.6	14.0	14.6	14.4	13.9	13.5	12.6	12.4	11.5	11.1
10.0	-	10.9	11.4	11.8	12.3	12.4	12.2	11.9	11.1	10.9	10.1	9.8
12.0	-	7.9	8.3	8.6	9.1	9.2	9.4	9.4	8.8	8.7	7.9	7.7
14.0	-	-	6.3	6.6	7.0	7.1	7.3	7.3	6.9	7.0	6.3	6.2
16.0	-	-	4.9	5.1	5.6	5.6	5.8	5.8	5.4	5.6	5.0	4.9
18.0	-	-	-	4.1	4.5	4.5	4.7	4.7	4.3	4.5	4.0	4.0
20.0	-	-	-	3.2	3.6	3.7	3.8	3.8	3.5	3.6	3.2	3.2
22.0	-	-	-	-	3.0	3.0	3.1	3.2	2.8	2.9	2.5	2.4
24.0	-	-	-	-	2.4	2.5	2.6	2.6	2.3	2.4	1.9	1.9
26.0	-	-	-	-	2.0	2.0	2.1	2.1	1.8	1.9	1.4	1.4
28.0	-	-	-	-	-	1.6	1.7	1.8	1.3	1.4	1.0	1.0
30.0	-	-	-	-	-	1.2	1.3	1.4	0.9	1.0	-	0.6
32.0	-	-	-	-	-	-	1.0	1.0	-	0.7	-	-
34.0	-	-	-	-	-	-	0.7	0.7	-	-	-	-



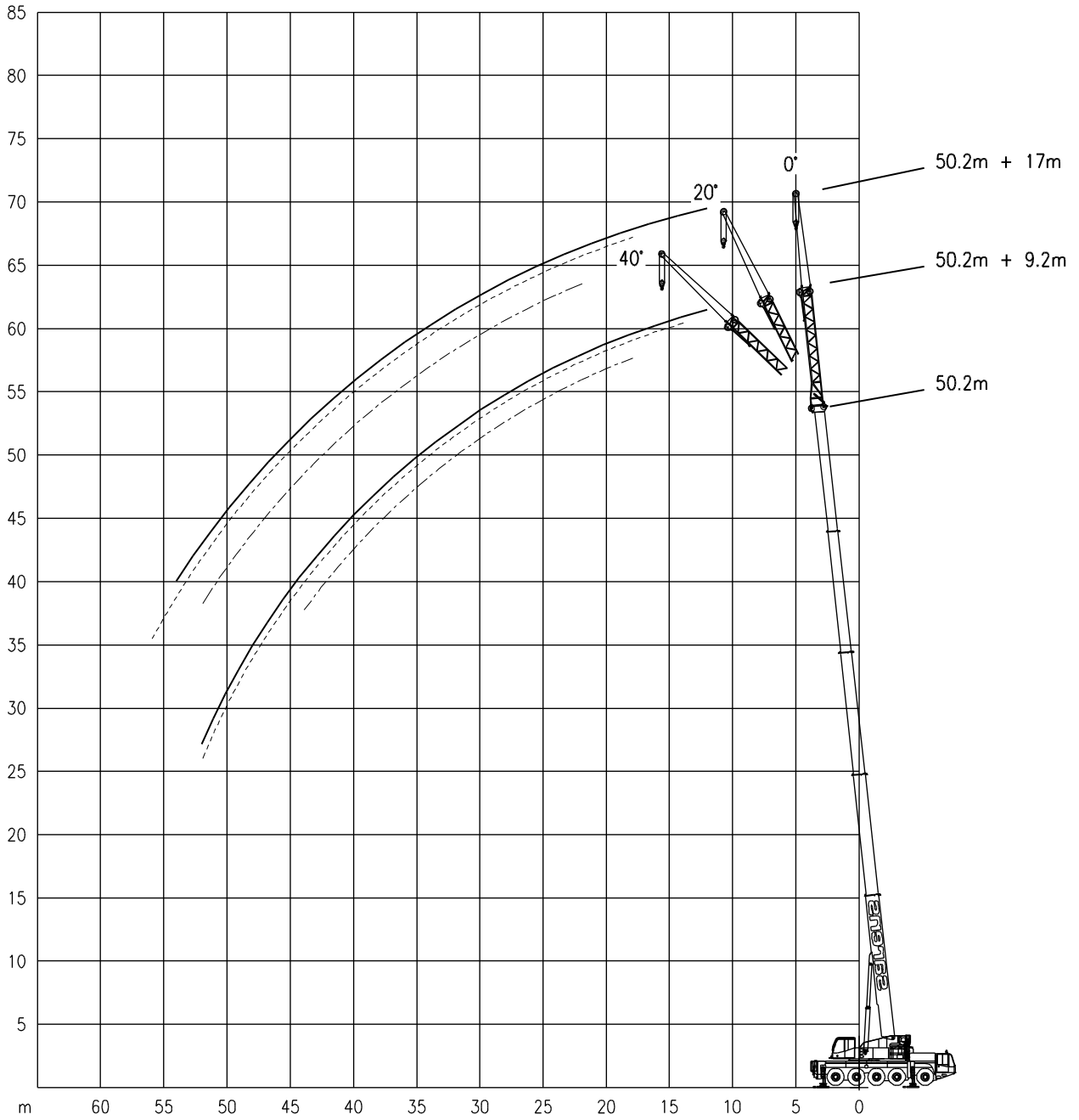
DEMAG AC 100

Working ranges
Portées

100 TON

Arbeitsbereiche
Werkbereich

HaV



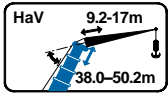


DEMAG AC 100

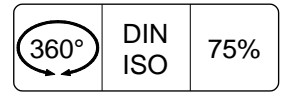
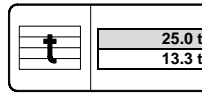
Capacities
Capacités

100 TON

Tragfähigkeiten
Capacités



HaV



m	38.0 m						40.8 m						42.2 m					
	9.2 m			17.0 m			9.2 m			17.0 m			9.2 m			17.0 m		
	0°	20°	40°	0°	20°	40°	0°	20°	40°	0°	20°	40°	0°	20°	40°	0°	20°	40°
7	14.4	-	-	-	-	-	-	-	-	-	-	-	-	-	-	-	-	-
8	14.2	-	-	8.1	-	-	10.8	-	-	-	-	-	-	-	-	-	-	-
9	13.7	-	-	7.8	-	-	10.2	-	-	6.9	-	-	11.7	-	-	7.2	-	-
10	13.1	9.3	-	7.5	-	-	9.7	-	-	6.6	-	-	11.3	-	-	7.0	-	-
12	12.2	8.9	-	7.0	-	-	8.7	7.3	-	6.2	-	-	10.7	8.8	-	6.5	-	-
14	11.3	8.6	7.1	6.5	4.8	-	7.9	6.8	6.1	5.8	-	-	10.0	8.4	7.1	6.1	-	-
16	10.4	8.3	7.0	6.0	4.6	-	7.2	6.4	5.7	5.4	4.3	-	9.3	8.1	6.9	5.7	4.5	-
18	9.7	8.0	6.8	5.6	4.3	3.6	6.6	6.0	5.4	5.0	4.1	-	8.7	7.8	6.7	5.3	4.3	-
20	9.0	7.7	6.6	5.3	4.1	3.5	6.1	5.6	5.1	4.7	3.9	3.3	8.1	7.5	6.5	5.0	4.1	3.4
22	8.3	7.5	6.5	5.0	3.9	3.4	5.7	5.2	4.9	4.4	3.7	3.2	7.5	7.2	6.4	4.7	3.9	3.3
24	7.7	7.1	6.4	4.7	3.7	3.3	5.3	4.9	4.7	4.1	3.5	3.2	7.0	6.9	6.2	4.5	3.7	3.2
26	6.6	6.8	6.3	4.4	3.6	3.2	5.0	4.6	4.5	3.9	3.4	3.1	6.5	6.6	6.0	4.2	3.6	3.1
28	5.7	6.1	6.2	4.2	3.4	3.1	4.7	4.4	4.3	3.6	3.2	3.0	5.9	6.2	5.9	4.0	3.4	3.1
30	4.9	5.2	5.5	4.0	3.3	3.0	4.4	4.1	4.1	3.4	3.0	2.9	5.1	5.5	5.7	3.8	3.3	3.0
32	4.4	4.5	4.7	3.8	3.2	3.0	4.2	3.9	3.9	3.2	2.9	2.8	4.6	4.7	4.9	3.7	3.2	2.9
34	4.2	3.9	4.0	3.6	3.1	2.9	4.0	3.7	3.7	3.0	2.7	2.7	4.3	4.1	4.3	3.5	3.1	2.9
36	3.9	3.7	-	3.5	3.1	2.9	3.8	3.6	3.6	2.8	2.6	2.5	3.8	3.9	3.9	3.4	3.1	2.8
38	3.7	3.6	-	3.0	3.0	2.9	3.6	3.4	3.5	2.6	2.5	2.4	3.3	3.5	3.6	3.1	3.1	2.8
40	3.3	3.4	-	2.6	3.0	2.9	3.3	3.3	-	2.5	2.4	2.4	2.9	3.1	-	2.8	3.1	2.8
42	3.0	3.0	-	2.4	2.5	2.7	2.9	3.0	-	2.4	2.3	2.3	2.6	2.7	-	2.7	2.7	2.8
44	-	-	-	2.3	2.2	-	2.6	2.7	-	2.3	2.2	2.2	2.2	2.3	-	2.4	2.5	2.5
46	-	-	-	2.2	2.1	-	-	-	-	2.2	2.1	-	1.9	2.0	-	2.1	2.4	2.4
48	-	-	-	2.1	2.1	-	-	-	-	2.1	2.1	-	-	-	-	1.9	2.1	-
50	-	-	-	2.0	2.0	-	-	-	-	2.0	2.0	-	-	-	-	1.6	1.8	-
52	-	-	-	-	-	-	-	-	-	1.7	1.8	-	-	-	-	1.4	1.5	-
54	-	-	-	-	-	-	-	-	-	-	-	-	-	-	-	1.2	-	-

m	45.0 m						46.4 m						50.2 m					
	9.2 m			17.0 m			9.2 m			17.0 m			9.2 m			17.0 m		
	0°	20°	40°	0°	20°	40°	0°	20°	40°	0°	20°	40°	0°	20°	40°	0°	20°	40°
9	10.0	-	-	-	-	-	-	-	-	-	-	-	-	-	-	-	-	-
10	9.5	-	-	6.4	-	-	10.3	-	-	-	-	-	-	-	-	-	-	-
12	8.6	-	-	6.1	-	-	9.4	-	-	6.2	-	-	8.4	-	-	5.6	-	-
14	7.8	6.6	-	5.7	-	-	8.7	7.1	-	5.8	-	-	7.9	6.9	-	5.4	-	-
16	7.2	6.2	5.7	5.4	4.3	-	8.1	6.8	6.1	5.5	-	-	7.5	6.4	-	5.2	-	-
18	6.6	5.8	5.4	5.1	4.1	-	7.5	6.5	5.8	5.2	4.1	-	7.1	6.1	5.5	5.0	4.1	-
20	6.2	5.4	5.2	4.8	3.9	-	7.0	6.2	5.5	4.9	4.0	-	6.7	5.7	5.2	4.8	3.9	-
22	5.8	5.1	4.9	4.6	3.8	3.2	6.5	5.8	5.2	4.7	3.8	3.2	6.3	5.4	5.0	4.6	3.8	3.2
24	5.4	4.9	4.7	4.3	3.6	3.1	6.1	5.5	5.0	4.4	3.6	3.1	6.0	5.2	4.8	4.4	3.6	3.1
26	5.1	4.6	4.5	4.0	3.4	3.0	5.7	5.2	4.8	4.2	3.5	3.1	5.7	4.9	4.6	4.2	3.4	3.0
28	4.9	4.4	4.3	3.8	3.3	3.0	5.4	5.0	4.6	4.0	3.3	3.0	5.4	4.7	4.4	4.0	3.3	2.9
30	4.6	4.2	4.1	3.6	3.1	2.9	5.1	4.7	4.4	3.8	3.2	3.0	5.0	4.5	4.2	3.8	3.1	2.9
32	4.4	4.0	3.9	3.4	3.0	2.8	4.6	4.5	4.2	3.6	3.0	2.9	4.5	4.3	4.1	3.6	3.0	2.8
34	4.2	3.9	3.8	3.2	2.8	2.7	4.0	4.2	4.1	3.5	2.9	2.9	3.9	4.1	4.0	3.4	2.9	2.7
36	3.8	3.8	3.6	3.0	2.7	2.6	3.4	3.7	3.9	3.3	2.8	2.8	3.4	3.7	3.8	3.2	2.8	2.7
38	3.3	3.5	3.5	2.8	2.6	2.5	3.0	3.2	3.3	3.2	2.7	2.7	2.9	3.2	3.3	3.0	2.7	2.6
40	2.9	3.1	3.2	2.7	2.5	2.4	2.6	2.8	2.9	2.8	2.6	2.6	2.5	2.7	2.9	2.7	2.6	2.5
42	2.5	2.7	-	2.6	2.3	2.3	2.2	2.4	2.5	2.4	2.6	2.5	2.1	2.3	2.5	2.3	2.5	2.5
44	2.2	2.3	-	2.4	2.3	2.2	1.9	2.0	-	2.1	2.4	2.5	1.8	2.0	2.1	2.0	2.4	2.4
46	1.9	2.0	-	2.1	2.2	2.1	1.6	1.7	-	1.8	2.1	2.3	1.5	1.7	-	1.7	2.0	2.3
48	1.7	1.7	-	1.8	2.1	2.1	1.3	1.4	-	1.5	1.8	1.9	1.2	1.4	-	1.4	1.7	1.9
50	-	-	-	1.6	1.8	-	1.1	1.1	-	1.3	1.5	-	1.0	1.1	-	1.2	1.4	1.6
52	-	-	-	1.3	1.5	-	-	-	-	1.0	1.2	-	0.8	0.9	-	0.9	1.2	1.3
54	-	-	-	1.1	1.3	-	-	-	-	0.8	1.0	-	-	-	-	0.7	0.9	-
56	-	-	-	1.0	1.1	-	-	-	-	0.6	0.8	-	-	-	-	-	0.7	-

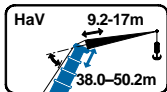


DEMAG AC 100

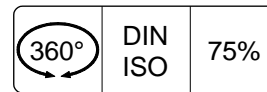
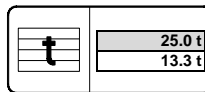
Capacities
Capacités

100 TON

Tragfähigkeiten
Capacités



HaV



m	38.0 m						40.8 m						42.2 m					
	9.2 m			17.0 m			9.2 m			17.0 m			9.2 m			17.0 m		
	0°	20°	40°	0°	20°	40°	0°	20°	40°	0°	20°	40°	0°	20°	40°	0°	20°	40°
7	14.4	-	-	-	-	-	-	-	-	-	-	-	-	-	-	-	-	-
8	14.2	-	-	8.1	-	-	10.8	-	-	-	-	-	-	-	-	-	-	-
9	13.7	-	-	7.8	-	-	10.2	-	-	6.9	-	-	11.7	-	-	7.2	-	-
10	13.1	9.3	-	7.5	-	-	9.7	-	-	6.6	-	-	11.3	-	-	7.0	-	-
12	12.2	8.9	-	7.0	-	-	8.7	7.3	-	6.2	-	-	10.7	8.8	-	6.5	-	-
14	11.3	8.6	7.1	6.5	4.8	-	7.9	6.8	6.1	5.8	-	-	10.0	8.4	7.1	6.1	-	-
16	10.0	8.3	7.0	6.0	4.6	-	7.2	6.4	5.7	5.4	4.3	-	9.3	8.1	6.9	5.7	4.5	-
18	8.3	8.0	6.8	5.6	4.3	3.6	6.6	6.0	5.4	5.0	4.1	-	8.3	7.8	6.7	5.3	4.3	-
20	6.8	7.5	6.6	5.3	4.1	3.5	6.1	5.6	5.1	4.7	3.9	3.3	7.0	7.5	6.5	5.0	4.1	3.4
22	5.9	6.2	6.5	5.0	3.9	3.4	5.7	5.2	4.9	4.4	3.7	3.2	6.2	6.4	6.4	4.7	3.9	3.3
24	5.6	5.1	5.5	4.7	3.7	3.3	5.3	4.9	4.7	4.1	3.5	3.2	5.3	5.3	5.7	4.5	3.7	3.2
26	4.9	4.7	4.6	4.1	3.6	3.2	4.9	4.6	4.5	3.9	3.4	3.1	4.5	4.9	4.7	4.2	3.6	3.1
28	4.1	4.4	4.4	3.7	3.4	3.1	4.1	4.4	4.3	3.6	3.2	3.0	3.7	4.1	4.4	3.9	3.4	3.1
30	3.5	3.8	4.0	3.4	3.3	3.0	3.5	3.8	4.0	3.4	3.0	2.9	3.1	3.4	3.7	3.4	3.3	3.0
32	3.0	3.2	3.4	3.2	2.9	3.0	3.0	3.2	3.4	3.2	2.9	2.8	2.6	2.9	3.0	2.8	3.1	2.9
34	2.5	2.7	2.8	2.8	2.8	2.8	2.5	2.7	2.9	2.7	2.7	2.7	2.1	2.4	2.5	2.4	2.9	2.9
36	2.1	2.3	-	2.4	2.7	2.7	2.1	2.3	2.4	2.3	2.6	2.5	1.7	1.9	2.0	2.0	2.4	2.8
38	1.8	1.9	-	2.0	2.4	2.6	1.7	1.9	2.0	1.9	2.3	2.4	1.3	1.5	1.6	1.6	2.0	2.3
40	1.4	1.6	-	1.7	2.0	2.2	1.4	1.6	-	1.6	2.0	2.2	1.0	1.2	-	1.3	1.7	1.9
42	1.2	1.2	-	1.4	1.7	1.8	1.1	1.3	-	1.3	1.6	1.8	0.8	0.9	-	1.0	1.3	1.6
44	-	-	-	1.1	1.4	-	0.9	1.0	-	1.1	1.3	1.5	-	0.6	-	0.7	1.0	1.2
46	-	-	-	0.9	1.1	-	-	-	-	0.9	1.1	-	-	-	-	-	0.8	0.9
48	-	-	-	0.7	0.9	-	-	-	-	0.7	0.8	-	-	-	-	-	-	-
50	-	-	-	-	0.6	-	-	-	-	-	0.6	-	-	-	-	-	-	-

m	45.0 m						46.4 m						50.2 m					
	9.2 m			17.0 m			9.2 m			17.0 m			9.2 m			17.0 m		
	0°	20°	40°	0°	20°	40°	0°	20°	40°	0°	20°	40°	0°	20°	40°	0°	20°	40°
9	10.0	-	-	-	-	-	-	-	-	-	-	-	-	-	-	-	-	-
10	9.5	-	-	6.4	-	-	10.3	-	-	-	-	-	-	-	-	-	-	-
12	8.6	-	-	6.1	-	-	9.4	-	-	6.2	-	-	8.4	-	-	5.6	-	-
14	7.8	6.6	-	5.7	-	-	8.7	7.1	-	5.8	-	-	7.9	6.9	-	5.4	-	-
16	7.2	6.2	5.7	5.4	4.3	-	8.1	6.8	6.1	5.5	-	-	7.5	6.4	-	5.2	-	-
18	6.6	5.8	5.4	5.1	4.1	-	7.5	6.5	5.8	5.2	4.1	-	7.1	6.1	5.5	5.0	4.1	-
20	6.2	5.4	5.2	4.8	3.9	-	7.0	6.2	5.5	4.9	4.0	-	6.7	5.7	5.2	4.8	3.9	-
22	5.8	5.1	4.9	4.6	3.8	3.2	5.9	5.8	5.2	4.7	3.8	3.2	5.6	5.4	5.0	4.6	3.8	3.2
24	5.3	4.9	4.7	4.3	3.6	3.1	4.9	5.4	5.0	4.4	3.6	3.1	4.7	5.2	4.8	4.4	3.6	3.1
26	4.4	4.6	4.5	4.0	3.4	3.0	4.1	4.5	4.8	4.2	3.5	3.1	3.8	4.3	4.6	3.9	3.4	3.0
28	3.7	4.1	4.3	3.8	3.3	3.0	3.3	3.8	4.1	3.5	3.3	3.0	3.2	3.6	3.9	3.3	3.3	2.9
30	3.1	3.4	3.7	3.3	3.1	2.9	2.7	3.1	3.4	2.9	3.2	3.0	2.6	3.0	3.3	2.7	3.1	2.9
32	2.6	2.9	3.1	2.8	3.0	2.8	2.2	2.5	2.8	2.4	3.0	2.9	2.1	2.5	2.7	2.2	2.9	2.8
34	2.1	2.4	2.5	2.3	2.8	2.7	1.7	2.0	2.2	2.0	2.6	2.9	1.7	2.0	2.2	1.8	2.4	2.7
36	1.7	1.9	2.1	1.9	2.4	2.6	1.3	1.6	1.8	1.6	2.1	2.5	1.3	1.6	1.8	1.4	2.0	2.4
38	1.3	1.5	1.7	1.6	2.0	2.3	1.0	1.2	1.4	1.2	1.7	2.1	0.9	1.2	1.3	1.1	1.6	2.0
40	1.0	1.2	1.3	1.2	1.6	1.9	0.7	0.9	1.0	0.9	1.4	1.7	0.6	0.8	1.0	0.8	1.3	1.6
42	0.7	0.9	-	1.0	1.3	1.6	-	-	0.7	0.6	1.0	1.3	-	-	0.7	-	1.0	1.3
44	-	0.6	-	0.7	1.0	1.2	-	-	-	-	0.7	1.0	-	-	-	-	0.7	0.9
46	-	-	-	-	0.8	0.9	-	-	-	-	-	0.7	-	-	-	-	-	0.6
48	-	-	-	-	-	0.7	-	-	-	-	-	-	-	-	-	-	-	-



DEMAG AC 100

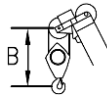
100 TON

Working speeds
Vitesses de travail

Arbeitsgeschwindigkeiten
Werksnelheden

Mechanisms Mécanismes Antriebe Aandrijvingen	Speeds Vitesses Geschwindigkeiten Snelheden	Rope diameter Diamètre du câble Seildurchmesser Kabeldiameter	Single line pull Effort sur brin simple Zulässiger Seilzug je Strang Toegelaten trekkracht per part	Length of ropes Longueur des câbles Länge der Seile Kabellengte
Main hoist Levage sur flèche Hubwerk 1 Hijslier 1	60-110m/min	21 mm	72 kN	240 m
Auxiliary hoist Levage sur fléchette Hubwerk 2 Hijslier 2	60-110 m/min	21 mm	72 kN	240 m
Slewing gear Orientation Drehwerk Zwenkwerk	0 - 1,7 RPM 0 - 1,7 t/min 0 - 1,7U/min 0 - 1,7 tpm			
Travel speed Vitesse sur route Fahrgeschwindigkeit Rijsnelheid	85 km/h			
Booming up Relever la flèche Aufwippen Optoppen	-1.8° - +82° -1.8° - +82° -1.8° - +82° -1.8° - +82°	55s		
Telescope Téléscoper Teleskopieren Telescoperen	12.5 - 50.2m	300s		

Hook block/Crane hook
Crochet-mouflé/Crochet simple



Unterflasche/Hakengehänge
Kraanblok/Kraanhaak

Capacity / Capacité Tragfähigkeit / Capaciteit	Number of sheaves / Nombre de poulies Anzahl der Rollen / Aantal schijven	Number of lines / Nombre de brins Strangzahl / Aantal parten	Weight / Poids Gewicht / Gewicht	"B"
63t	3	7	700 kg	1.9 m
32t	1	3	550 kg	1.8 m