



sarens
norway

Sarens Offshore Thruster exchange



Sarens has been awarded the jobs of lifting and lowering thruster assemblies during installation and maintenance.

Engineering:

- Design of lifting arrangement.
- Operation manual.

Equipment:

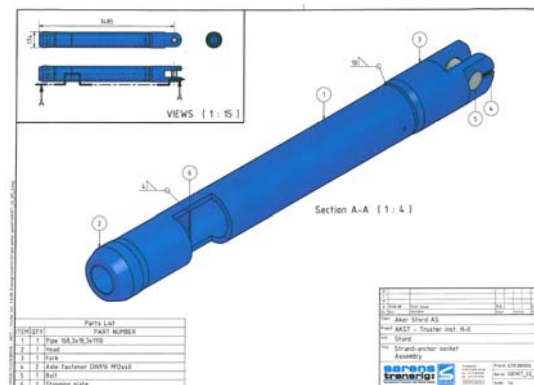
- 6 pc 45 ton Strand Jacks.
- 2 pc 100 ton Strand Jacks
- Supply of special anchor assembly

Personnel:

- 1 operator
- 1 supervisor

Customer:

- Aker Drilling through Aker Stord



nothing too heavy, nothing too high

