



**sarens**  
norway

## Sarens Offshore Tank exchange



Sarens has been awarded the job of supplying equipment and personnel for of lifting and lowering heat exchanger tank replacement.

### Engineering:

- Design of lifting arrangement.
- Operation manual.
- User manual.

### Equipment:

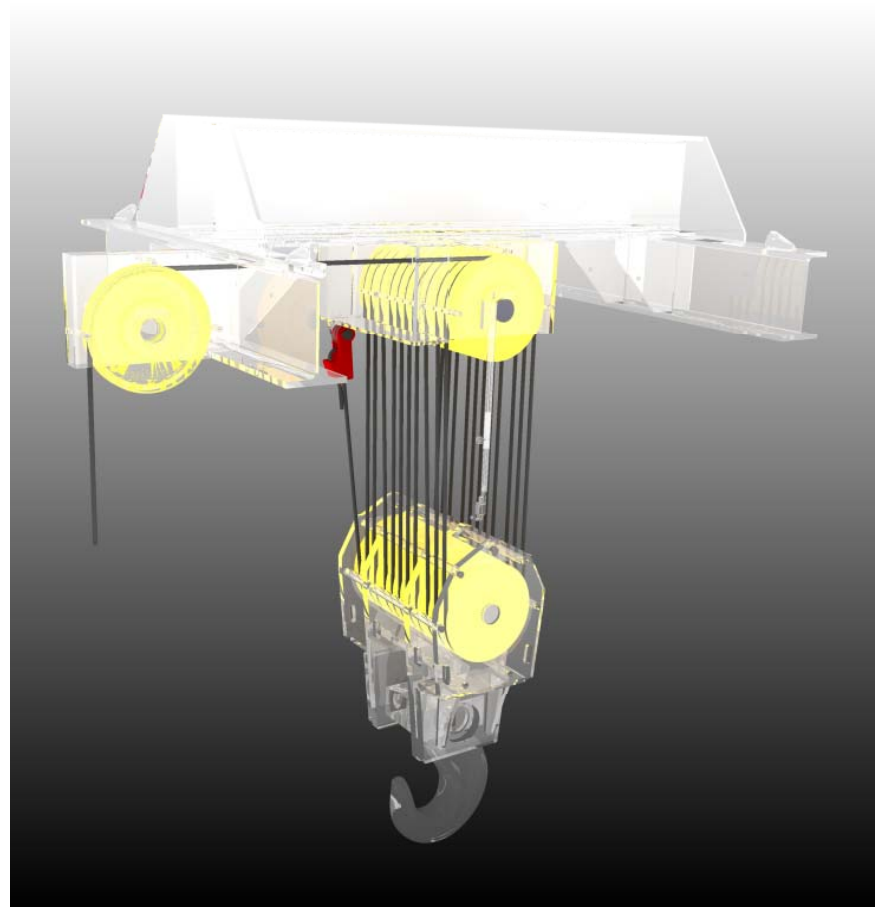
- 1 pc 200 ton Hook block.
- 2 pc 700m 23mm lifting wires.
- Supply of special designed top frame with sheave assembly.

### Personnel:

- 1 supervisor night /day

### Customers:

- Aibel through K.Lund Offshore.



nothing too heavy, nothing too high

