

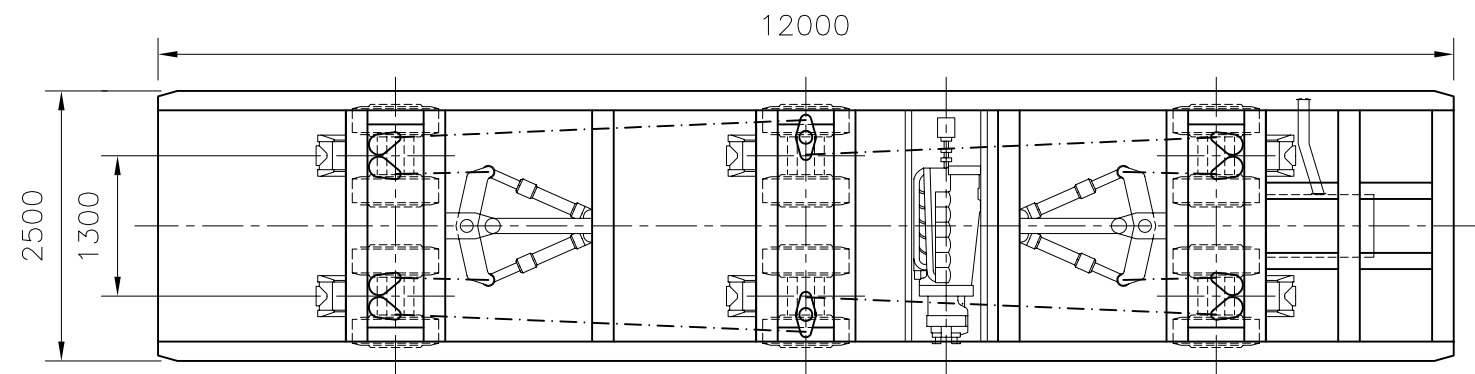
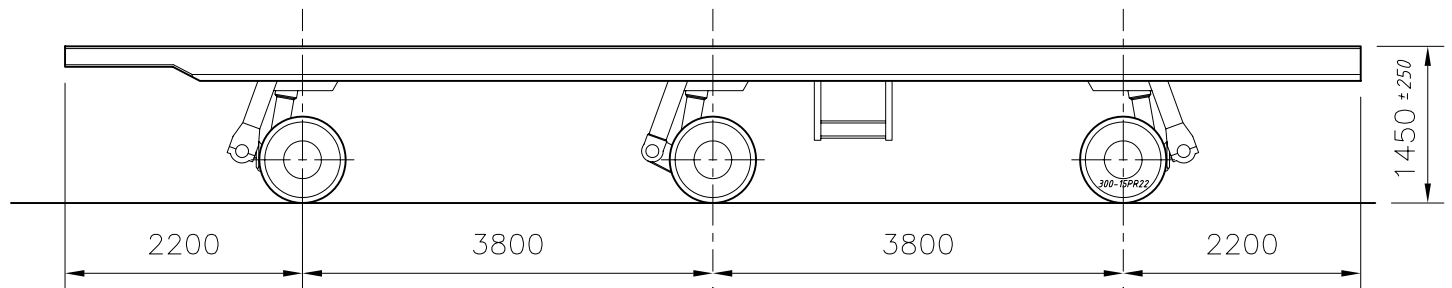
Equipment: Kamag 1603 HS2 (fleet 713-001)
LOCATION: Belgium



Subject to prior sale

- MAKE	:	Kamag
- TYPE	:	1603 HS2
- YEAR	:	
- SERIAL	:	11-09370
- TECHNICAL DETAIL	:	See datasheet below

PAYLOAD : 69t
 DEAD WEIGHT : 15t



REV.	DESCRIPTION	BY	DATE
E			
D			
C			
B			
A	Verwijderen Kabine	K.E.	29/09/94

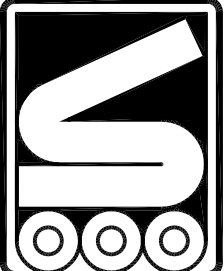
NOTES

DRAWN
KE

DATE
14-03-94

SCALE
1/100

TITLE: 713 - KAMAG TYPE 1603
3 AXLES



sarens n.v./s.a.
 Autoweg 10 - B-1861 WOLVERTEM - BELGIUM
 Tel.: 052/30 01 51 - Fax : 052/30 32 95

DWG No.
r713-1.dwg

PAGE
1 / 1